

Valid from 1 April 2023

# PRODUCT CATALOGUE

SYSTEMS FOR LOCAL EXHAUST VENTILATION - FANS - ATEX - AUTOMATICS  
HIGH VACUUM - EXTRACTION ARMS - FILTERS - WELDING BOOTHS - HOSES



CLEAN AIR - PURE SENSE

[www.vent24.com.pl](http://www.vent24.com.pl)

e-mail: [techvent24@gmail.com](mailto:techvent24@gmail.com) - Phone.: (+48) 799 923 945



# **GEOVENT**

## Clean air – Pure sense

GEOVENT A/S is a dynamic company specialising in development and production of components and systems for advanced industrial ventilation. Since 1968 we have earned our reputation as being pioneers in this field.

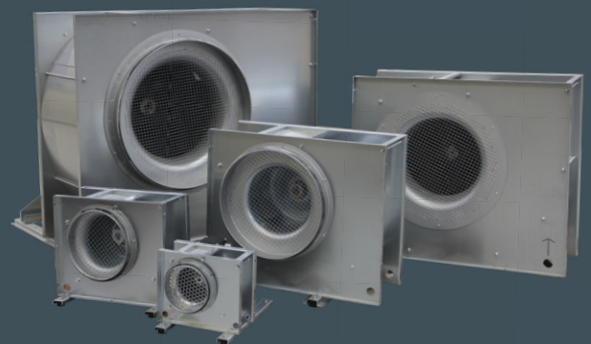
GEOVENT manufactures local exhaust ventilation and process extraction for industry, defence, power plants, technical schools, laboratories, off-shore, fire- and emergency departments and auto repair shops.

All our products live up to statutory requirements for effective and environmentally safe extraction.

We focus on our customers' demands for functional and effective ventilation.

GEOVENT offers fast delivery of both smaller and larger complete ventilation solutions. To be able to do this, we keep stock of a wide ranges of pre produced components and have a versatile and modern factory.

We take pride in a dedicated staff of competent and experienced employees who know it is important to satisfy our customers and to meet the deadline. Our products are sold via professional distributors in many countries.



Medlem af  
**Dansk Ventilation**

Brancheforening for godt indeklima

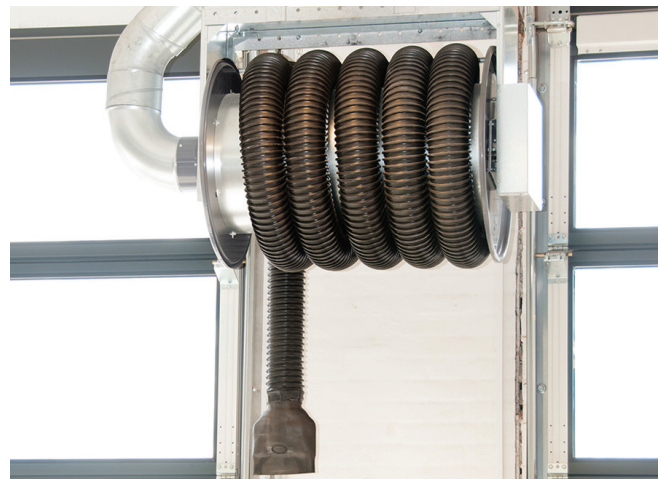
# Table of Content

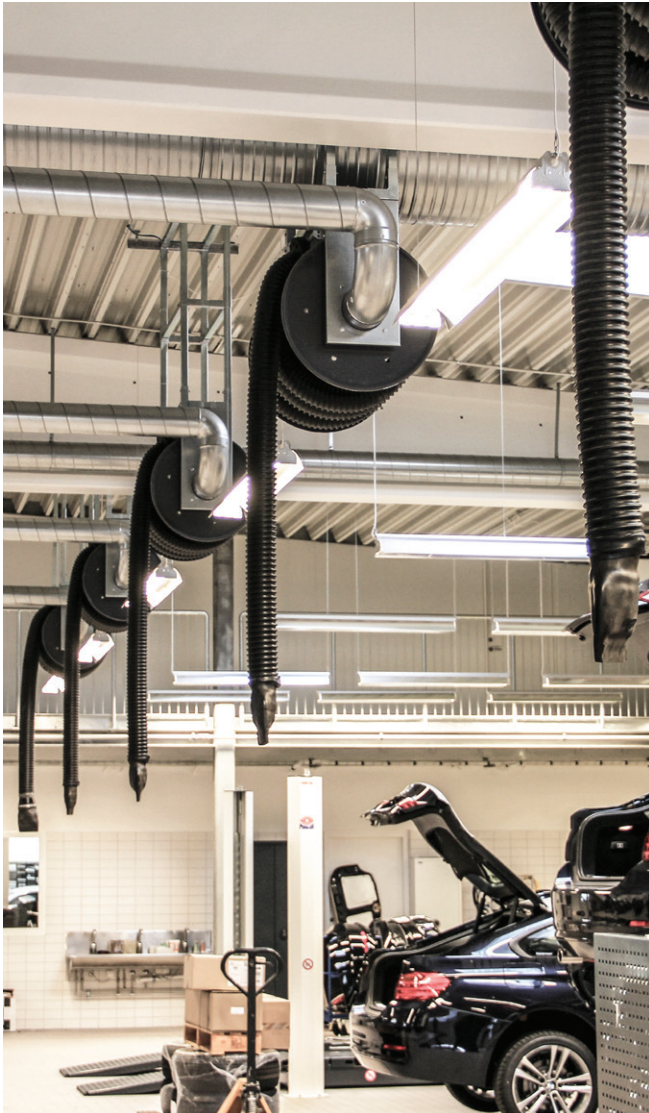
<b>Exhaust fumes</b>	
Hose reels	4
Channel duct	10
Spring balancer	13
Nozzles	14
Extraction for emergency vehicles	19
Extraction hood	22
<b>Extraction Arms</b>	
WING arm	30
COMPACT arm	31
ASA 3 and 4 arm	32
ESA arm	34
MINI arm	35
FLEXI arm	37
PERMA arm	39
<b>Filters</b>	
Oil mist filters	48
Geofilter GFO 500	49
Filters for dust, welding and more	50
GeoFilter GFC	52
GeoFilter GFB2	54
GeoFilter GFB2 W3	56
Geofilter GFB2 Tower	58
Filter media	60
GeoFilter GFH and GFH PLUS	62
<b>Fans</b>	
LSFG/MSFG 146-250	64
LEF/MEF 250-630	66
LEF 800-1000	70
Sound boxes for fans	72
Accessories for fans	73
MSQ and MHF fans	75
Plastic fans	76
Portable fans	80
EC-fans	82
<b>Automatics</b>	
Automatics for fans	89
Frequency Inverters	91
<b>High Vacuum</b>	
HVU Lite / HVU	98
HVU Solo	101
Accessories for High Vacuum	102
HVU duct and fittings	105
<b>ATEX</b>	
ATEX fan	108
ATEX filters and High Vacuum	114
ATEX extraction arms	115
<b>Workplace design</b>	
Welding booths and welding curtain	118
Grinding	122
Welding table	122
Smoking cabin	122
Spray booth	122
<b>Air Handling Units - GRTU</b>	
GRTU roof top unit	124
GRTU accessories	124
<b>Hoses and accessories</b>	
Hoses	127
Accessories	130
Ducts and bends	131
<b>Sales- and delivery terms</b>	
Sales and delivery terms	134
Guide for point extraction	135

# HOSE REEL GTE/GTS



Over the years Geovent has built a considerable know-how in the field of repair shop health and safety. Shown in the photos are results of complete extraction installations in auto repair shops. Among other things Geovent has supplied hose reels for exhaust extraction, general ventilation and welding extraction. The result is a safer working environment for the mechanics and leaves the customers with an impression of a professional and well run repair shop.





The hose reels are used for exhaust extraction in garages or repair shops. The hose reel is always available and there are no hoses lying on the floor.

Geovent type GTS (spring) or GTE (electrical), is a series of hose reels based on a joint platform, which means great quality and quick delivery time, and furthermore, makes it easy to upgrade from spring to electrical – should the need occur.

The hose reels come as standard in widths of 1.000 mm (750 and 1.400mm upon request), and fits  $\varnothing 80$ ,  $\varnothing 100$ ,  $\varnothing 125$ ,  $\varnothing 150$  and  $\varnothing 200$  mm hose, in lengths up to 10 m (15 m upon request).

Hose reel GTE is supplied with a strong motor and wireless remote control for improved operating comfort.

The GTS, is supplied with a steel spring. The spring in the hose reel GTS works the same way as a blind (pull down, and wait for the lock to settle).

The hose reel is solidly built, with a construction of galvanized and powder coated parts, to ensure long time permanence. A spherical ball bearing assures trouble-free and easy operation.



## Hose reel GTE - electric and wireless remote



Electric hose reel with wireless remote control.  $\varnothing$ 160 mm nipple and 1x 230V. With hose but without nozzle.



Electric hose reel GTE-200 with wireless remote control.  $\varnothing$ 200 mm nipple. With hose, but without nozzle.



Electric hose reel GTE-250 with wireless remote control.

### Hose reel GTE - width 750 mm

Art. No.	Description
04-760	Hose reel GTE-750-05-080
04-761	Hose reel GTE-750-07-080
04-762	Hose reel GTE-750-10-080
04-763	Hose reel GTE-750-05-100
04-764	Hose reel GTE-750-07-100
04-764A	Hose reel GTE-750-10-100
04-765A	Hose reel GTE-750-05-125
04-765	Hose reel GTE-750-07-125
04-767	Hose reel GTE-750-05-150
04-766	Hose reel GTE-750-07-150

### Hose reel GTE - width 1000 mm

Art. No.	Description
04-714	Hose reel GTE-1000-05-080
04-715	Hose reel GTE-1000-07-080
04-716	Hose reel GTE-1000-10-080
04-717	Hose reel GTE-1000-05-100
04-718	Hose reel GTE-1000-07-100
04-719	Hose reel GTE-1000-10-100
04-720	Hose reel GTE-1000-05-125
04-721	Hose reel GTE-1000-07-125
04-722	Hose reel GTE-1000-10-125
04-723	Hose reel GTE-1000-05-150
04-724	Hose reel GTE-1000-07-150
04-725	Hose reel GTE-1000-10-150

### Hose reel GTE - width 1400 mm

Art. No.	Description
04-730	Hose reel GTE-1400-15-100
04-731	Hose reel GTE-1400-15-125
04-732	Hose reel GTE-1400-15-150
04-735	Hose reel GTE-1400-05-200
04-736	Hose reel GTE-1400-07-200
04-737	Hose reel GTE-1400-10-200
04-738	Hose reel GTE-1400-15-200

### Hose reel GTE - width 1700 mm

With electric winch and wireless remote control. Hose is to be purchased in the desired length and type. * Q = about 2.500 m <sup>3</sup> /h. Width of reel: 1.700 mm. High temperature application.	
Art. No.	Description
04-739	Hose reel GTE-1700-xx-250

\*Price excludes the hose, which is to be purchased separately according to the application.

## Hose reel GTS - spring operated and with clicklock



Spring operated hose reel with click-lock.  $\varnothing 160$  mm nipple connection, with hose, but without nozzle.

The GTS hose reel is mounted with a hanging hose piece so that the hose can be reached by the operator.

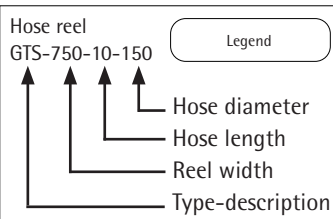
Note that the GTS-750-10-100 will have a minimum of 2.5 metres of hose hanging down.

### Hose reel GTS - width 750 mm

Art. No.	Description
04-750	Hose reel GTS-750-05-080
04-751	Hose reel GTS-750-07-080
04-752	Hose reel GTS-750-10-080
04-753	Hose reel GTS-750-05-100
04-754	Hose reel GTS-750-07-100
04-754A	Hose reel GTS-750-10-100
04-755	Hose reel GTS-750-05-125
04-755A	Hose reel GTS-750-07-125
04-756	Hose reel GTS-750-05-150
04-756A	Hose reel GTS-750-07-150

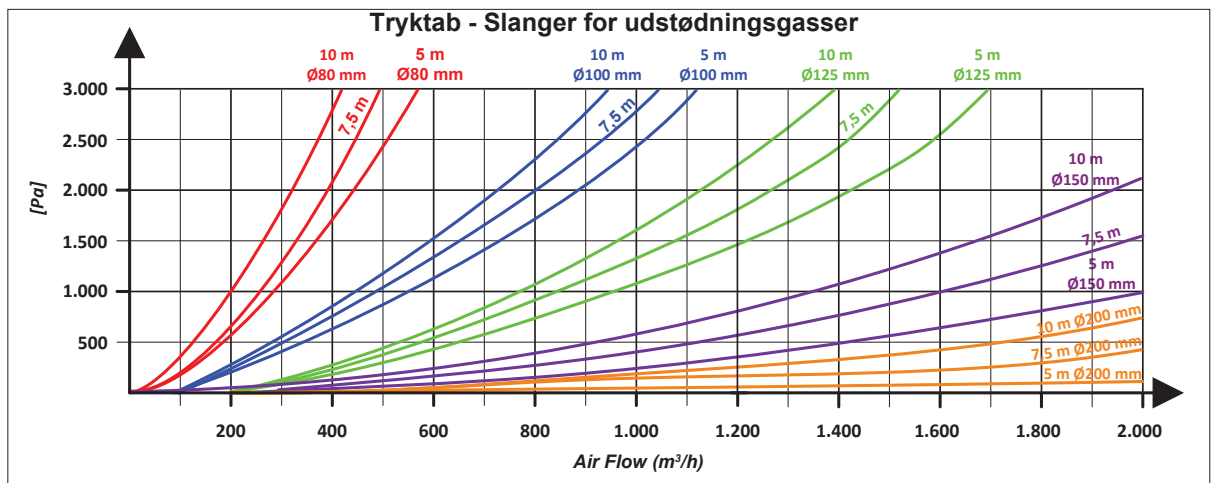
### Hose reel GTS - width 1000 mm

Art. No.	Description
04-700	Hose reel GTS-1000-05-080
04-701	Hose reel GTS-1000-07-080
04-702	Hose reel GTS-1000-10-080
04-703	Hose reel GTS-1000-05-100
04-704	Hose reel GTS-1000-07-100
04-705	Hose reel GTS-1000-10-100
04-706	Hose reel GTS-1000-05-125
04-707	Hose reel GTS-1000-07-125
04-708	Hose reel GTS-1000-10-125
04-709	Hose reel GTS-1000-05-150
04-710	Hose reel GTS-1000-07-150
04-711	Hose reel GTS-1000-10-150



By default all GTS hose reel have hose stop included.  
For other combinations please enquire.

## Pressure drop - Hose reel



## Accessories for hose reel type GTE and GTS



Art. No.	Description
----------	-------------

04-293	Switch for automatic start/stop of fan or damper activation.
--------	--

## Remote control for hose reel



Art. No.	Description
----------	-------------

04-680	Remote control for hose reel type GTE - 1 channel (for one reel)
--------	--

### Remote controls for old hose reels



04-621	Remote control 434 MHz. 2001-2005
--------	-----------------------------------



04-627	Remote control 433,42 MHz. 2005-2007
--------	--------------------------------------



04-624	Remote control 2007
--------	---------------------



04-631	Remote control 433,92 MHz. 2008 -2016
--------	---------------------------------------



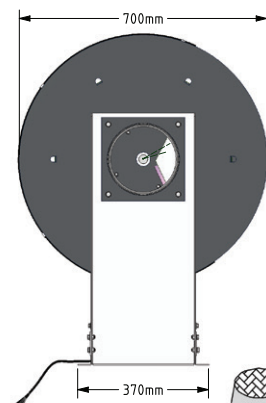
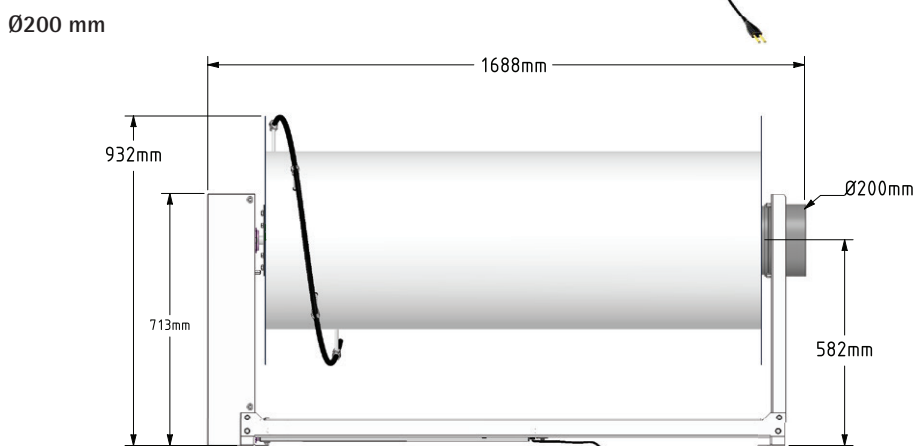
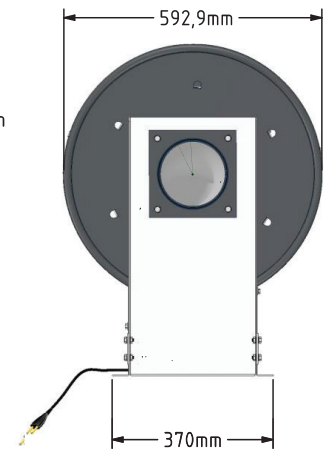
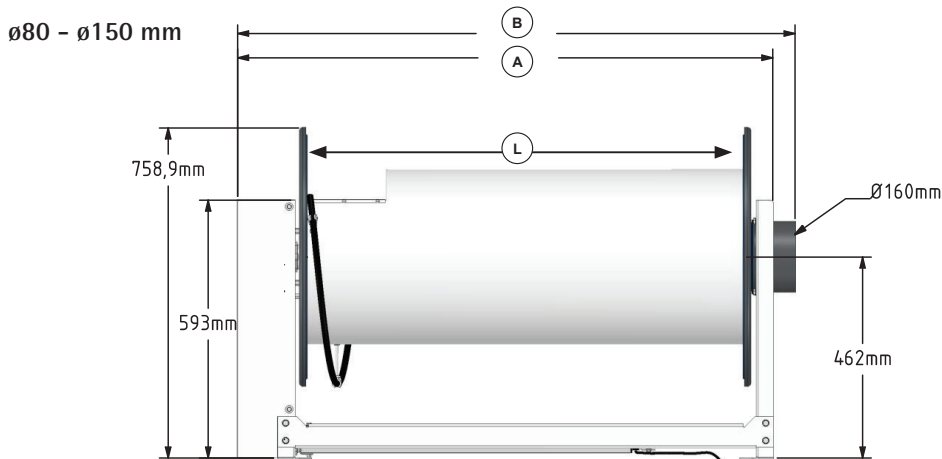
Fx. 04-760H

Fan MSQ for direct mounting on the side of the hose reel.  
See Fans section of this catalogue

Hose reel GTE is available with 2-button pendant station, specify the reel size you need, and add H after the art.no. Eg. 04-760H



## Dimensions - Hose reel



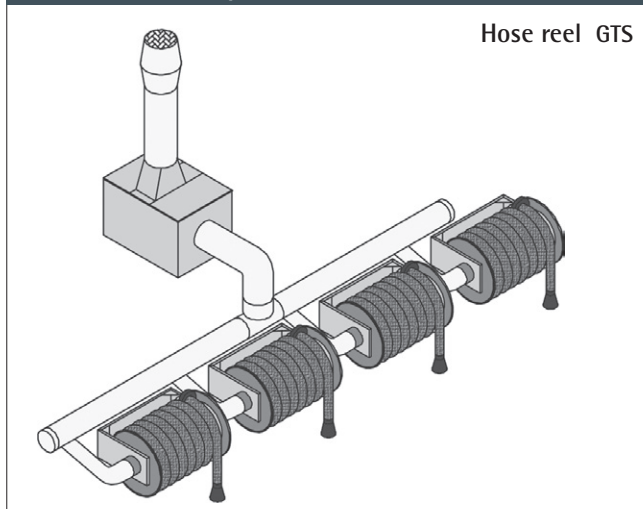
Hose reel ø80, ø100, ø125, ø150 mm, ø250 mm:

GTE/GTS	L	A	B
Hose reel 750 mm	750 mm	980 mm	1031 mm
Hose reel 1000 mm	1.000 mm	1.230 mm	1.281 mm
Hose reel 1400 mm	1.400 mm	1.630 mm	1.681 mm
Hose reel 1700 mm	1.400 mm	1.635 mm	1.683 mm

Hose reel GTE

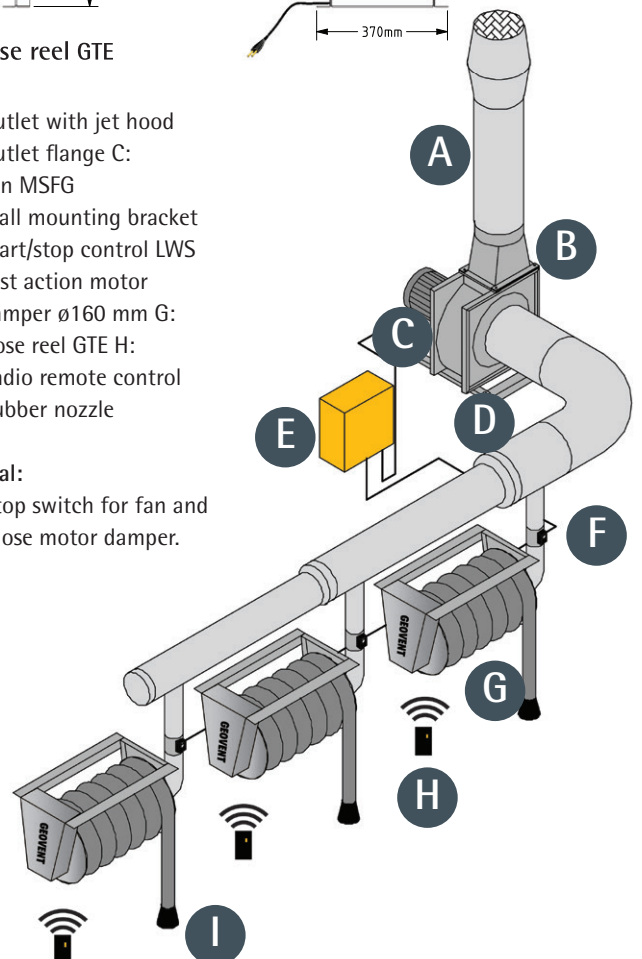
- A: Outlet with jet hood
- B: Outlet flange C: Fan MSFG
- D: Wall mounting bracket
- E: Start/stop control LWS
- F: Fast action motor damper ø160 mm G: Hose reel GTE H: Radio remote control I: Rubber nozzle

### Installation examples - hose reels

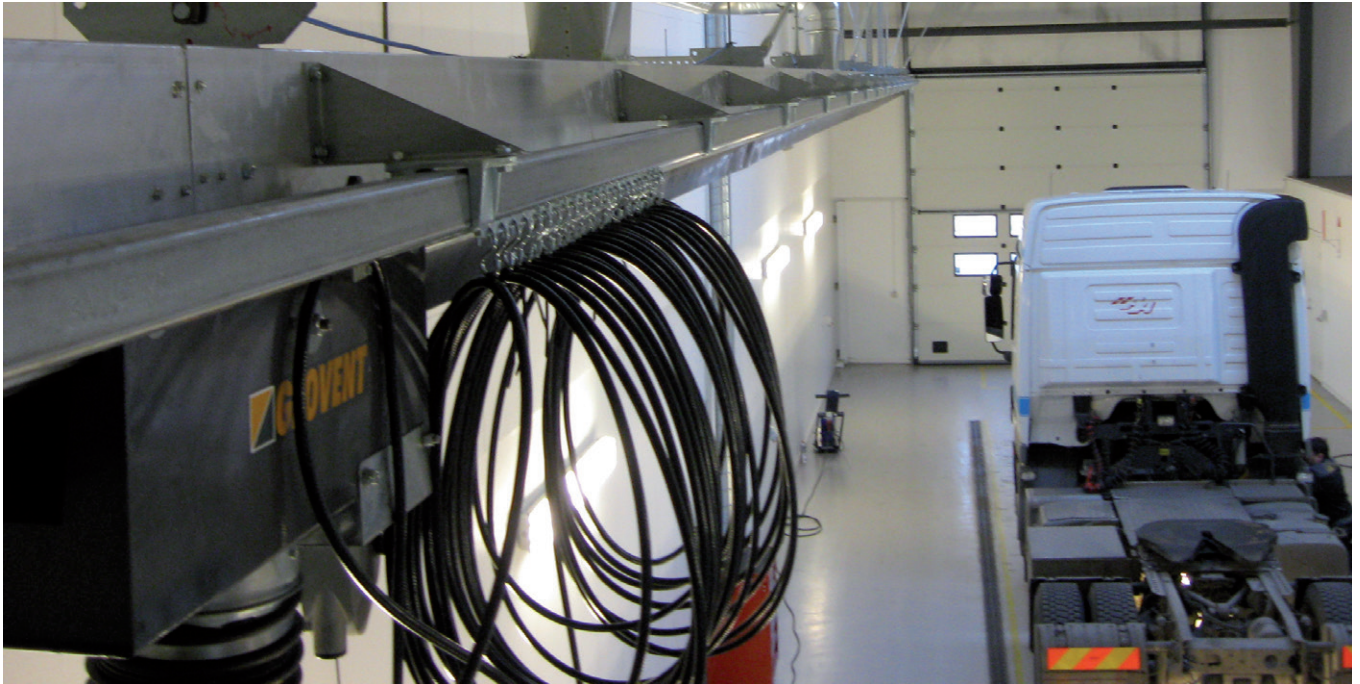


The GTS hose reel is mounted with a hanging hose piece so that the hose can be reached by the operator.  
Note that the GTS-750-10-100 will have a minimum of 2.5 metres of hose hanging down.

Optional:  
Start/stop switch for fan and open/close motor damper.



# CHANNEL DUCT



The channel duct is a versatile system, suitable for numerous applications, from exhaust gas extraction to weld fumes, it is the ideal choice, when a flexible and efficient extraction system is required to cover a large working area.

The channel duct system can be combined with extraction arms, hose reels for even wider range, or it can be mounted on a wall or ground column, which can make it 360° pivotable.

Recommended max. air flow: Up to 2.000 m<sup>3</sup>/h per trolley.



Photo: Sergeant Tina G. Anker, Jydske Dragonregiment (INFOSEK/GSE).



For the operator, the channel duct system ensures flexibility within a large working area. The channel duct is suitable for medium and large garages/shops, where several working bays may share one or more trolleys.

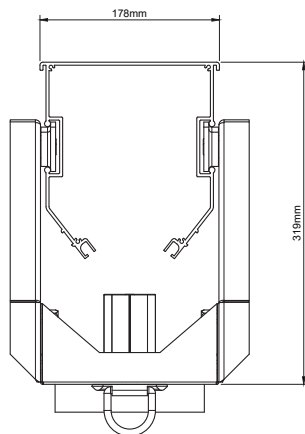
**Easy operation:**

The hose trolley is equipped with 8 smoothly rolling nylon wheels, ensuring easy movement of the trolley. The irritation of having heavy, rolled-out hoses on the floor is avoided – simply push the trolley to work area.

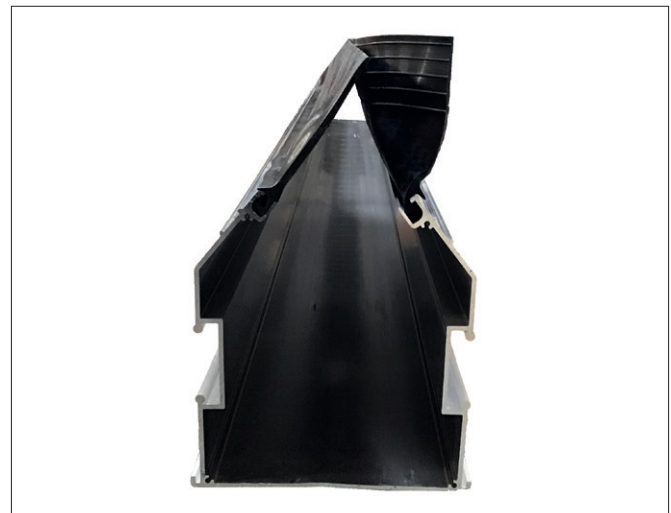
**Mounting friendly**

We have put great focus on making our channel duct system as mounting friendly as possible. It is possible to install the channel duct with a minimum use of time and therefore save on the installation expenses.

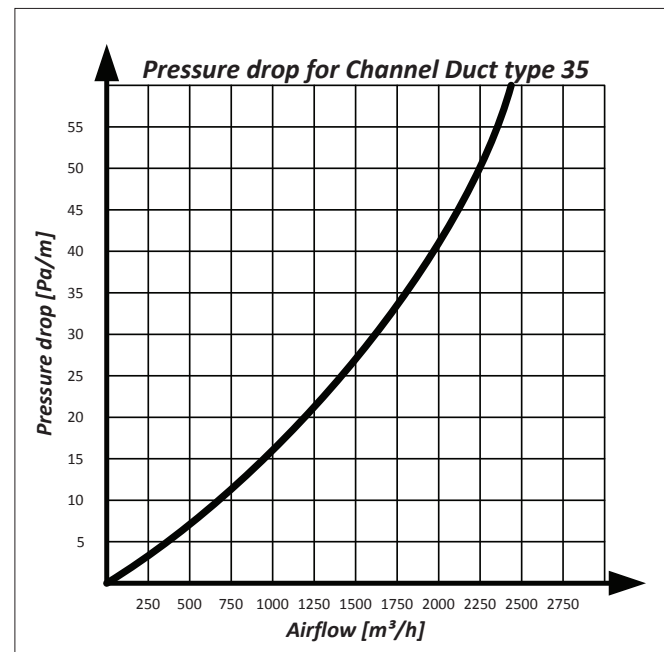
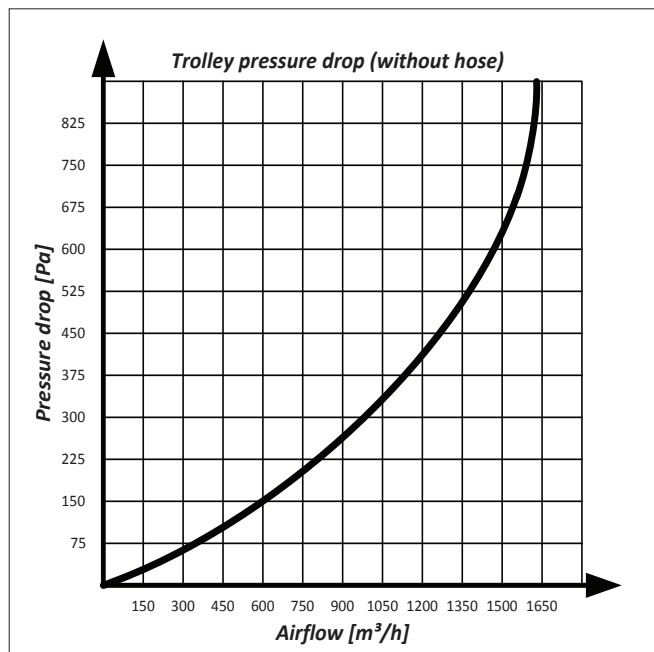
We naturally offer our guidance and know-how.



The Geovent channel duct is designed with a EPDM or silicone rubber profile with ribs and low friction coating. The friction has been reduced with 33% compared with previous designs. The rubber withstands temperatures up to 120-180°C.



PDM or silicone rubber profile



## Channel duct



Art. No.	Description
07-300	Channel duct type 35 extruded aluminium with EPDM rubber lips, max. 120°. Height: 288 mm. Width: 178 mm. Channel = 260 cm <sup>2</sup> = ø180 duct. 7 kg pr. meter. Lengths of 3 and 6 meter. Price per meter.
07-300A	Channel duct type 35 extruded aluminium with Silicone rubber lips, max. 180°. Height: 288 mm. Width: 178 mm. Channel = 260 cm <sup>2</sup> = ø180 duct. 7 kg pr. meter. Lengths of 3 and 6 meter. Price per meter.
07-307	Channel bracing for channel duct. Channel bracing should be used when the pressure exceeds 1.600 Pa in the channel duct and should be placed for every 2 meters. Price per set. *
07-330	Channel of galvanized steel for connecting 2 lengths of channel duct. *
07-477	End stop for trolley *
07-478	Spring end stop for trolley *
07-403	End cover in galvanized steel *
Suspension kit for channel duct - Content: Suspension bracket, ceiling bracket, channel fittings, suspension profile and wiring kit 1 kit required for each point of fixation.	
07-332	Suspension package 1 meter *
07-333	Suspension package 2 meter *
07-301	Suspension bracket in galvanized steel. Can be used for ceiling and wall mounting. Price per piece. *
07-302	Ceiling bracket with tilt function. *
07-303	Channel fittings with tilt function for suspension profile. *
07-315	Suspension profile 1 meter galvanized steel. Per piece. *
07-316	Suspension profile 2 meter galvanized steel. Per piece. *
07-317	Wiring kit - consists of steel wire, wire locks and bardunstrammer. *

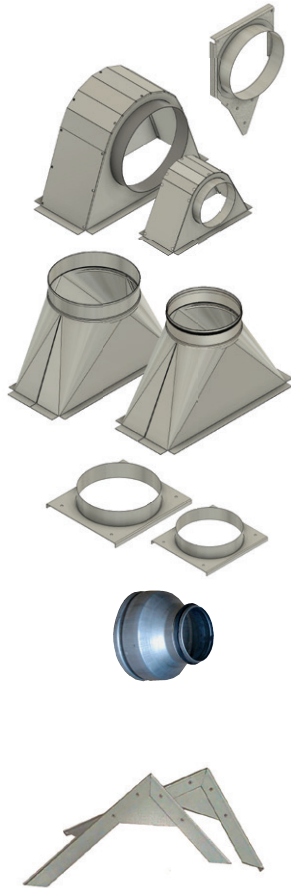
\* Washers and fittings are included

## Trolley



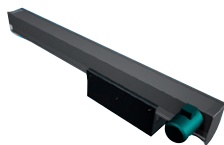
Art. No.	Description
07-322	Trolley type 35, powder coated steel. Complete with 8 smooth-running nylon wheels and ø150 mm NP connection. For air flows up to 1.200 m <sup>3</sup> /h.
07-323	Trolley type 35 for extraction arms ø160 mm. For air flows up to 1.200 m <sup>3</sup> /h.
07-323A	Flange for mounting WING/COMPACT arm on trolley 35 reinforced
07-324	Trolley 2000M. For air flows up to 2.000 m <sup>3</sup> /h.
07-325	Trolley for hose reel GTE/GTS. Hose reel not included.

## Connection etc.



Art. No.	Description
07-308	End connection $\varnothing$ 160 mm, from the end of the channel duct to spiro duct
07-309	Top outlet 90°, nipple $\varnothing$ 160, from channel duct top to round channel
07-310	Top outlet 90°, nipple $\varnothing$ 200, from channel duct top to round channel
07-311	Top outlet, nipple $\varnothing$ 160 mm, from channel duct top to round channel
07-312	Top outlet, nipple $\varnothing$ 200 mm, from channel duct top to round channel
07-314	Top outlet short, nipple $\varnothing$ 160 mm, from channel duct top to round channel
07-318	Top outlet short, nipple $\varnothing$ 200 mm, from channel duct top to round channel
55-092	Reduction MF150/NP80
55-091	Reduction MF150/NP100
56-039	Reduction MF150/NP125
07-150	Wall bracket for wall mounting. 413x308 (set of 2)
07-151	Wall bracket for wall mounting. 514x388 (set of 2)
07-152	Wall bracket for wall mounting. 608x539 (set of 2)
07-153	Wall bracket for wall mounting. 800x589 (set of 2)

## Automatics for channel duct



Art. No.	Description
07-490	Return system for channel duct. Trolley is returned to initial position with the help of small motor controlled by PLC, frequency inverter and sensor



Wireless start/stop automation  
It is possible to purchase wireless start/stop as an add-on.  
The transmitter can e.g. be connected to a start/stop contact on a hose reel or channel duct  
Receiver is e.g. connected to a control panel LWS  
Contact Geovent for solution and price.

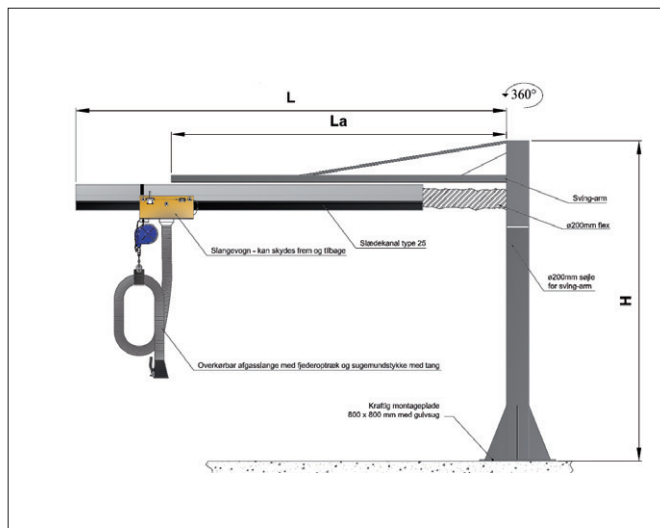
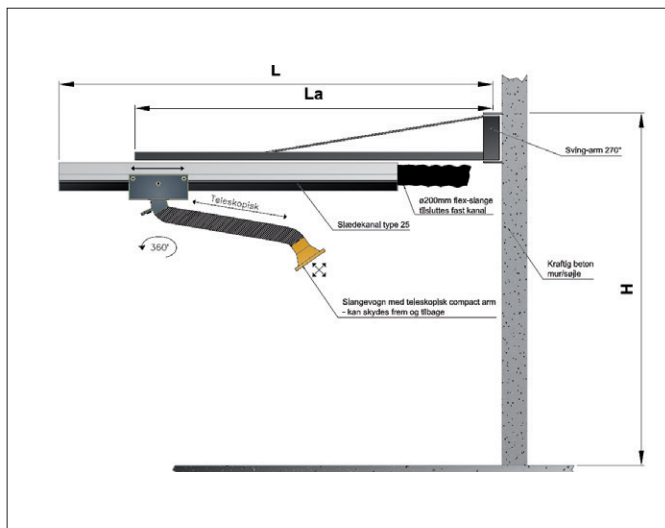


07-100	Wire switch LWS for start/stop of fan when balancer is extended. Max. 1x250V 5A. Factory mounted on balancer of choice.
--------	---



07-102	Cable festoon 4x0,75 mm <sup>2</sup> for wire switch. L: 6m
07-103	Cable festoon 4x0,75 mm <sup>2</sup> for wire switch. L: 12m
07-104	Cable festoon 4x0,75 mm <sup>2</sup> for wire switch. L: 18m
07-106	Cable festoon 4x0,75 mm <sup>2</sup> for wire switch. L: 24m

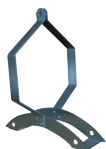
## Channel duct mounted on extension arm or floor column



Art. No.	Description
07-730	180° extension arm 6m for wall mounted channel duct. La = 5m Note: channel duct not included.

Art. No.	Description
07-750	360° extension arm 6m with floor column H=7,5 m for channel duct, La=5m, L=6m Custom fitting available upon request. Note: channel duct not included.

## Hose suspension parts / Disconnection systems



### Art. No. Description

07-712A	Hose suspension ø80 mm
07-712B	Hose suspension ø100 mm
07-712C	Hose suspension ø125 mm
07-712D	Hose suspension ø150 mm
07-712E	Hose suspension ø200 mm
07-716	Multi hose suspension ø76-152 mm
07-716A	Multi hose suspension ø203 mm
06-600	Safety coupling ø100 mm - separates the hose in two if pulling too hard
06-601	Safety coupling ø125 mm - separates the hose in two if pulling too hard
06-602	Safety coupling ø150 mm - separates the hose in two if pulling too hard
07-107	Automatic detachment system with compressed air for garland/channel duct, including mounting brackets and ø10 mm push-in fittings. Including end stop for activating the release valve. When the trolley reaches the end, it will release the pressure in the inflatable-nozzle.
07-120	As above, but with switch for the inflatable nozzle - with hand pump
07-770	Complete electromagnetic detachment system with control, car nozzle, electromagnet and high temperature hose

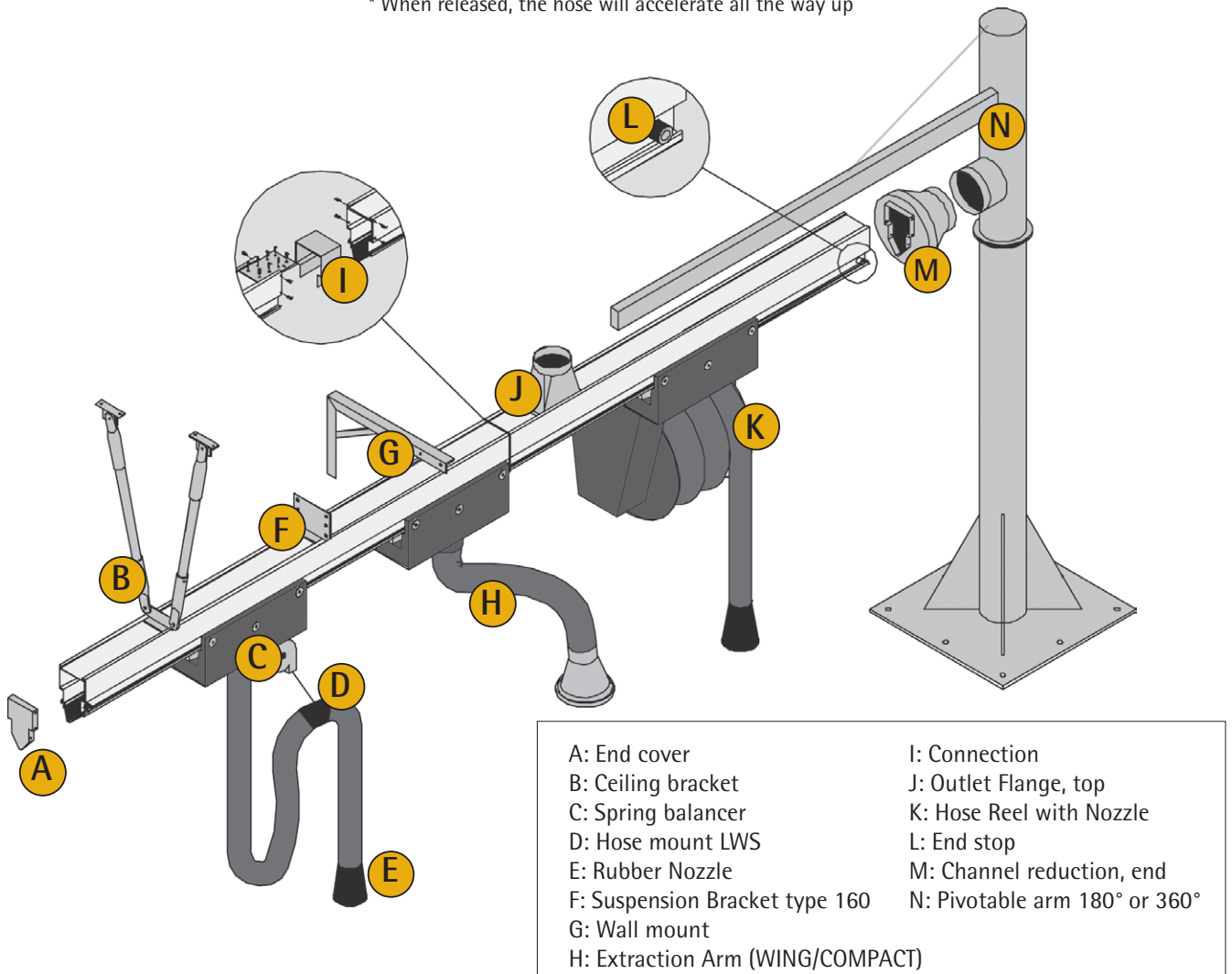
## Spring balancer

Aluminium spring balancer with steel wire. Progressive\* pulling force. Weight: 2 - 5 kg



Art. No.	Description	[m]	[kg]	Lock
07-230	Balancer	2	15,0 - 20,0	No
07-231	Balancer	2	20,0 - 30,0	No
07-220	Balancer	2,5	2,0 - 4,0	No
07-225A	Balancer	2,5	2,0 - 4,0	Yes
07-221	Balancer	2,5	4,0 - 6,0	No
07-226	Balancer	2,5	4,0 - 6,0	Yes
07-223	Balancer	2,5	6,0 - 8,0	No
07-227	Balancer	2,5	6,0 - 8,0	Yes
07-224	Balancer	2,5	8,0 - 10,0	No
07-228	Balancer	2,5	8,0 - 10,0	Yes
07-225	Balancer	2,5	10,0 - 14,0	No
07-229	Balancer	2,5	10,0 - 14,0	Yes
07-221A	Balancer	4,5	4,0 - 6,0	No
07-223A	Balancer	4,5	6,0 - 8,0	No
07-227A	Balancer	4,5	6,0 - 8,0	Yes
07-224A	Balancer	4,5	8,0 - 10,0	No
07-228A	Balancer	4,5	8,0 - 10,0	Yes
07-225B	Balancer	4,5	10,0 - 14,0	Yes

\* When released, the hose will accelerate all the way up



## Exhaust nozzles



Art. No.	Description	Exhaust	Hose Conn.	Weight
SK - nozzle - Powder coated steel with flap and opening for CO-probe.				
06-008	SK-80	ø77	ø80	1,30 kg
06-009	SK-100	ø97	ø100	2,05 kg
06-029	SK-125	ø122	ø125	3,05 kg
06-028	SK-150	ø147	ø150	3,10 kg



Art. No.	Description	Exhaust	Hose Conn.	Weight
HT - nozzle - Powder coated steel w. vice grip. For very hot exhaust.				
06-328	HT-100	ø80	ø100	1,6 kg
06-329	HT-125	ø105	ø125	1,9 kg
06-330	HT-150	ø135	ø150	2,15 kg
06-331	HT-200	ø180	ø200	2,7 kg
06-332	HT-250	ø230	ø250	3,3 kg



Art. No.	Description	Exhaust	Hose Conn.	Weight
S - funnel shaped rubber nozzle.				
06-168	S-65/90	ø90	ø80	0,65 kg
06-168A	S-65/90, with tight damper	ø90	ø80	1,35 kg
06-167	S-80/130	ø130	ø80	0,80 kg
06-167A	S-80/130, with tight damper	ø130	ø80	1,50 kg
06-166	S-100/150	ø150	ø100	0,85 kg
06-166A	S-100/150, with tight damper	ø150	ø100	1,40 kg
06-169	S-125/150	ø150	ø125	0,90 kg
06-169A	S-125/150, with tight damper	ø150	ø125	1,45 kg
06-169B	S-150/190	ø190	ø150	1,20 kg



Art. No.	Description	Exhaust	Hose Conn.	Weight
SA - funnel shaped rubber nozzle. With vice grip and net.				
06-163	SA ø100/150	ø150	ø100	1,45 kg
06-163A	SA ø100/150, with tight damper	ø150	ø100	2,00 kg
06-164	SA ø125/190	ø190	ø125	2,10 kg
06-164A	SA ø125/190, with tight damper	ø190	ø125	3,35 kg
06-165	SA ø150/190	ø190	ø150	1,90 kg
06-165A	SA ø150/190, with tight damper	ø190	ø150	3,15 kg
06-160	SA ø100/150mm w. automatic damper	ø150	ø100	2,05 kg
06-161	SA ø125/190mm w. automatic damper	ø190	ø125	3,05 kg
06-162	SA ø150/190mm w. automatic damper	ø190	ø150	2,85 kg



Note: Standard automatic damper shuts off 90% of the airflow.



Art. No.	Description	Exhaust	Hose Conn.	Weight
SE - Oval rubber nozzle with vice grip and a 60° bend.				
For cars				
06-170	SE-75/150	150/75	ø80	1,75 kg
06-171	SE-100/150	150/75	ø100	1,70 kg
06-172	SE-125/150	150/75	ø125	1,75 kg
For lorries				
06-173	SE-125/200	200/120	ø125	2,40 kg
06-174	SE-150/200	200/120	ø150	2,60 kg



Art. No.	Description	Exhaust	Hose Conn.	Weight
SEI - oval rubber nozzle for car with exhaust pipe integrated in bumper.				
06-180	SEI-100/150 - For cars	165/88	ø100	2,30 kg
06-181	SEI-150/200 - For lorries	165/88	ø150	2,70 kg



## Exhaust nozzles



Art. No.	Description	Exhaust	Hose Conn.	Weight
06-182	SFI-100/200 with internal gripper	ø200	ø100	2,80 kg
06-184	SFI-150/200 with internal gripper	ø200	ø150	2,85 kg

PO - Oval rubber nozzle with 60° bend

06-193	PO-80/130	125/65	ø80	0,85 kg
06-195	PO-80/130, with tight damper	125/65	ø80	1,55 kg
06-194	PO-100/130	125/65	ø100	0,65 kg
06-196	PO-100/130, with tight damper	125/65	ø100	1,20 kg

GeoFlexGrip - Oval rubber nozzle, which will close when not in use.

06-140	GeoFlexGrip 140/25	ø75	ø100	0,55 kg
06-139	GeoFlexGrip 180/30	ø100	ø100	0,90 kg
06-142	GeoFlexGrip 240/15, damper recommended	ø125	ø150	1,30 kg

SB - Round rubber nozzle with bellows for hand pump or compressed air.

06-350	SB 100/80	ø100	ø80	0,90 kg
06-354	SB 100/100	ø100	ø100	0,90 kg
06-355	SB 160/150	ø160	ø150	1,30 kg
06-360	SB 200/150	ø200	ø150	1,60 kg
06-360A	SB 250/150	ø250	ø150	2,00 kg

SBM - Oval rubber nozzle with bellows for hand pump or compressed air.

06-364A	SBM 120/40 (mini cars)	120/40	ø80	0,85 kg
06-364B	SBM 120/40 (mini and smaller cars)	120/40	ø100	0,70 kg
06-368A	SBM 200/100 (smaller lorries with stroke bore less than 3,0 l)	200/100	ø125	1,35 kg
06-368B	SBM 200/100 (lorries)	200/100	ø150	1,60 kg

SBM - Oval rubber nozzle with bellows for hand pump or compressed air. With 45° bend.

06-365A	SBM 150/80 (small and medium sized cars)	150/80	ø100	1,00 kg
06-365B	SBM 150/80 (medium and larger cars less than 3,0 L)	150/80	ø125	1,10 kg

SBI - internal nozzles for newer cars with unaccessible exhaust pipes, like Volvo V60, Mercedes C, Ford Mondeo, Audi A6 and Porsche Cayenne. Ask for details.

Oval rubber nozzle with bellows for hand pump or compressed air.

06-380	SBIM 131/36	131/36	ø100	0,90 kg
06-381	SBIV 126/50	126/50	ø100	0,90 kg
06-382	SBIA 166/48	169/48	ø100	1,20 kg

06-369 Hand pump for compressed air nozzle

06-369A Fast air vent valve for compressed air nozzle

06-379 Slide valve for compressed air nozzle

Smart Cool SC is an adapter with damper and with built-in cooling air control.

12-040	SmartCool SC-100 w. damper + extra cooling air	ø100	ø100	0,90 kg
12-041	SmartCool SC-125 w. damper + extra cooling air	ø125	ø125	1,00 kg
12-042	SmartCool SC-150 w. damper + extra cooling air	ø150	ø150	1,35 kg
12-043	SmartCool SC-200 w. damper + extra cooling air	ø200	ø200	2,00 kg

## Exhaust nozzles



Art. No.	Description
----------	-------------

06-363	Pressure regulator for nozzle SB with pressure gauge, ø10 mm push-in fittings and mounting bracket
--------	--

06-356	Compressed air supply set for hose reel L=max.10 m Compressed air feeding set with garland for channel duct:
--------	---

06-357	L = max 6 m
--------	-------------

06-358	L = max 12 m
--------	--------------

06-359	L = max 18 m
--------	--------------

06-356A	Compressed air feeding set for hose garland, L=max.18 m
---------	---

07-035	AU2 ø150 mm height adjustable holder. Well suited for test stands.
--------	--

07-040	AU2 ø200 mm height adjustable holder. Well suited for test stands.
--------	--

06-254	Mobile Exhaust Trolley UV (ø150)
--------	----------------------------------

06-255	Double exhaust trolley
--------	------------------------

06-250	FBE hose cart ø100 mm height adjustable and easy to place
--------	---

06-251	FBE hose cart ø125 mm height adjustable and easy to place
--------	---

06-252	FBE hose cart ø150 mm height adjustable and easy to place
--------	---

Y-coupling set for cars with dual exhaust pipe.	
---	--

06-389	Y-piece 100/100/45° complete, 2 pcs. ø100 GeoFlex Exhaust 1,25m hoses
--------	---

06-390	Y-piece 100/100/45° complete with click coupling VL, 2 pcs. ø100 GeoFlex Exhaust 1,25m hoses
--------	--

06-390A	Y-piece 100/100/45° complete with click coupling VL, 2 pcs. ø100 GeoFlex Exhaust 1,25m High temperature hoses
---------	---

Note: Nozzles not included.

06-200	Extended nozzle ø125/250 – H: 2m. Well suited for construction equipment with vertical exhaust pipe.
--------	--

06-200A	Extended nozzle ø125/250 – H: 2m. Well suited for construction equipment with vertical exhaust pipe. With 300°C hose.
---------	---

06-202	Extended nozzle ø150/250 – H: 2m. Well suited for agricultural machinery and trucks with exhaust pipe upwardly. With 300°C hose.
--------	--

01-870	Smart Exhaust Arm, Telescopic arm with nozzle
--------	---



01-870

# CERA ARM



Used without attachment to the car

Geovent CERA arm provides a non-contact and efficient exhaust gas extraction.

The arm is mounted in a Channal Duct and can be moved across or along the workshop.

The arm can be rotated 360 degrees and adjusted in several joints so that it can be positioned precisely in relation to the exhaust pipe of the car.

When mounting the channel duct take into consideration that the arm must be able to reach the exhaust pipe of small cars.



## Art. No. Description

07-470	CERA Exhaust arm ø160 mm hose. Nozzle 200x160 mm. Ex. Trolley type 35.
--------	--

## Hood for hose reel and more



Art. No.	Description	Weight
10-244	Ø160 mm hood with magnet	1,7 kg
10-246	Ø200 mm hood with magnet	1,9 kg
10-245	Ø160 mm hood with magnet incl. adaptor ø150 mm	1,9 kg
06-014	Welding hood ø80 mm with magnet	1,0 kg
06-020	Welding hood ø100 mm with magnet	1,1 kg
06-025	Welding hood ø125 mm with magnet	1,3 kg
06-051	MINI-hood ø80 mm with magnet	0,65 kg
06-053	MINI-hood ø100 mm with magnet	0,65 kg
12-005	Tight damper ø80 mm	0,15 kg
12-006	Tight damper ø100 mm	0,19 kg
12-012	Tight damper ø125 mm	0,25 kg
12-008	Tight damper ø160 mm	0,39 kg
12-009	Tight damper ø200 mm	0,55 kg
10-265	Flange f/hood - ø125 mm hose	
10-266	Flange f/hood - ø160 mm hose	
10-267	Flange f/hood - ø200 mm hose	

Custom hoods available on request. Please enquire.

Vacuum cup instead of magnet available. Please enquire.

# SYSTEMS FOR FIRE STATIONS



MRSP installed in a fire station

We offer a series of modern and effective extraction systems for emergency vehicles. The latest development is the systems MRS, MRSP and PRS which you will find below.

The systems are designed to live up to the latest demands from fire stations internationally.

Various components are developed which gives a modern design and makes the systems effective, efficient and user-friendly. An example is the aluminum rail which combines strength and stability.

Low weight and a split into 2-meter-long pieces makes the installation simple and easy.

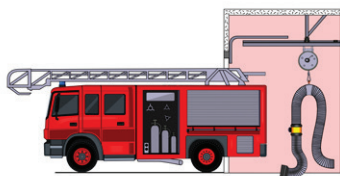
The systems are delivered for vehicles with exhaust pipes placed both high and low, and an automatic decoupling system - electromagnetic or pneumatic.

Low weight and a split up.



MRS installed in a fire station

## MRS Rail System



Geovent MRS for extraction of exhaust gases for emergency vehicles.  
The rail system is delivered with an magnetic decoupling device, so that the nozzle is automatically decoupled, when the vehicle leaves the building.  
Connection to the pipe system is placed in the middle of the rail system.

Art. No.	Description
07-702	MRS Rail System ø125 mm, 6 meter
07-702A	MRS Rail System ø125 mm, 10 meter
07-702B	MRS Rail System ø150 mm, 6 meter
07-702C	MRS Rail System ø150 mm, 10 meter

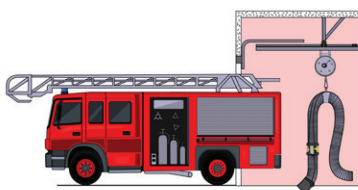
## MRSP Rail System



Geovent MRSP for extraction of exhaust gases for emergency vehicle. Premium solution with horizontal compressible hose etc. with less need of space.  
The rail system is delivered with an electro magnetic decoupling from the vehicle, so that the nozzle is automatically decoupled, when the vehicle leaves the building.  
Connection to the pipe system is placed in the end of the rail system.

Art. No.	Description
07-703	MRSP Rail System ø125 mm, 6 meter. Low mounted exhaust
07-703A	MRSP Rail System ø125 mm, 10 meter. Low mounted exhaust
07-703B	MRSP Rail System ø150 mm, 6 meter. Low mounted exhaust
07-703C	MRSP Rail System ø150 mm, 10 meter. Low mounted exhaust
07-704	MRSP Rail System ø125 mm, 6 meter. Highly mounted exhaust
07-704A	MRSP Rail System ø125 mm, 10 meter. Highly mounted exhaust
07-704B	MRSP Rail System ø150 mm, 6 meter. Highly mounted exhaust
07-704C	MRSP Rail System ø150 mm, 10 meter. Highly mounted exhaust

## PRS Rail System



Geovent PRS for extraction of exhaust gases for emergency vehicles.  
The rail system is delivered with an pneumatic decoupling from the vehicle, so that the nozzle is automatically decoupled, when the vehicle leaves the building.  
Connection to the pipe system is placed in the middle of the rail system.

Art. No.	Description
07-000	PRS Rail System ø100 mm, 6 meter
07-000A	PRS Rail System ø100 mm, 10 meter
07-700B	PRS Rail System ø125 mm, 6 meter
07-700C	PRS Rail System ø125 mm, 10 meter
07-700D	PRS Rail System ø150 mm, 6 meter
07-700E	PRS Rail System ø150 mm, 10 meter

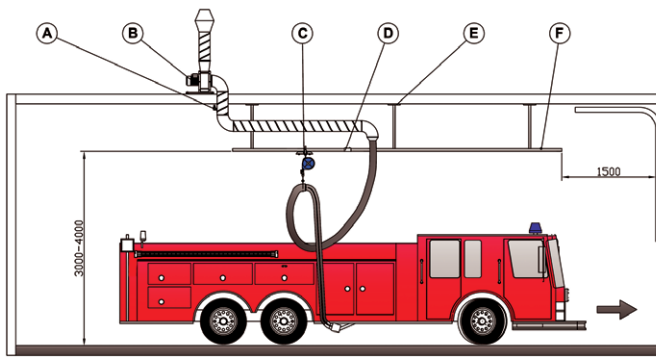
## Automatics for emergency vehicles



19-115

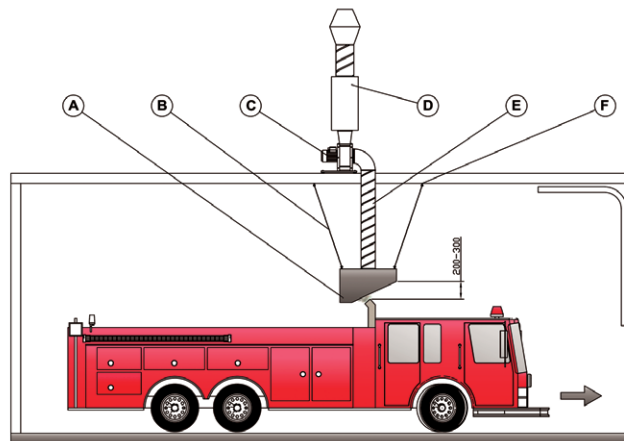
Art. No.	Description
19-111	Control panel for remote controlled transmitter. Automatically starts the fan, when the car is started. Range 50-100 m, subsequently the fan is turned off.
19-110	Wireless transmitter for start/stop of the fan. To be connected to 24V battery on the vehicle.
19-115	Overpressure sensor for automatisk start/stop of motor damper and/or fan. The sensor measures when there is an overpressure in the hose, and turns the fan/ motor damper on.

## Examples of equipment for emergency vehicles



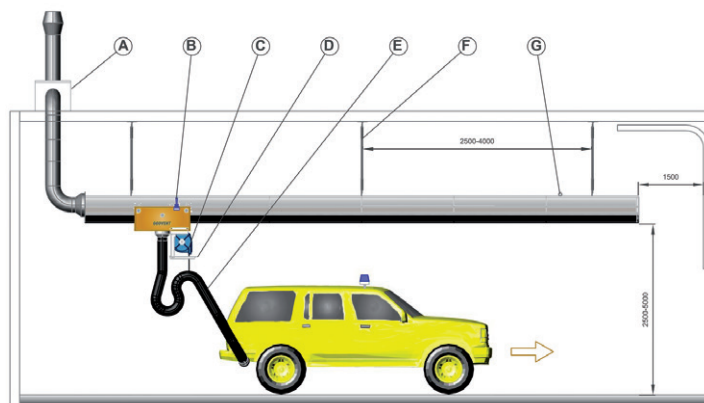
### GARLAND RAIL SYSTEM / C-PROFILE SYSTEM

- A: Spiro duct  $\varnothing 200$  mm, reduction valve for compressed air.
- B: Fan MSFG-200-3, 1.1 kW – capable of supplying up to 2.100 m<sup>3</sup>/h air.
- C: Spring balancer holder with wheels, capable of sliding horizontally in the rail system.
- D: Connecting piece for rail system. The system consists of 6 meter pieces to be assembled to the required length.
- E: Suspension bracket for the mounting of the rail system in the ceiling.
- F: Release device, transmitting a signal to reduce the pressure in the nozzle, and then the nozzle is detached from the exhaust pipe.



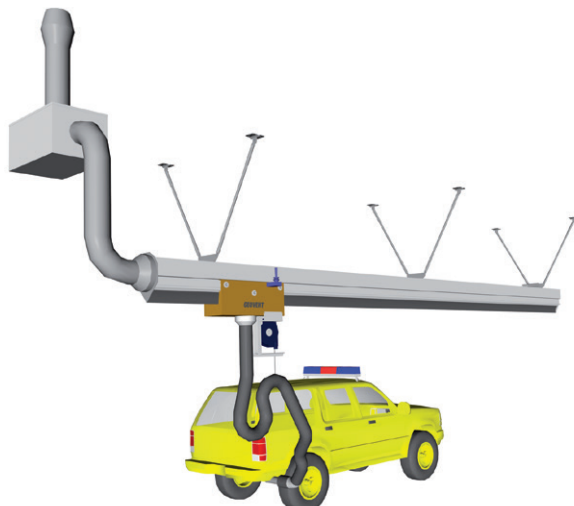
### EXTRACTION HOOD

- A: Extraction hood 1000 x 1000 x 800 mm with vertical outlet and suspension bracket.
- B: Steel wire with turnbuckles.
- C: Fan MSFG-200-3 – for the extraction from one vehicle.
- D: Silencer  $\varnothing 250$  mm.
- E: Spiro duct  $\varnothing 200$  mm.
- F: Ceiling bracket



### CHANNEL DUCT W. PNEUMATIC DETACHMENT

- A: Box fan – MSFG-200-3 1.1 kW
- B: Activation switch, sending a signal to the control panel to start or stop the fan.
- C: Spring balancer, securing easy operation of the equipment and that the hose is not in the way.
- D: GeoFlex exhaust pipe with a temperature resistance of up to 150°C. The lower part of the hose is a safety pull-out coupling, securing that the nozzle is released in case of defects.
- E: Wire switch LWS for the start/stop of the fan.
- F: The suspension brackets must be fixed at intervals of 2.500 to 4.000 mm in order to secure the stable installation.
- G: Bracket, which at the end station sends a signal to reduce the compressed air in the nozzle so that immediately hereafter it is released automatically from the vehicle.



### PNEUMATIC RELEASE SYSTEM

Pneumatic release system with automatic start/stop of the fan and compressed air nozzle, which is automatically released, when the trolley reaches the end of the channel duct. The system is available with standard brackets, adjustable to any ceiling. The compressed air nozzle fits perfectly on the exhaust pipe and is completely tight. The nozzle can be used in combination with a motor driven trolley for automatic return of the trolley.

# EXTRACTION HOODS



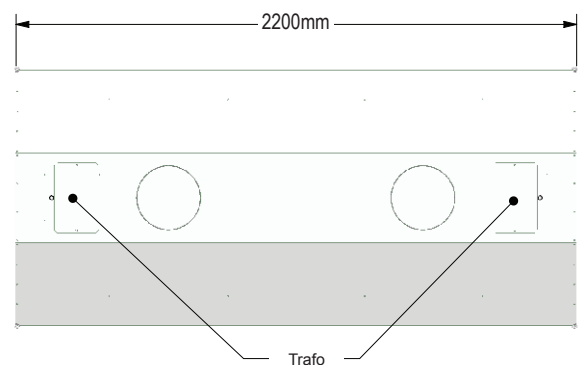
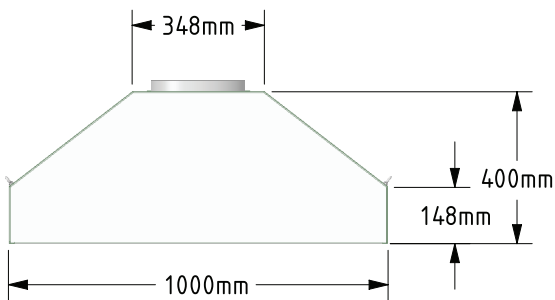
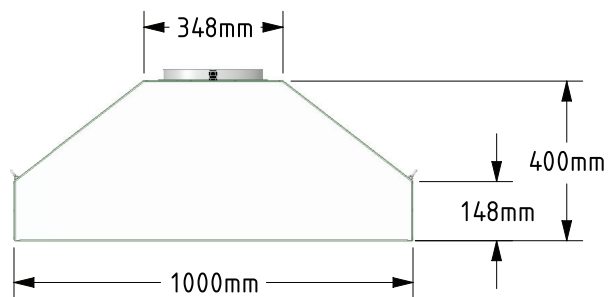
Extraction hood with light

Do you have problems with smoke and fumes, and is it not possible to use an extraction arm?

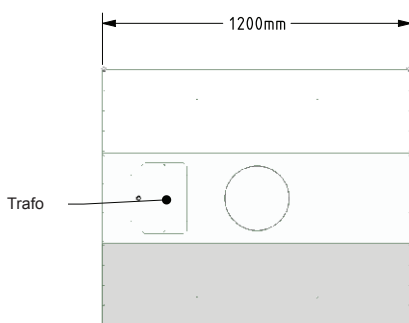
Then a hood in galvanized construction, could be the right solution.

We offer two sizes: Hood 1200 x 1000 x 400 mm recommended airflow: 1.000-1.500 m<sup>3</sup>/h and hood 2200 x 1000 x 400 mm recommended airflow: 2.000-3.000 m<sup>3</sup>/h

Option: Can be offered with LED spots.  
Other sizes available upon request.



02-211 Hood



02-210 Hood

## Extraction Hoods for train



Extraction Hood for train



At DSB (The Danish National rail company) they had a challenge with exhaust gas from their diesel locomotives. The hoods, they were using were not working properly, which resulted in exhaust gas polluting the air in the garage.

A cooperation between the consulting engineer, the installation company, DSB and Geovent, resulted in a specially designed extraction hood.

When the train drives into the maintenance garage, the hoods are automatically lowered to a position right above the exhaust pipe of the train and all gas is extracted effectively. When the staff is done servicing the train, the hoods are automatically raised and the train can leave the garage.

The hood is made of galvanized steel with an electrical control panel and it has a telescopic hoist. The hoist is controlled manually by means of a switch or automatically with CTS.

If an automatic control is chosen, the hood is lowered to a level right above the exhaust pipe of the train and the exhaust is effectively extracted from the garage.

Motor: 3x400V 50 Hz

Is delivered without a control panel. This is to be ordered separately.

Recommended air flow: Approx. 3.000 m<sup>3</sup>/h

## Extraction hoods for train



Motor: 3x400V 50Hz. Standard supplied with out control panel, but can be supplied upon request.  
Recommended airflow: App. 3.000m<sup>3</sup>/h

Art. No.	Description
02-200	Hood for train exhaust 2000 x 700 mm, connection 1xø400 mm

## Extraction hoods with extension arm and and motor hoist



Geovent extractor with extension and hoist is used when a solution with flexibility in terms of location is needed. By swinging the paver with the extractor, it can be placed in the exact location where extraction is required.

In some cases, there is a need to lift and lower the extractor.

Geovent extractor is supplied with a motorized hoist with travel up to 1,000 mm. Motorized hoist 1x230V is supplied with remote control. Extractor hoods are available as standard in 3 sizes with ø250 mm connection.

Art. No.	Description
02-220	Hood 1x1m with 2 m 1-joint extension and motorized hoist with migration up to 1.000 mm.
02-221	Hood 1x1,5m with 2 m 1-joint extension and motorized hoist with migration up to 1.000 mm.
02-222	Hood 1x2m with 2 m 1-joint extension and motorized hoist with migration up to 1.000 mm.



## Extraction hoods with edge extraction



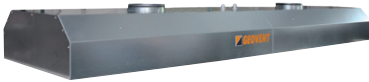
Do you have problems with smoke and fumes, and is it not possible to use an extraction arm? Then a hood in galvanized construction, could be the right solution. We offer two sizes: Hood 1200 x 1000 x 400 mm recommended airflow: 1.000-1.500 m<sup>3</sup>/h and hood 2200 x 1000 x 400 mm recommended airflow: 2.000-3.000 m<sup>3</sup>/h Option: Can be offered with LED spots.

Art. No.	Description
02-210	Hood 1200 x 1000 x 400 mm, recommended airflow: 1.000-1.500 m <sup>3</sup> /h, connection 1xø250 mm
02-211	Hood 2200 x 1000 x 400 mm, recommended airflow: 2.000-3.000 m <sup>3</sup> /h, connection 2xø250 mm

## Accessories

Art. No.	Description
02-215	Light kit consisting of 4 lights, 7 watt per. bulb, 24V, incl. electronic transformer
02-216	Light kit consisting of 8 lights, 7 watt per. bulb, 24V, incl. electronic transformer

## Extraction hoods in modules



Geovent manufactures hoods in customised or standard versions. They are available with different kinds of suspension types, depending on the installation plans – on a wall or from the ceiling. The airflow can be adapted to the individual job by adjusting the width of the slit as well as the diameter measurement of the connection to the Spiro pipe.

As standard, we offer two sizes: hood 1275 x 700 x 250 mm with an airflow from 100 m<sup>3</sup>/h and 2550 x 700 x 250 mm with an airflow from 200 m<sup>3</sup>/h and upwards. These hoods have LED spots. As standard, the slit is 20 mm. Upon request, the slit can be made in different measurements. As shown on the picture, the hoods can be installed in series, making an almost endless length of the actual hood possible.

Art. No.	Description
02-212	Hood 1275x700x250mm with LED spots
02-213	Hood 2550x700x250mm with LED spots



Extraction Hood at a school



As seen in the picture, the hoods can be mounted in series so that the length of the hood itself can almost become infinite.

# WING ARM

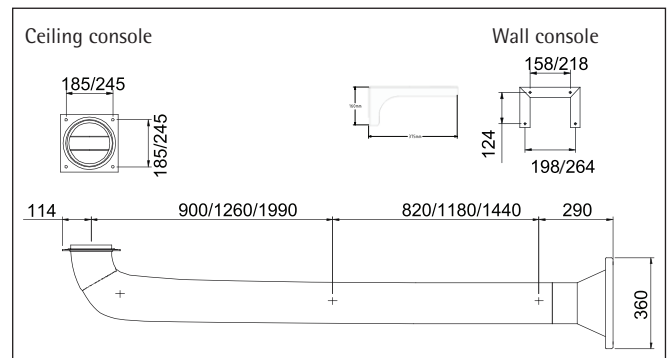


The classic point extraction arm.  
The WING arm construction dates more than 40 years back, but with improvements over the years, it is still one of the best choices when selecting a new extraction arm.

**Lengths:** 2, 3 and 4 m.  
Up to 9 m, when using an extension arm.

**Dimensions:**  
ø160 and ø200 mm

## Dimensions WING arm



## Extension arms

All arms may be extended with an extension arm. The 2 meter long extension arm will generate a pressure drop of app 70 Pa at 1.000 m<sup>3</sup>/h. The 4 meter link extension arm shown will generate a pressure drop of app 200 Pa at 1.000 m<sup>3</sup>/h. The extraction are is divided into modules, which are pushed into each other, so that it can be mounted by one single craftsman. That makes both the arm and the mounting easier and more price competitive. The arm is smoothly operated and easy to position, due to the special design and freed flange bearings in the joints. In most links the friction can be adjusted, so the extension arm is easy to use. Mostly, the arms are in stock which means fast delivery for you.



# COMPACT ARM

The Geovent COMPACT arm is the ideal solution when there is confined space for example in welding booths. The telescope function within the COMPACT arm offers the perfect balance between larger arms extraction capacity and smaller arms easy maneuverability. When you are done with the operation, simply move the arm up/away, and it does not take up any extra space.

The arm is supplied ready for installation in the ceiling (360° rotatable) or on wall (wall console required), together with separate fan or to central fan.

**Weight:** 10 kg - 14 kg depending on model

**Lengths:** 1 to 2 m or 1,4 to 3 m.  
Up to 8m, when using an extension arm.

**Dimensions:**  
ø160 and ø200 mm.

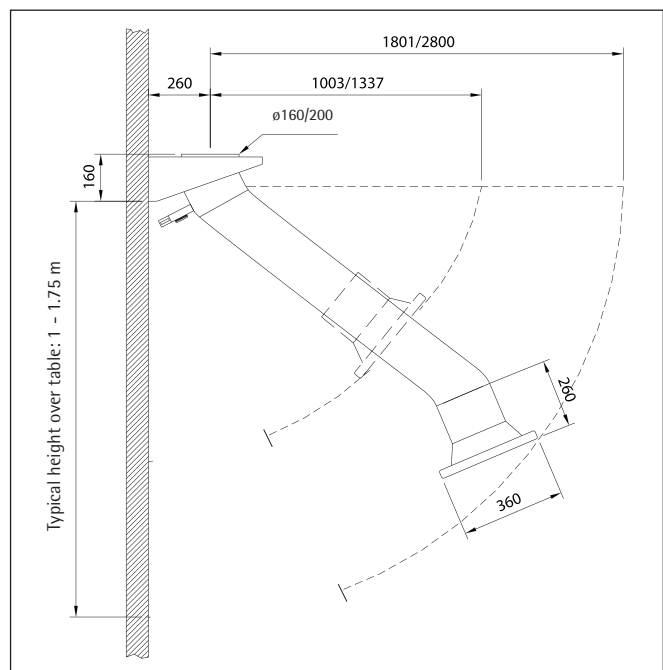


White COMPACT arm, customized design.

Ask for special design.



Dimensions COMPACT arm



# ASA ARM



GEOVENT ASA-3 and ASA-4 extraction arms are used for welding fumes, grinding dust and various vapours, where the considerations for the operator are ease of positioning, ergonomics and efficiency.

The ASA arm is based on an externally articulated alu arm construction with gas spring, ensuring that it can easily and effortlessly be positioned in the desired position. The ASA-3 is supplied with flexible hose, where the ASA-4 is fitted with aluminum pipes.

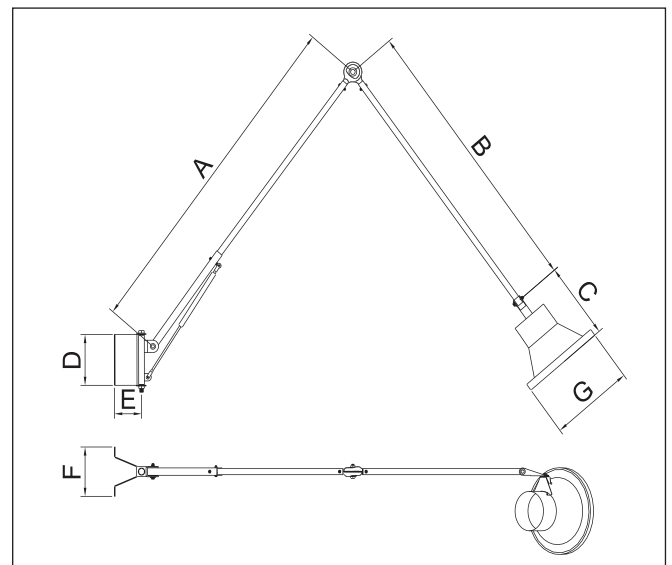
Available in lengths 2 m, 3 m and 4 m.

With extension arm the range can be extended up to 8 m. We do not recommend ASA arm of 4 meters mounted on a Extension arm.

The ASA arms are also available in ATEX versions (ASX arm).

Arm	A	B	D	E	F	Hood	C	G
2,0 m	920	680	206	120	200	ø80	180	178
3,0 m	1420	1180	206	120	200	ø100	180	198
4,0 m	1870	1710	206	120	200	ø125	180	223
						ø160	318	360
						ø200	318	360

Dimensions ASA arm



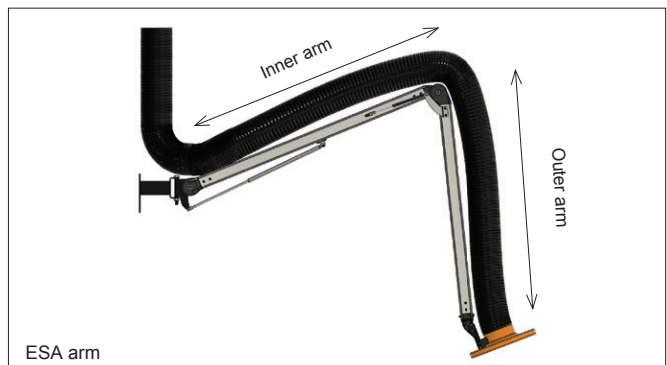
# ESA ARM



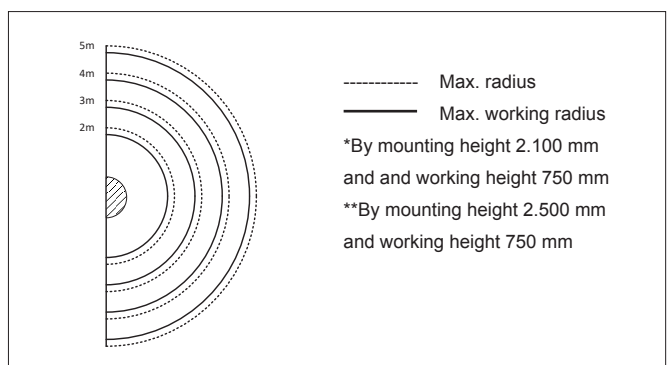
The ESA arm is designed with external support arm for easy positioning, ergonomics and low pressure drop. The support arm is made of extruded 6060 aluminum and the joints are of cast glass infused nylon. The arm joints are both supported with gas springs. The hood is made of aluminum for durability, and it is designed for maximum extraction and capture efficiency.

**Dimensions:**  $\varnothing 160$  mm or  $\varnothing 200$  mm  
**Lengths:** 2 to 5 meters. At 4 and 5 meters an extension is fitted. Is available up to 8 meters length by using extension arm.  
**Hose:** GeoFlex Weld (-10°C to +60°C - briefly 110°C)

**Recommended air flow**  
 Hose Dimension  $\varnothing 160$  mm                      800-1.000 m<sup>3</sup>/h  
 Hose Dimension  $\varnothing 200$  mm                      1.000-2.000 m<sup>3</sup>/h



ESA Arm	Inner support arm (mm)	Outer support arm (mm)	Extension (mm)	Max. working radius (mm)	Max. Radius (mm)
2M	865	696		1.600*	2.000
3M	1.365	1.200		2.700**	3.000
4M	1.365	1.200	1.000	3.700**	4.000
5M	1.365	1.200	2.000	4.700**	5.000



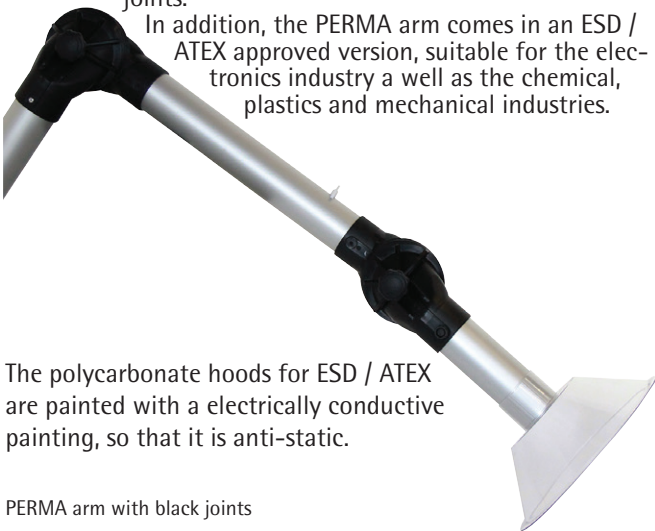
# PERMA ARM



Energy-efficient bends - the market's lowest pressure loss.  
Easy assembly and easy maintenance.

The perfect choice of arm for hairdressers, dentist, pharmacies, hospitals etc. The flexible self carrying construction consist of anodized aluminum pipes with 2 or 3 cast plastic joints.

In addition, the PERMA arm comes in an ESD / ATEX approved version, suitable for the electronics industry as well as the chemical, plastics and mechanical industries.



The polycarbonate hoods for ESD / ATEX are painted with a electrically conductive painting, so that it is anti-static.

PERMA arm with black joints



# FLEXI ARM



The unique design of the Geovent FLEXI arm has been developed especially for the purpose of removing polluted air from laboratories, schools, hospital environments, clinics, etc. By removing the polluted air directly at the source, the exposure of the employees to air causing local irritation and toxic vapors is minimized, resulting in a better working environment.

**Dimension:**  $\varnothing$ 100 mm or  $\varnothing$ 125 mm

**Length:** 1,0 or 1,5 meter

**Installation:** Wall, ceiling, table or cupboard

**Hose:** GeoFlex White (140°C)

Three friction joints as well as a 360° smooth-running swivel suspension secures that the arm may be positioned in any required position within the working area, thus resulting in easy and effortless use of the FLEXI arm.

## FSK is for mounting horizontally

FLEXI model FSK is for mounting horizontally, directly into a wall or cupboard. Used in laboratories, clinics, etc. This model has a detachable version, so you can remove the arm when it is not needed.



A: FLEXI arm with bracket for table mounting and 330 x 445 mm polycarbonate hood.

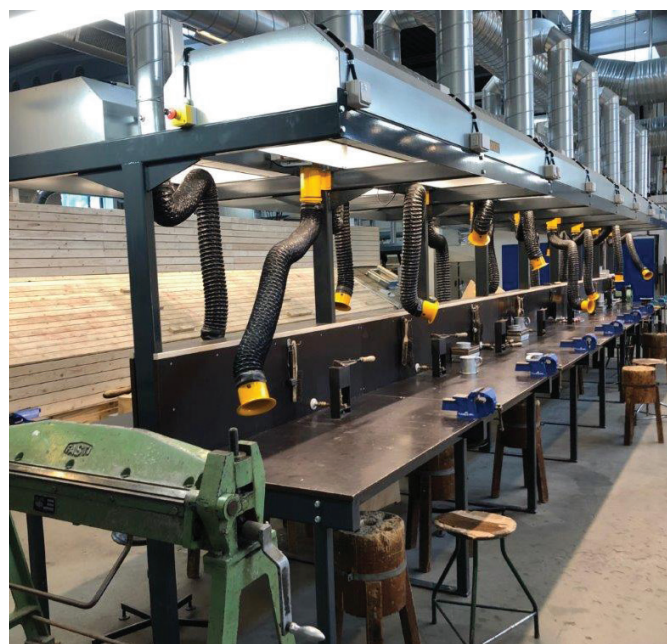
B: The FLEXI arm is available with several different types of hood, both in aluminium and in clear polycarbonate. Here the arm is shown with an  $\varnothing$ 385 mm clear polycarbonate dome-shaped hood.

C: FLEXI arm, with bracket for wall mounting.

D: FLEXI arm, with bracket for ceiling mounting with 360° swivel. Standard bracket of 1.000 mm or custom, according to customer requirements.

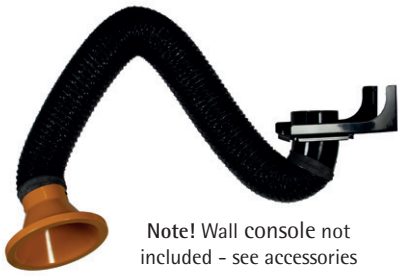
E: FLEXI arm, mounted directly into laboratory cupboard. Complete arm, with hood and mounting bracket.

F: FLEXI arm FSK with horizontal attachment and it comes in two versions.



Custom project, FLEXI arms with yellow hoods.

## WING arm, with internal articulated support arm



Note! Wall console not included - see accessories

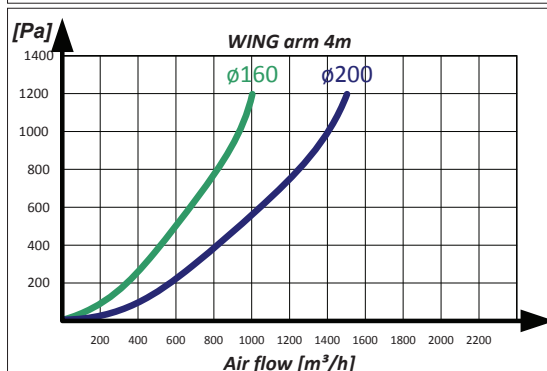
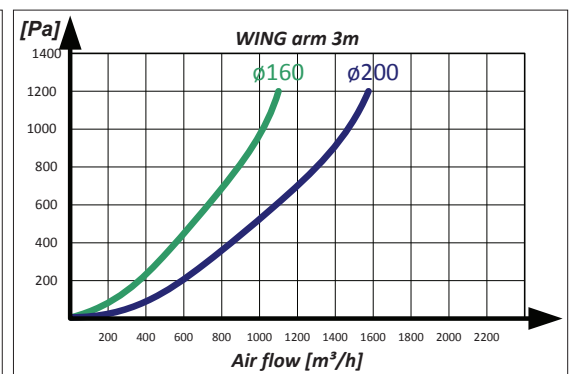
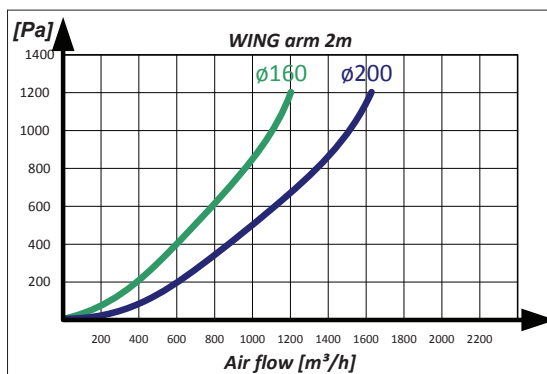
Art. No.	Description
01-008	WING arm 2,0 m $\varnothing$ 160 mm
01-009	WING arm 3,0 m $\varnothing$ 160 mm
01-007	WING arm 4,0 m $\varnothing$ 160 mm
01-007A	WING arm 2,0 m $\varnothing$ 200 mm
01-008A	WING arm 3,0 m $\varnothing$ 200 mm
01-009A	WING arm 4,0 m $\varnothing$ 200 mm

## WING arm with quick-coupling and ball swivel joint



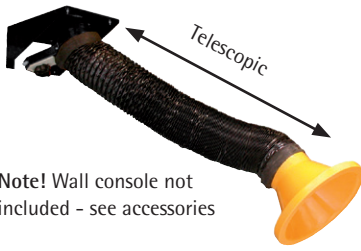
Art. No.	Description
01-202	WING arm $\varnothing$ 160 mm, 2 m - with quick-coupling/ball joint - w/o hood
01-202A	WING arm $\varnothing$ 200 mm, 2 m - with quick-coupling/ball joint - w/o hood
01-200	WING arm $\varnothing$ 160 mm, 3 m - with quick-coupling/ball joint - w/o hood
01-200A	WING arm $\varnothing$ 200 mm, 3 m - with quick-coupling/ball joint - w/o hood
12-243	Extraction hood for windscreen gluing 850x600 mm - Prepared for quick-coupling $\varnothing$ 160 mm
12-243A	Extraction hood for windscreen gluing 850x600 mm - Prepared for quick-coupling $\varnothing$ 200 mm
12-242	Panel fume extractor $\varnothing$ 160x1300 mm, aluminium. Prepared for quick-coupling
10-247	Detachable welding hood $\varnothing$ 160/385 mm, prepared for quick-coupling
10-248	Detachable welding hood $\varnothing$ 200/385 mm, prepared for quick-coupling
01-225	Flange with quick-coupling $\varnothing$ 160 mm
01-225A	Flange with quick-coupling $\varnothing$ 200 mm
01-226	Counterpart for quick-coupling $\varnothing$ 160 mm (for hoses)
01-226A	Counterpart for quick-coupling $\varnothing$ 200 mm (for hoses)
91-289A	Quick-coupling $\varnothing$ 160 mm
91-290A	Quick-coupling $\varnothing$ 200 mm

## Pressure drop curves - WING arm





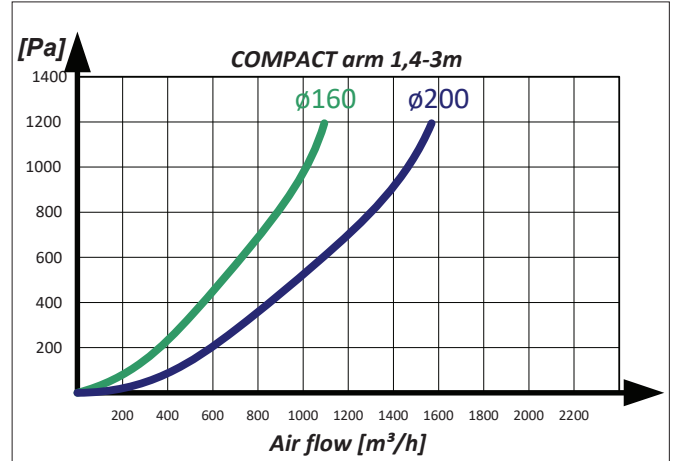
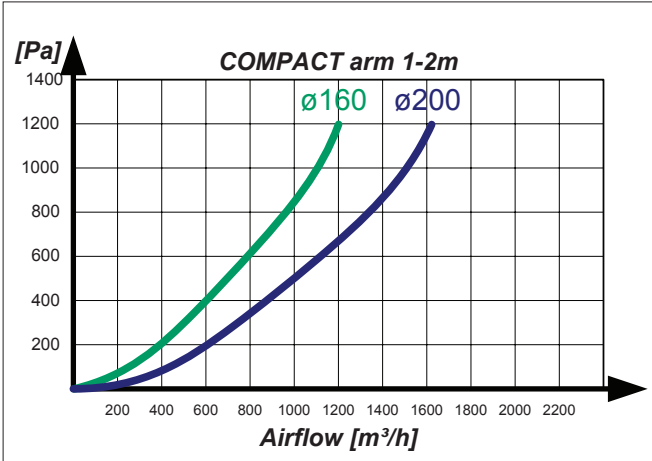
## COMPACT arm, with internal telescopic support arm



Note! Wall console not included - see accessories

Art. No.	Description
01-700	COMPACT arm 1 – 2 m., telescopic, $\varnothing$ 160 mm
01-706	COMPACT arm 1,4 – 3 m., telescopic, $\varnothing$ 160 mm
01-701	COMPACT arm 1 – 2 m., telescopic, $\varnothing$ 200 mm
01-707	COMPACT arm 1,4 – 3 m., telescopic, $\varnothing$ 200 mm

## Pressure drop curves - COMPACT arm



## Accessories for WING and COMPACT arm



Art. No.	Description
01-540	Wall console $\varnothing$ 160 mm, 260 mm from wall
01-541	Wall console $\varnothing$ 200 mm, 280 mm from wall
01-551	Wall console $\varnothing$ 160 L=1m WING/COMPACT
01-552	Wall console $\varnothing$ 200 L=1m WING/COMPACT
01-160	Ceiling console $\varnothing$ 160, 0,4-1,2M
01-161	Ceiling console $\varnothing$ 160, 1,2-2,4M
01-162	Ceiling console $\varnothing$ 200, 0,4-1,2M
01-163	Ceiling console $\varnothing$ 200, 1,2-2,4M
12-008	Tight damper for hood - $\varnothing$ 160 mm
12-009	Tight damper for hood - $\varnothing$ 200 mm
01-172	LED set R2 incl. mesh - excl. trafo, $\varnothing$ 125 mm
01-173	LED set R2 incl. mesh - excl. trafo, $\varnothing$ 160 mm + $\varnothing$ 200 mm
01-173A	LED set R3 - excl. trafo, $\varnothing$ 160 mm + $\varnothing$ 200 mm
01-179	Trafo 70 W electronic, 12V
10-253	Hood WING/COMPACT $\varnothing$ 160 mm
10-256	Hood WING/COMPACT $\varnothing$ 200 mm

Fan (MSQ) for mounting on wall console - see fan section.

Polycarbonate hoods for WING/COMPACT-arm - see under accessories for FLEXI arm.

## ASA-3 arm, with external articulated arm, hose and gas spring



Art. No.	Description
ASA-01	ASA-3 arm 2,0 m ø80 mm, complete
ASA-11	ASA-3 arm 3,0 m ø80 mm, complete
ASA-21	ASA-3 arm 4,0 m ø80 mm, complete

ASA-02	ASA-3 arm 2,0 m ø100 mm, complete
ASA-12	ASA-3 arm 3,0 m ø100 mm, complete
ASA-22	ASA-3 arm 4,0 m ø100 mm, complete

ASA-03	ASA-3 arm 2,0 m ø125 mm, complete
ASA-13	ASA-3 arm 3,0 m ø125 mm, complete
ASA-23	ASA-3 arm 4,0 m ø125 mm, complete

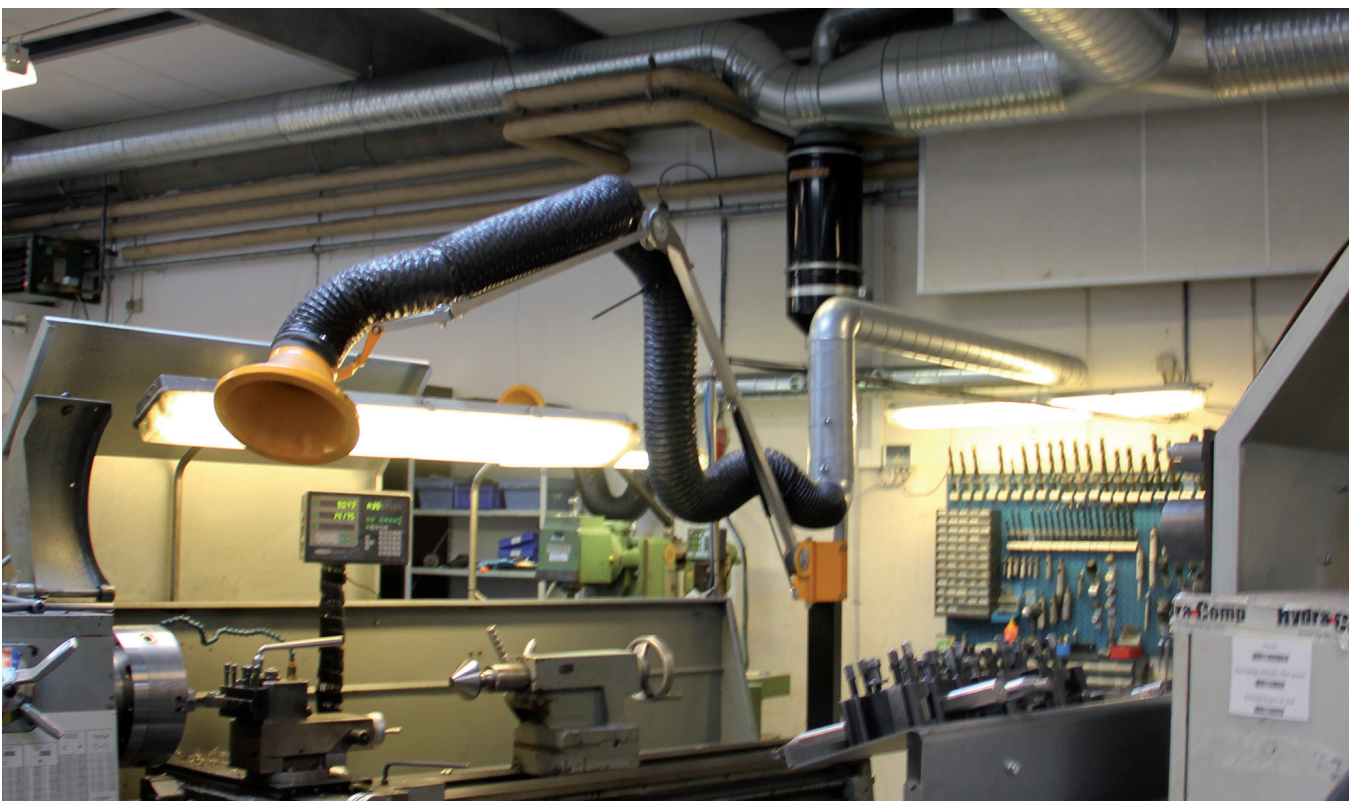
ASA-04	ASA-3 arm 2,0 m ø160 mm, complete
ASA-14	ASA-3 arm 3,0 m ø160 mm, complete
ASA-24	ASA-3 arm 4,0 m ø160 mm, complete

The ASA-3 arm can also be delivered in ø50 mm or with special hose upon request.

ASA-31	ASA-3 arm 2,0 m ø200 mm, complete
ASA-33	ASA-3 arm 3,0 m ø200 mm, complete
ASA-35	ASA-3 arm 4,0 m ø200 mm, complete



12-005	Tight damper for hood - ø80 mm
12-006	Tight damper for hood - ø100 mm
12-012	Tight damper for hood - ø125 mm
12-008	Tight damper for hood - ø160 mm
12-009	Tight damper for hood - ø200 mm

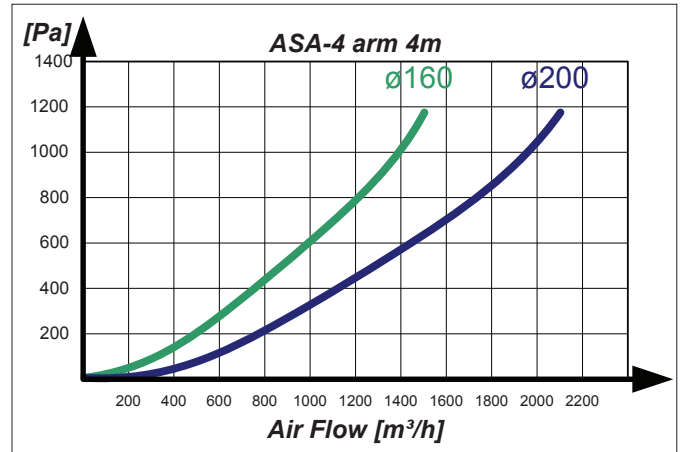
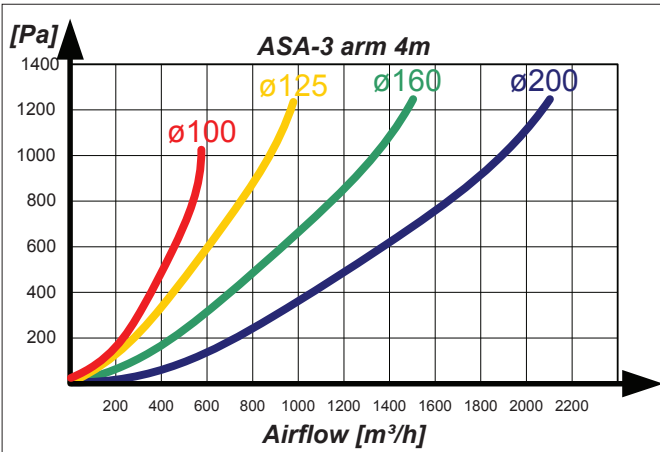
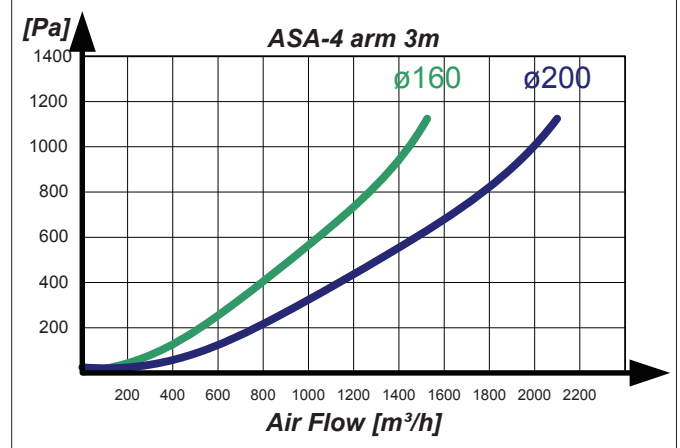
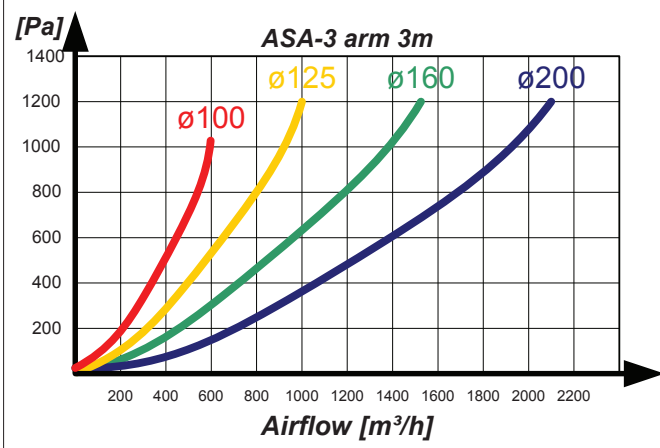
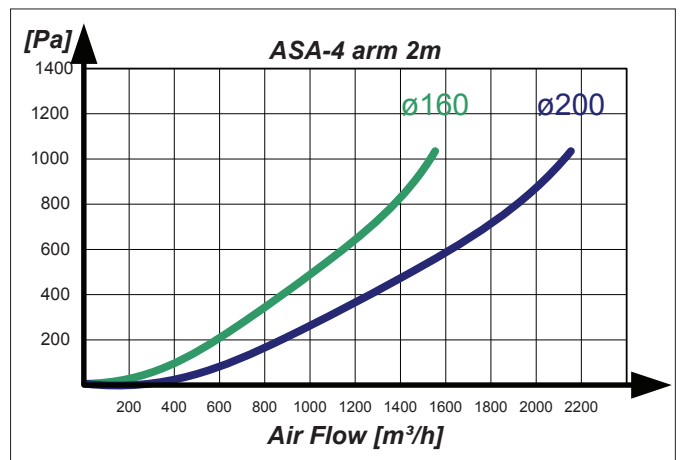
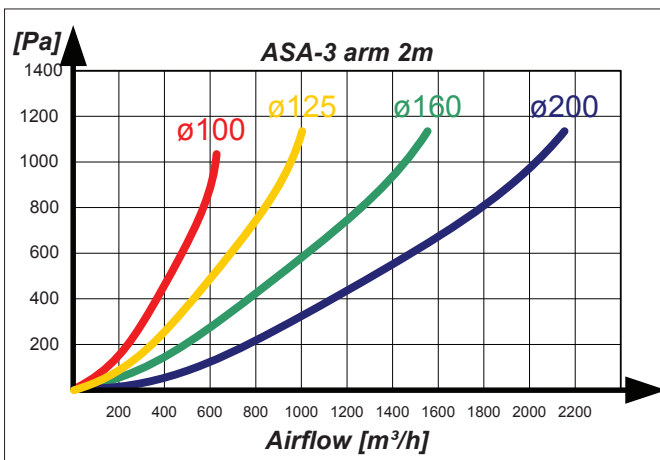


## ASA-4 arm, with external articulated arm, alu pipe and gas spring



Art. No.	Description
ASA4-2-160	ASA-4 arm 2m with $\varnothing$ 160mm alu-pipe, complete
ASA4-2-200	ASA-4 arm 2m with $\varnothing$ 200mm alu-pipe, complete
ASA4-3-160	ASA-4 arm 3m with $\varnothing$ 160mm alu-pipe, complete
ASA4-3-200	ASA-4 arm 3m with $\varnothing$ 200mm alu-pipe, complete
ASA4-4-160	ASA-4 arm 4m with $\varnothing$ 160mm alu-pipe, complete
ASA4-4-200	ASA-4 arm 4m with $\varnothing$ 200mm alu-pipe, complete
12-008	Tight damper for hood - $\varnothing$ 160 mm
12-009	Tight damper for hood - $\varnothing$ 200 mm

### Pressure drop curves - ASA-3 arm



## ESA arm



Art. No.	Description
01-650	ESA arm 2,0m $\varnothing$ 160 mm, complete arm incl. hose and wall bracket
01-651	ESA arm 3,0m $\varnothing$ 160 mm, complete arm incl. hose and wall bracket
01-652	ESA arm 4,0m $\varnothing$ 160 mm, complete arm incl. hose, wall bracket and extender
01-653	ESA arm 5,0m $\varnothing$ 160 mm, complete arm incl. hose, wall bracket and extender

01-660	ESA arm 2,0m $\varnothing$ 200 mm, complete arm incl. hose and wall bracket
01-661	ESA arm 3,0m $\varnothing$ 200 mm, complete arm incl. hose and wall bracket
01-662	ESA arm 4,0m $\varnothing$ 200 mm, complete arm incl. hose, wall bracket and extender
01-663	ESA arm 5,0m $\varnothing$ 200 mm, complete arm incl. hose, wall bracket and extender

01-681  
Ceiling bracket 360°



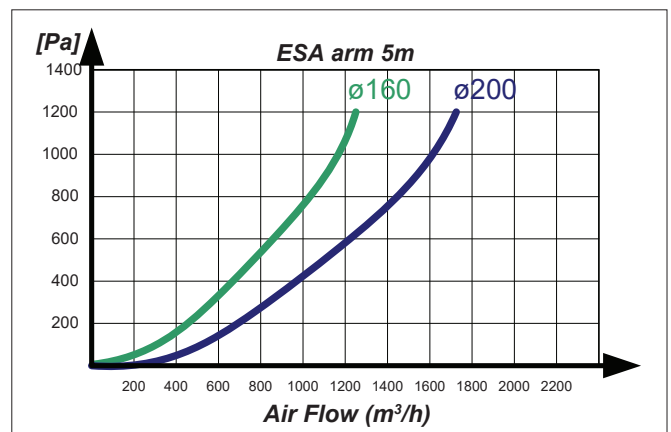
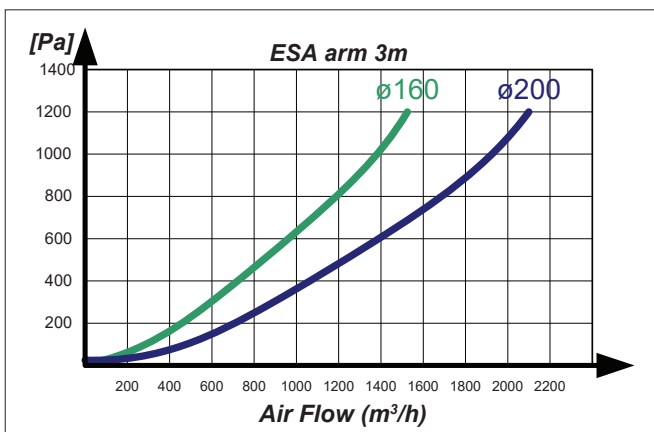
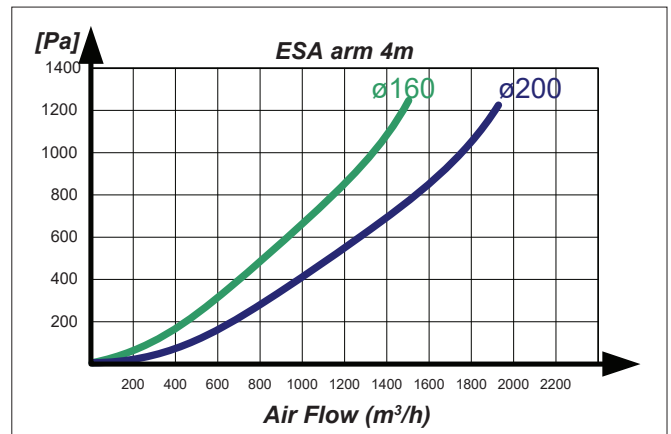
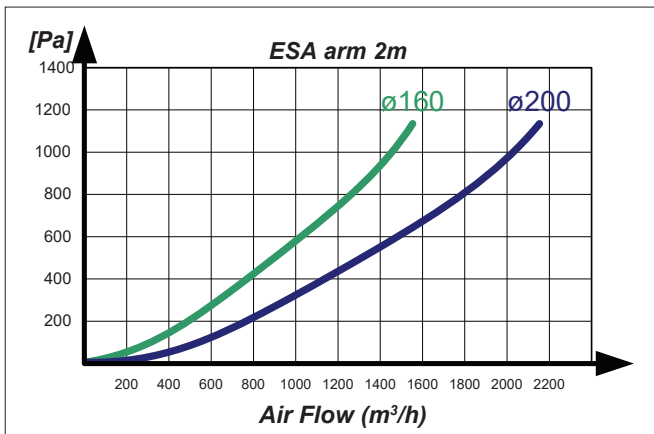
01-680	Universal bracket (floor/ceiling) L=400-1.200 mm
01-680A	Universal bracket (floor/ceiling) L=1.200-2.500 mm
01-681	Ceiling bracket, swivel 360°
01-682	LED Light set with switch for activating fan (signal to Multibox IV etc.)
01-179	Trafo 15 W electronic, 12V



12-008E	Tight damper - $\varnothing$ 160 mm
12-009E	Tight damper - $\varnothing$ 200 mm

01-670M	Hood $\varnothing$ 160 mm for ESA arm
01-670N	Hood $\varnothing$ 200 mm for ESA arm

## Pressure drop curves - ESA arm



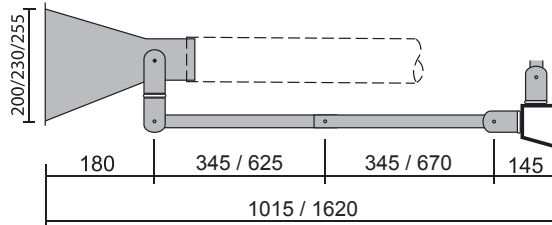
## MINI arm, with external articulated arm and hose



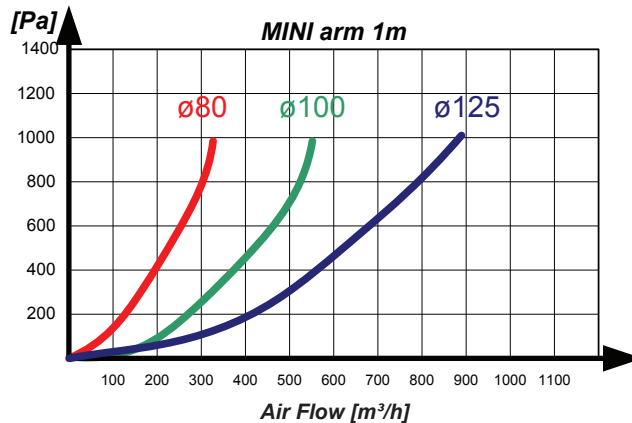
Art. No.	Description
MINI-01	MINI arm 1,0 m $\varnothing$ 80, complete
MINI-02	MINI arm 1,0 m $\varnothing$ 100, complete
MINI-03	MINI arm 1,0 m $\varnothing$ 125, complete
MINI-07	MINI arm 1,5 m $\varnothing$ 80, complete
MINI-08	MINI arm 1,5 m $\varnothing$ 100, complete
MINI-09	MINI arm 1,5 m $\varnothing$ 125, complete
12-005	Tight damper for hood - $\varnothing$ 80 mm
12-006	Tight damper for hood - $\varnothing$ 100 mm
12-012	Tight damper for hood - $\varnothing$ 125 mm
01-085	MINI arm 1,0m with wall/table console. Hose and hood not included.

See also accessories and hoods.

## Dimensions MINI arm



## Pressure drop curves - MINI arm



## GBC arm



01-860

Several variants are available.

Extraction and ventilation for waste collection stations, garbage rooms, and battery rooms. With focus on workers' health and a safe work environment it is increasingly important to ensure that employees and visitors to recycling stations are not exposed to hazardous fumes from waste and toxic materials.

Art. No.	Description
01-859	GBC arm $\varnothing$ 650 mm lid in 10 mm heavy duty acid proof acrylic with handle and $\varnothing$ 80 connection. Complete arm incl. wall bracket, 2 m hose and lid
01-860	GBC arm $\varnothing$ 700 mm lid in 10 mm heavy duty acid proof acrylic with handle and $\varnothing$ 80 connection. Complete arm incl. wall bracket, 2 m hose and lid
01-861	GBC arm 700x900 mm rectangular lid duty acid proof acrylic with handle and $\varnothing$ 80 connection. A typical garbage bin is 1.300x800 mm, so 2 sets are needed per bin. Complete arm incl. wall bracket, 2 m hose and lid

## Accessories for MINI, ASA-3 and ASA-4 arm



Art. No.	Description
06-121	Hood ø80 mm for ASA-3 and MINI arm
06-122	Hood ø100 mm for ASA-3 and MINI arm
06-123	Hood ø125 mm for ASA-3 and MINI arm
10-251	Hood ø160 for ASA-3 arm
10-255	Hood ø200 for ASA-3 arm

## Extension arm

The extension arm fits all our extraction arms.



01-553

Art. No.	Description
01-553	Wall Console L: 1m ASA. Incl. adapter. Fixed, not rotatable.
01-554	Extension arm 1 m, pivotable 180°, 1-joint. Incl. wall console, excl. bracket/adapter



Extension arm with WING adapter

01-181	Extension arm 2m, 1-joint for ø160 mm, incl. wall console, excl. adapter
01-181A	Extension arm 2m, 1-joint for ø200 mm, incl. wall console, excl. adapter
01-182	Extension arm 3m, 1-joint for ø160 mm, incl. wall console, excl. adapter
01-182A	Extension arm 3m, 1-joint for ø200 mm, incl. wall console, excl. adapter
01-183	Extension arm 4m, 1-joint for ø160 mm, incl. wall console, excl. adapter
01-183A	Extension arm 4m, 1-joint for ø200 mm, incl. wall console, excl. adapter
01-184	Extension arm 5m, 1-joint for ø160 mm, incl. wall console, excl. adapter
01-184A	Extension arm 5m, 1-joint for ø200 mm, incl. wall console, excl. adapter
01-186	Extension arm 4m, 2-joint for ø160 mm, incl. wall console, excl. adapter
01-186A	Extension arm 4m, 2-joint for ø200 mm, incl. wall console, excl. adapter
01-187	Extension arm 5 m 2-joint ø160 mm, incl. wall console
01-187A	Extension arm 5 m 2-joint ø200 mm, incl. wall console
01-188	Extension arm 6 m, 2-joint for 160 mm, incl. wall console
01-188A	Extension arm 6 m, 2-joint for 200 mm, incl. wall console

Extension arm in reinforced version for use with hose reels or other heavy products.



Adapter for ASA

Adapter for WING / COMPACT

Art. No.	Description
01-189	Extension arm 5 m, 2-joint for 160 mm, reinforced
01-189A	Extension arm 5 m, 2-joint for 200 mm, reinforced
01-190	Extension arm 6 m, 2-joint for 160 mm, reinforced
01-190A	Extension arm 6 m, 2-joint for 200 mm, reinforced
01-191	Extension arm 5 m, 1-joint for 160 mm, reinforced
01-191A	Extension arm 5 m, 1-joint for 200 mm, reinforced
01-192	Extension arm 6 m, 1-joint for 160 mm, reinforced
01-192A	Extension arm 6 m, 1-joint for 200 mm, reinforced



01-127

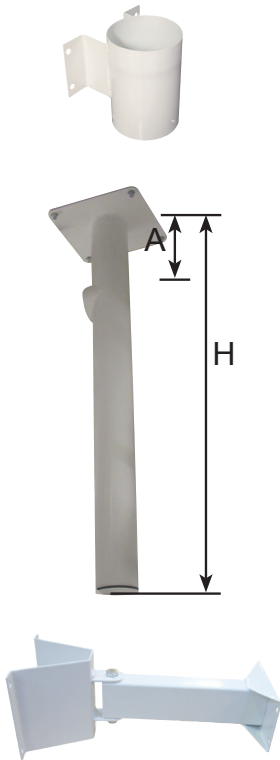
01-127A

01-195	Adapter for extension arm - WING / COMPACT ø160 mm
01-196	Adapter for extension arm - WING / COMPACT ø200 mm
01-197	Adapter for extension arm - ASA, universal
01-198	Adapter for extension arm - ESA, universal with locking bracket

01-127	Floor column for mounting of extraction arm - square column (ASA-3, ASA-4, WING and COMPACT). H: 2500 mm Floor plate: 330x330 mm Please state type of arm when ordering.
01-127A	Floor column for mounting of extension arm - round column (ASA-3, ASA-4, WING and COMPACT). H: 2500 mm Floor plate: 800x800 mm Please state type of arm when ordering.

## FLEXI arm, with internal articulated arm and hose

### STEP 1.



The extraction FLEXI arm's unique design is specifically designed for use in laboratories, hospital environments, clinics, etc. Positioning within the working area is done easily with the help of three friction joints and a 360° smooth-running rotary suspension.

Art. No.	Description
01-420	Wall console FLEXI - $\varnothing$ 100 mm
01-421	Table console FLEXI - $\varnothing$ 100 mm
01-422	Ceiling console FLEXI - $\varnothing$ 100 mm standard (H=1000 mm. A=125 mm) Table/ceiling bracket (direct ceiling mounting)
01-423	Ceiling console FLEXI - $\varnothing$ 100 mm Customized up to 1000 mm
01-424	Ceiling console FLEXI - $\varnothing$ 100 mm Customized 1000 - 2400 mm

01-440	Wall console FLEXI - $\varnothing$ 125 mm
01-441	Table console FLEXI - $\varnothing$ 125 mm
01-442	Ceiling console FLEXI - $\varnothing$ 125 mm Standard (H=1000 mm. A=125 mm)
01-443	Ceiling console FLEXI - $\varnothing$ 125 mm Customized up to 1000 mm
01-444	Ceiling console FLEXI - $\varnothing$ 125 mm Customized 1000 - 2400 mm

01-585	FLEXI FVK Extension 0,5 meters (requires wall console - 01-420 / 01-440)
01-586	FLEXI FVK Extension 1,5 meters

### FLEXI arm

### STEP 2.



NB: Without console and hood.

Art. No.	Description
01-430	FLEXI arm $\varnothing$ 100 mm L=700 mm
01-431	FLEXI arm $\varnothing$ 100 mm L=1000 mm
01-432	FLEXI arm $\varnothing$ 100 mm L=1500 mm

NB: Without console and hood. See above.

01-450	FLEXI arm $\varnothing$ 125 mm L=700 mm
01-451	FLEXI arm $\varnothing$ 125 mm L=1000 mm
01-452	FLEXI arm $\varnothing$ 125 mm L=1500 mm

NB: Without console and hood. See above.

### FLEXI arm – Accessories / Spare parts

### STEP 3.



Art. No.	Description
01-455	Standard Hood $\varnothing$ 100 mm FLEXI
01-456	Standard Hood $\varnothing$ 125 mm FLEXI

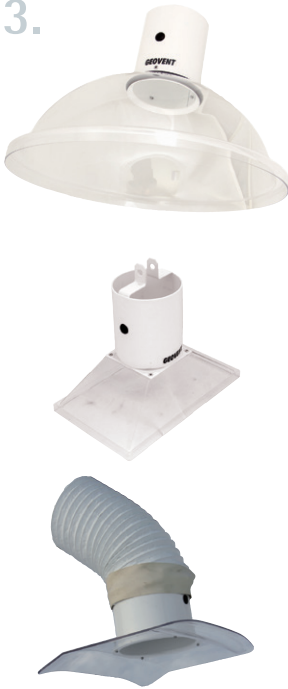
12-006	Tight damper $\varnothing$ 100 mm for use in hood
12-012	Tight damper $\varnothing$ 125 mm for use in hood

FLEXI arm is by default powder coated white, RAL 9016 gloss 60.

Other hoods by request, see next page.

PolyCarbonate hoods

STEP 3.



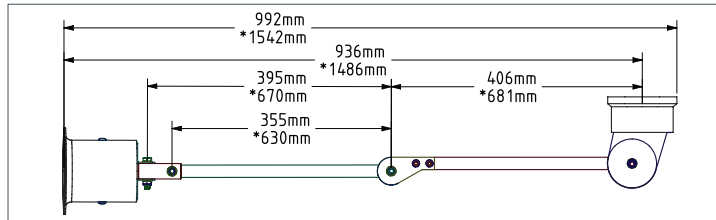
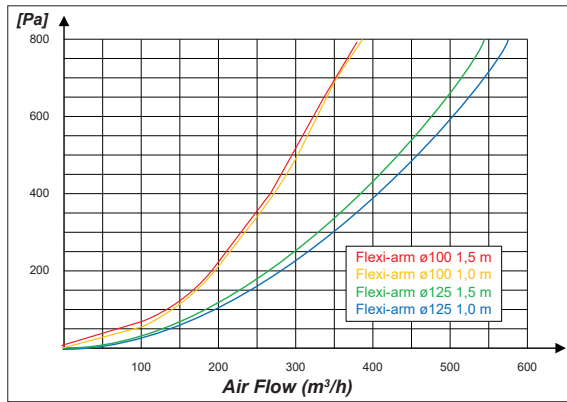
Art. No.	Description
Transparent PolyCarbonate hood $\varnothing$ 500 mm:	
01-568	Hood w/ $\varnothing$ 100 mm connection
01-569	Hood w/ $\varnothing$ 125 mm connection
Transparent PolyCarbonate hood $\varnothing$ 385 mm:	
01-566	Hood w/ $\varnothing$ 100 mm connection
01-567	Hood w/ $\varnothing$ 125 mm connection
Transparent PolyCarbonate hood $\varnothing$ 280 mm:	
01-564	Hood w/ $\varnothing$ 100 mm connection
01-565	Hood w/ $\varnothing$ 125 mm connection
Transparent PolyCarbonate hood 265 x 168 mm:	
01-558	Hood w/ $\varnothing$ 100 mm connection
Transparent PolyCarbonate hood $\varnothing$ 330 x 245 mm:	
01-556	$\varnothing$ 100 mm connection
01-557	$\varnothing$ 125 mm connection
For all PolyCarbonate hoods: please state which arm they are used for: A: ASA (ex. 01-568A) F: Flexi (ex. 01-568F)	
PolyCarbonate hoods are available in $\varnothing$ 160 mm and $\varnothing$ 200 mm for ASA, WING and COMPACT	

Pressure drop curves – dimensions FLEXI arm

Guiding pressure drop:



Dimensions:



\* FLEXI arm 1,5 m

FLEXI arm FSK



FLEXI arm FSK

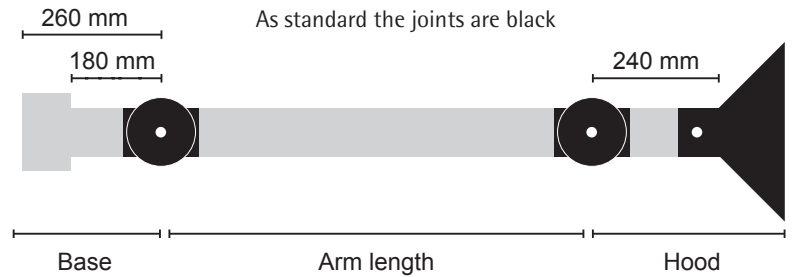
FLEXI arm FSK with horizontal attachment and it comes in two versions. One is fixed to the cabinet as standard (fx. 01-578S), the other arm is quick-release (fx. 01-578D) for easy detachment of the arm. Add S after the art. no. to get a fixed arm or add a D for a quick-release.

Art. No.	Description
01-578S/D	FLEXI arm FSK- $\varnothing$ 100 mm 1,0 m., incl. hood and wall console
01-579S/D	FLEXI arm FSK- $\varnothing$ 100 mm 1,5 m., incl. hood and wall console
01-580S/D	FLEXI arm FSK- $\varnothing$ 125 mm 1,0 m., incl. hood and wall console
01-581S/D	FLEXI arm FSK- $\varnothing$ 125 mm 1,5 m., incl. hood and wall console



## PERMA arm 2 and 3 joint

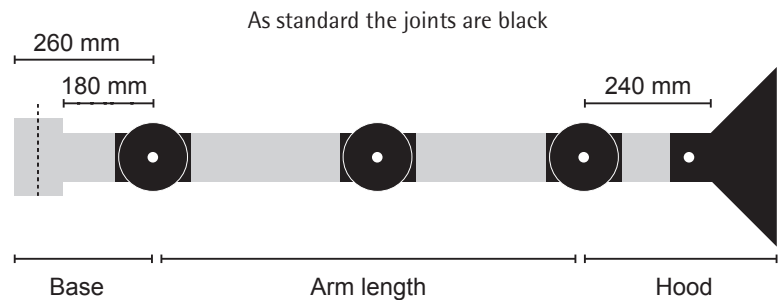
The PERMA arm is suitable for use in laboratories, hospitals, dental clinics, pharmacies, veterinarians, foot therapists, hairdressing salons, jewelers, schools, slaughterhouses, dairies and extraction in supermarkets. In addition, the suction arm is suitable for the electronics industry, chemical, plastics and mechanical industries. (ATEX / ESD approved)



Example: PERMA arm  $\varnothing 57$  ATEX / ESD, 580 mm 2 joint  
The 580 mm is from center joint to center joint.



PERMA arm with a white joint



Example: PERMA arm  $\varnothing 57$  ATEX / ESD, 1150 mm 3 joint  
The 1150 mm is from center joint to center joint.

### Guide for PERMA arm use:

Sectors	PERMA arm			
	$\varnothing 57$	$\varnothing 57$ ATEX / ESD	$\varnothing 76$	$\varnothing 76$ ATEX / ESD
Dental Technician	x <sup>1</sup>		x <sup>1</sup>	
Veterinarians and clinics			x <sup>2</sup>	
Podiatrists	x <sup>6</sup>			
Nail Clinic	x <sup>1</sup>			
Doctors and specialists	x <sup>1</sup>		x <sup>5</sup>	
Laboratories		x <sup>1 2</sup>	x <sup>1 2</sup>	x <sup>1 2</sup>
Hospitals			x <sup>1</sup>	
Pharmacies			x <sup>2</sup>	
Gold and silversmiths	x <sup>1</sup>		x <sup>2</sup>	
Hairdressing	x <sup>3</sup>			
Classrooms in schools, colleges and universities	x <sup>1</sup>		x <sup>1 4</sup>	
Electronics industry		x <sup>1</sup>		x <sup>1</sup>

Chemicals:	<sup>1</sup> Extraction arm with flexible hoses and suction tip
	<sup>2</sup> Extraction arm with dome or funnel
	<sup>3</sup> Extraction arm with flat screen, dome or funnel
Odour:	<sup>2</sup> Extraction arm with dome or funnel
	<sup>4</sup> Extraction arm with suction funnel or dome
Gas, smell:	<sup>4</sup> Extraction arm with suction funnel or dome
Solder Fume:	<sup>1</sup> Extraction arm with flexible hoses and suction tip
Anaesthetic Gases:	<sup>5</sup> Extraction arm with suction funnel
Dust:	<sup>1</sup> Extraction arm with flexible hoses and suction tip
Grinding dust:	<sup>6</sup> Extraction arm with suction funnel and hose

# STEP 1.

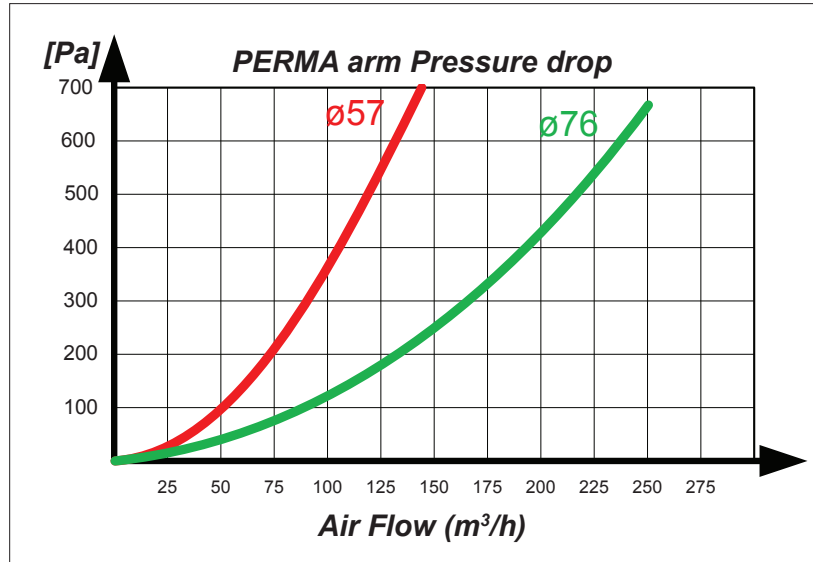
Choose color and size



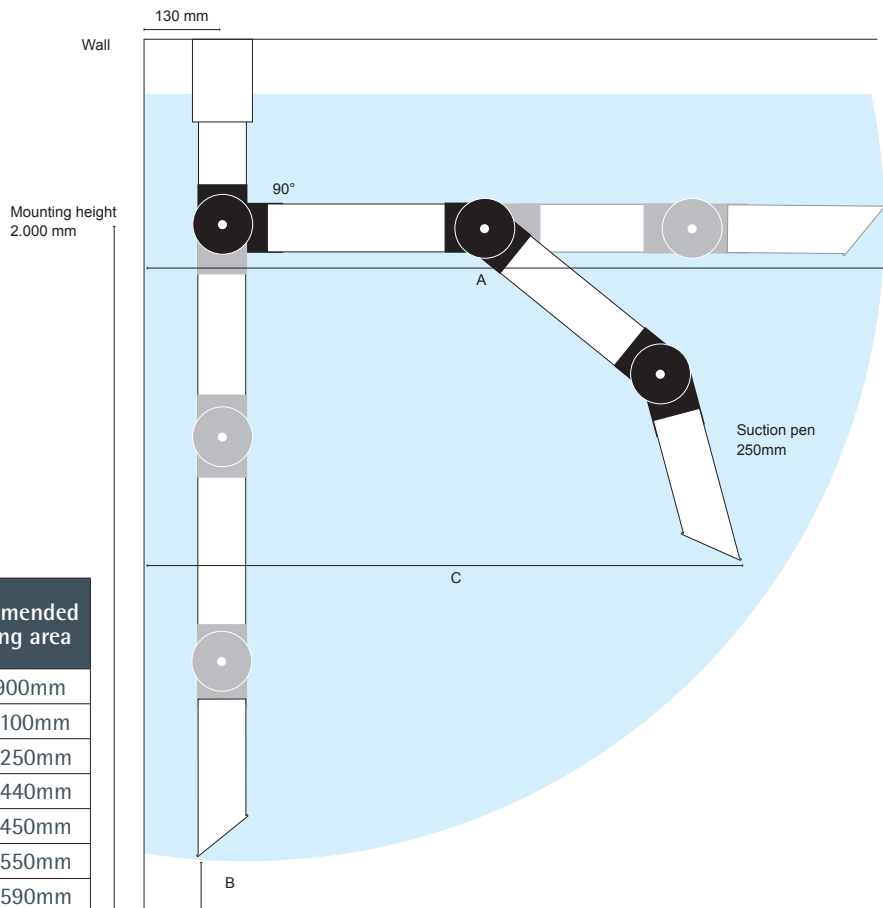
## Pressure drop - PERMA arm

Guiding airflow:

- ø57 mm 50-90 m<sup>3</sup>/h
- ø76 mm 80-180 m<sup>3</sup>/h



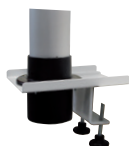
## Working area



Arm-length	A	B	Recommended working area
750mm	1210mm	900mm	500-900mm
950mm	1410mm	700mm	600-1100mm
1150mm	1610mm	500mm	600-1250mm
1250mm	1710mm	400mm	650-1440mm
1350mm	1810mm	300mm	700-1450mm
1420mm	1880mm	230mm	700-1550mm
1490mm	1950mm	160mm	750-1590mm

## PERMA arm, base/mounting bracket

### STEP 2.



Art. No	Description
10-315	Base for wall/ceiling L: 150 mm, ø57 mm, connection to ø100 mm duct
10-415	Base for wall/ceiling L: 180 mm, ø76 mm, connection to ø100 mm duct
10-500	Table bracket mounted directly in table, ø57 mm, hole in the table ø71 mm and connection ø63 mm NP. Pipe length: 260 mm
10-500A	Table bracket mounted directly in table, ø76 mm, hole in the table ø88 mm and connection ø80 mm NP. Pipe length: 260 mm
10-501	Table bracket, ø57 mm, attached to the table edge and connection ø63 mm, NP - Pipe length: 260 mm
10-501A	Table bracket, ø76 mm, attached to the table edge and connection ø80 mm, NP - Pipe length: 260 mm

## PERMA arm ø57 mm, self-supporting arm, 2 or 3 joints

### STEP 3.



Art. No.	Description
10-300*	PERMA arm, L: 380 mm 2 joints white or black, ø57 mm
10-301*	PERMA arm, L: 480 mm 2 joints, white or black, ø57 mm
10-302*	PERMA arm, L: 580 mm 2 joints, white or black, ø57 mm
10-303*	PERMA arm, L: 750 mm 3 joints, white or black, ø57 mm
10-304*	PERMA arm, L: 950 mm 3 joints, white or black, ø57 mm
10-305*	PERMA arm, L: 1150 mm 3 joints, white or black, ø57 mm
10-306*	PERMA arm, L: 1250 mm 3 joints, white or black, ø57 mm
10-307*	PERMA arm, L: 1350 mm 3 joints, white or black, ø57 mm
10-308*	PERMA arm, L: 1420 mm 3 joints, white or black, ø57 mm
10-309*	PERMA arm, L: 1490 mm 3 joints, white or black, ø57 mm

All PERMA arms are incl. damper.

\* The PERMA arms are available in 4 versions – black or white joints (S/H) or table mounting or ceiling/wall mounting (B/L)

Therefore, an extension to the Art. No. added:

SL = Black for ceiling/wall HL = White for ceiling/wall SB = Black for table HB = White for table.

## PERMA arm ø76 mm, self-supporting arm, 2 or 3 joints



Art. No.	Description
10-400*	PERMA arm, L: 380 mm 2 joints, white or black, ø76 mm
10-401*	PERMA arm, L: 480 mm 2 joints, white or black, ø76 mm
10-402*	PERMA arm, L: 580 mm 2 joints, white or black, ø76 mm
10-403*	PERMA arm, L: 750 mm 3 joints, white or black, ø76 mm
10-404*	PERMA arm, L: 950 mm 3 joints, white or black, ø76 mm
10-405*	PERMA arm, L: 1150 mm 3 joints, white or black, ø76 mm
10-406*	PERMA arm, L: 1250 mm 3 joints, white or black, ø76 mm
10-407*	PERMA arm, L: 1350 mm 3 joints, white or black, ø76 mm
10-408*	PERMA arm, L: 1420 mm 3 joints, white or black, ø76 mm
10-409*	PERMA arm, L: 1490 mm 3 joints, white or black, ø76 mm

All PERMA arms are incl. damper.

\* The PERMA arms are available in 4 versions – black or white joints (S/H) or table mounting or ceiling/wall mounting (B/L)

Therefore, an extension to the Art. No. added:

SL = Black for ceiling/wall HL = White for ceiling/wall SB = Black for table HB = White for table.

## Extraction hoods and suction pen

### STEP 4.



10-476

Art. No.	Description
10-321	Aluminum hood conical $\varnothing$ 150 mm, $\varnothing$ 57 mm
10-421	Aluminum hood conical $\varnothing$ 150 mm, $\varnothing$ 76 mm
10-316	Hood $\varnothing$ 380 mm, polycarbonate, $\varnothing$ 57 mm
10-416	Hood $\varnothing$ 380 mm, polycarbonate, $\varnothing$ 76 mm
10-316A	Hood $\varnothing$ 280 mm, polycarbonate, $\varnothing$ 57 mm
10-416A	Hood $\varnothing$ 280 mm, polycarbonate, $\varnothing$ 76 mm
10-317	Conical hood $\varnothing$ 250, polycarbonate, $\varnothing$ 57 mm
10-417	Conical hood $\varnothing$ 250, polycarbonate, $\varnothing$ 76 mm
10-318	Conical hood $\varnothing$ 250 mm, with flextube 300 mm, polycarbonate $\varnothing$ 57 mm
10-418	Conical hood $\varnothing$ 250 mm, with flextube 300 mm, polycarbonate $\varnothing$ 76 mm
10-319	Conical hood $\varnothing$ 250 mm, with straight edge, polycarbonate, $\varnothing$ 57 mm
10-419	Conical hood $\varnothing$ 250 mm, with straight edge, polycarbonate, $\varnothing$ 76 mm
10-320	Conical hood $\varnothing$ 250 mm, with straight edge and flextube 300 mm, polycarbonate $\varnothing$ 57 mm
10-420	Conical hood $\varnothing$ 250 mm, with straight edge and flextube 300 mm, polycarbonate $\varnothing$ 76 mm
10-329	Hood oval 140x180 mm, polycarbonate, $\varnothing$ 57 mm
10-323	Flat screen 340x250 mm, polycarbonate, $\varnothing$ 57 mm
10-425	Flat screen 340x250 mm, polycarbonate, $\varnothing$ 76 mm
Tube 180 mm connecting the hood with the arm is included	
10-324	Suction pen alu, L: 250 mm, $\varnothing$ 57 mm
10-422	Suction pen alu, L: 250 mm, $\varnothing$ 76 mm
10-325	Suction pen alu, L: 350 mm, $\varnothing$ 57 mm
10-423	Suction pen alu, L: 350 mm, $\varnothing$ 76 mm
10-324A	Suction pen alu, L: 250 mm, with lip, $\varnothing$ 57 mm
10-422A	Suction pen alu, L: 250 mm, with lip, $\varnothing$ 76 mm
10-325A	Suction pen alu, L: 350 mm, with lip, $\varnothing$ 57 mm
10-423A	Suction pen alu, L: 350 mm, with lip, $\varnothing$ 76 mm
10-326	Suction pen alu, L: 150 mm with flextube L: 300 mm, $\varnothing$ 57 mm
10-424	Suction pen alu, L: 150 mm with flextube L: 300 mm, $\varnothing$ 76 mm
10-326A	Suction pen alu, with lip, L: 150 with flextube L: 300 mm, $\varnothing$ 57 mm
10-424A	Suction pen alu, with lip, L: 150 with flextube L: 300 mm, $\varnothing$ 76 mm
10-370	Suction pen alu, L: 150 mm with flextube L: 600 mm and damper, $\varnothing$ 57 mm
10-371	Suction pen alu, L: 150 mm with flextube L: 900 mm and damper, $\varnothing$ 57 mm
10-476	Light kit incl. LED driver and on/off switch

Pipe 180 mm connecting the hood with the arm is included

## Mounting brackets / pipes

### STEP 5.



Art. No.	Description
10-502	Ceiling console with side connection L: 250 mm, ø100 mm duct
10-503	Ceiling console with side connection L: 350 mm, ø100 mm duct
10-504	Ceiling console with side connection L: 500 mm, ø100 mm duct
10-505	Ceiling console with side connection L: 750 mm, ø100 mm duct
10-506	Ceiling console with side connection L: 1000 mm, ø100 mm duct
10-507	Pipe white ø100 mm, L: 500 mm
10-508	Pipe white ø100 mm, L: 1000 mm
10-515	Connection nipple, ø100 mm, for assembly of ceiling console and pipes
10-509	Wall bracket for pipe, ø100 mm, 75 mm from the wall
10-509A	Wall bracket for base/pipe, ø100 mm, L: 120 mm
10-511	Ceiling bracket open ø100 mm - 200x200 mm
10-512	Branch pipe ø100 mm, B: 620 x H: 250 mm - used for 1 outlet and 2 arms
10-514	Support bracket for ceiling pipes ø100 mm
We recommend that all arms and hoods are cleaned with water	



# OIL MIST FILTERS

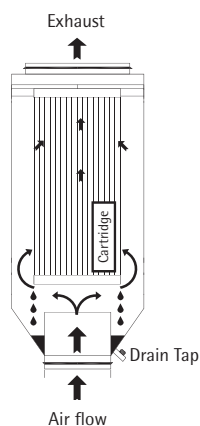


## GFO 315 Filter

The Geovent GFO 315 filter is used for filtration of oil mists from CNC lathes, cutting and drilling machinery etc., and has a capacity of up to 1.000 m<sup>3</sup>/h and up to 99% separation degree.

The filter is easy to install and service, and is equipped with a drain tap for recycling of collected oil.

The filter cartridge consist of a polyester filter membrane, which tolerates both oil and water-based mists and smoke.

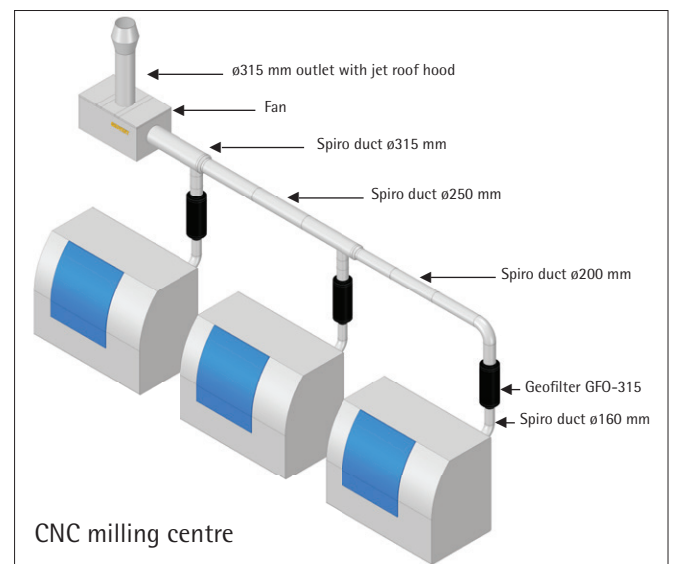


GEOVENT oil mist filters are available in different versions to suit different needs.

The smaller Geofilter Oil covers cutting machines up to 600 m<sup>3</sup>/h.

GFO XT has a capacity of up to 10.000 m<sup>3</sup>/h per unit.

The filters can be connected in parallel for filtration of larger air flows.



# FILTERS



## Customized oil filter solution

In cooperation with the customer and the installer, Geovent designed a solution for filtration of oil mist from a melting process. The oil mist also contains particles of soot, which complicates the filtration. The solution is based on standard products and takes place in 3 steps for optimized separation and long service life.



Motorized height adjustable hood (customized solution), mounted on standard extension arm.

# DUST FILTERS



GEOVENT filters are used in a number of different processes, such as filtering welding smoke and various kinds of dust. Our filters meet the increasingly strict requirements and ensure a healthy working environment.

With our series of compressed air cleaning cartridge filters, we can handle most filtering tasks - including ATEX.

With an effective filtration of the extracted air, heat recovery is possible.

By recovering heat from the extracted air, the energy use is minimized, and therefore contributes to a reduction in CO<sub>2</sub> consumption.



Customized solution with GFB filter, fan and frequency inverter - all mounted on the same frame.



# FILTERS



GFB2 filter customized design with insulation and painted gray.

## GeoFilter Oil – oil mist filtration



Art. No.	Description
15-020	GeoFilter Oil 100 400x400 – up to 95% filtration. Max. airflow: 400 m <sup>3</sup> /h. Initial pressure drop: 100 Pa v. 400 m <sup>3</sup> /h. Inkl. ALU-Filtermat
15-220	GeoFilter Oil 160 400x600 – up to 95% filtration. Max. airflow: 600 m <sup>3</sup> /h. Initial pressure drop: 150 Pa v. 600 m <sup>3</sup> /h. Inkl. ALU-Filtermat
15-030	Replacement filter for GeoFilter Oil 100 – 400x400 mm
15-031	Replacement filter for GeoFilter Oil 160 – 400x600 mm

## GFO 315 – 99% oil mist filtration



GFO 315 SMALL

GFO 315 + GFO 315 EXT

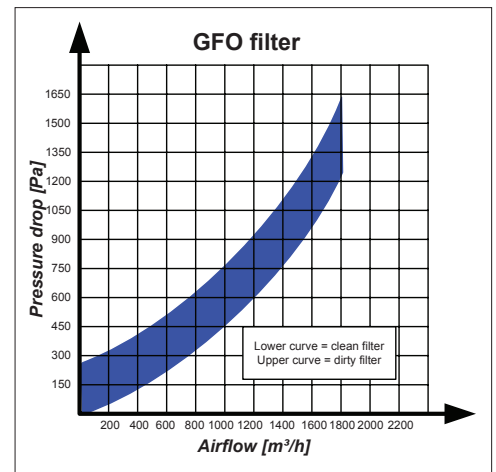
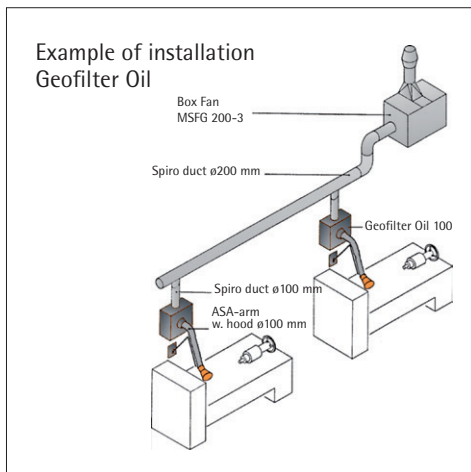
Art. No.	Description
15-319	GeoFilter GFO 315 SMALL - up to 99% oil mist filtration. Max airflow: 300 m <sup>3</sup> /h. Inlet = ø160 mm, outlet = ø160 mm
15-334	Replacement filter cartridge for GFO 315 SMALL
15-320	GeoFilter GFO 315 - up to 99% oil mist filtration. Max airflow: 800 m <sup>3</sup> /h. Inlet = ø200 mm, outlet = ø315 mm
15-335	Replacement filter cartridge for GFO 315 filter Filterwrap for 15-335.
15-338	Acts as prefilter for the filter cartridge, so it is charged less. An efficient and cheap solution, recommended for heavy load processes.
15-321	GoeFilter GFO 315 EXT - up to 99% oil mist filtration. Max airflow: 1.000 m <sup>3</sup> /h. Inlet = ø200 mm, outlet = ø315 mm Extended filter, for increased filter load
15-336	Replacement filter cartridge for GFO 315 EXT and GFO XT filter, extended cartridge Filterwrap for 15-336.
15-339	Acts as prefilter for the filter cartridge, so it is charged less. An efficient and cheap solution, recommended for heavy load processes.

## GFO XT – for oil mist filtration at several work stations



GFO XT – up to 99% oil mist filtration. The filter is used as zone filter for large processing centers, for example, or as central filter for several lathers/cutters etc. The filter is equipped with polypropylene filter cartridges. Recommended end pressure drop = 1200Pa. Reservoir with drain tap and sight glass for oil level control. Normal load should be less than max. load.

Art. No.	Description	Filter area	Max. m <sup>3</sup> /h
15-353	GFO XT-3	14,7 m <sup>2</sup>	2.400
15-354	GFO XT-6	29,4 m <sup>2</sup>	4.800
15-355	GFO XT-9	44,1 m <sup>2</sup>	7.200
15-356	GFO XT-12	58,8 m <sup>2</sup>	9.600



# GEOFILTER GFO 500

Geofilter GFO 500 is an industrial filter suitable for high load oil mist filtration. It is designed for a wide range of applications in CNC machine centres, lathes and other machines which generate oil mist in connection with oil or water cooling.

## Main characteristics:

Filtration efficiency: 99,9% filtration at 0,3 microns for oil mist.  
 AirFlow: 4.000 m<sup>3</sup>/h to 12.600 m<sup>3</sup>/h.  
 Peak load: Up to 20.000 m<sup>3</sup>/h.  
 Filter cartridges: 40 m<sup>2</sup> to 120 m<sup>2</sup> polypropylene filter cartridge.

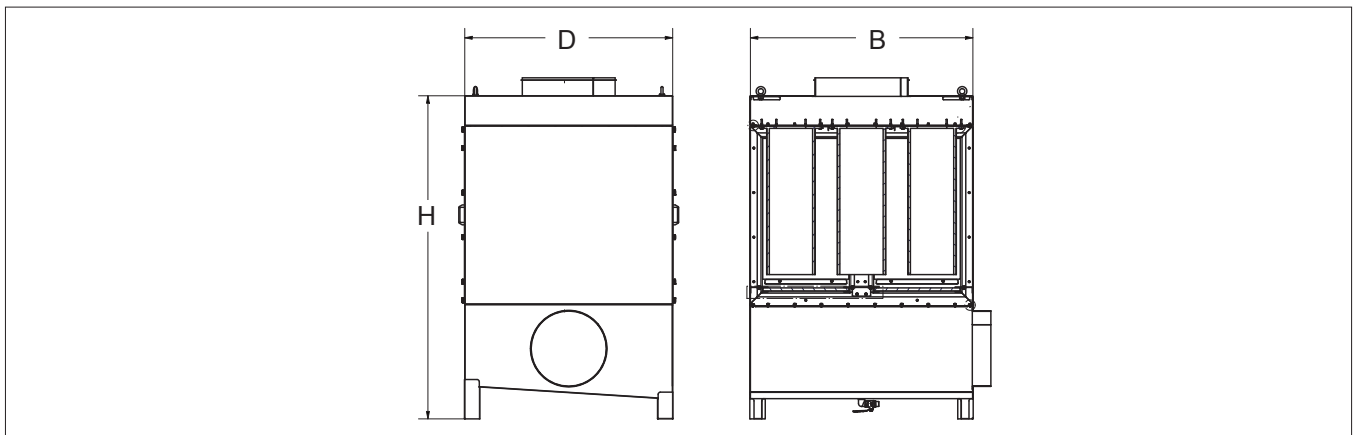
Three filtration stages: Drip and separation filter, Main filter cartridges, HEPA filter (optional)



## Geofilter GFO 500

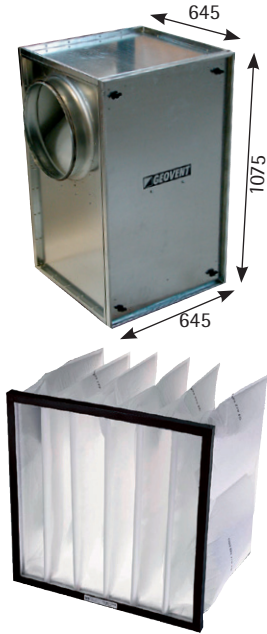


Art. No.	Description	Filter area	Max m <sup>3</sup> /h
15-370	GFO 500-3	4.200	40
15-371	GFO 500-6	8.400	80
15-372	GFO 500-9	12.600	120
15-373	GFO 500-3H Hepa	4.200	40
15-374	GFO 500-6H Hepa	8.400	80
15-375	GFO 500-9H Hepa	12.600	120



Model/Dimension [mm]	H	D	B	Inlet	Outlet
GFO 500-3	2250	1400	890	350	400
GFO 500-6	2250	1400	1093	400	500
GFO 500-9	2250	1400	1500	500	630
GFO 500-3H Hepa	2750	1400	890	350	400
GFO 500-6H Hepa	2750	1400	1093	400	500
GFO 500-9H Hepa	2750	1400	1500	500	630

## GeoFilter GF4



The GF4 filter is designed for smaller concentrations of dust. Filtration up to 95%, depending on the filter type. Max. airflow: 4000 m<sup>3</sup>/h.

Art. No.	Description
15-504	GeoFilter GF4-1 Coarse 65% (G4) - ø400 mm
15-503	GeoFilter GF4-2 ePM10 60% (M5) - ø400 mm
15-502	GeoFilter GF4-3 ePM1 80% (F9) - ø400 mm outlet in top

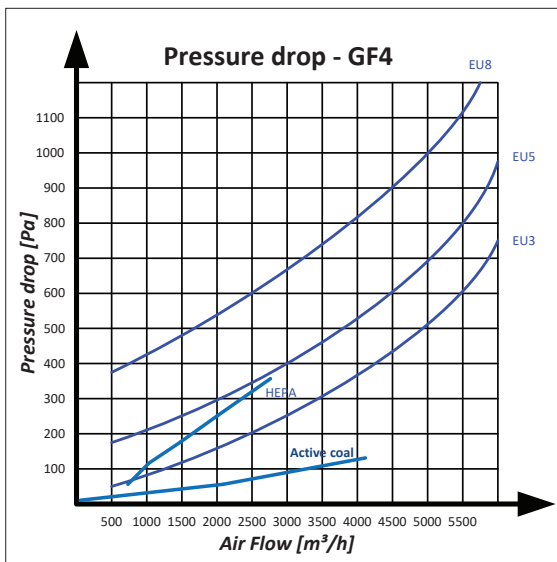
15-516	Replacement filter Coarse 65% (G4) 592x592x360 mm*
15-517	Replacement filter ePM10 60% (M5) 592x592x360 mm*
15-518	Replacement filter ePM1 80% (F9) 595x595x635 mm*
15-519	Activ carbon filter for GF4, ePM1 60% (F9) filter with added carbon*

\*According to EN ISO 16890

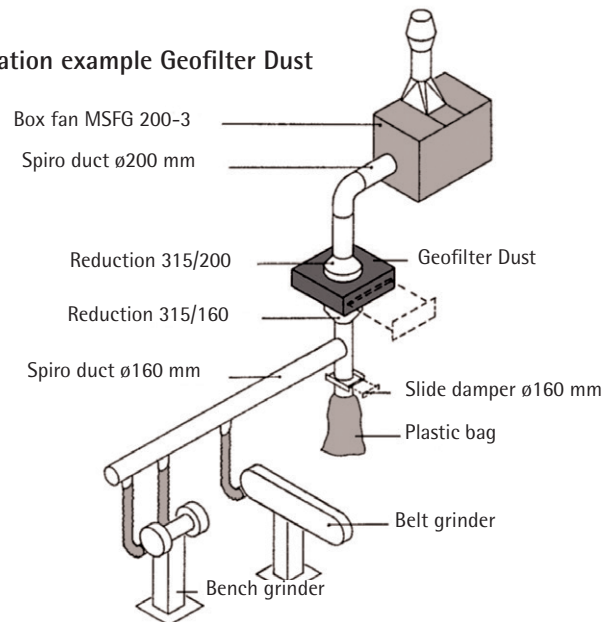
15-506	GeoFilter GF4 Hepa H14 - ø400 mm
--------	----------------------------------

15-520	Replacementfilter HEPA H14 for GF4 592x592x292 mm*
--------	--

\*According to EN1822:2010



### Installation example Geofilter Dust



## GeoFilter Dust



15-322 GeoFilter GF 315

Art. No.	Description
15-051	GeoFilter Dust with 500 x 500 mm Coarse 80% (G4) surface filter. Start pressure drop 70 Pa at 1.500 m <sup>3</sup> /h. Max. airflow:1.500 m <sup>3</sup> /h. Connection ø315 mm NP

15-035	Replacement filter ePM10 50% (M5) 500x500 mm for GeoFilter Dust
15-036	Replacement filter Coarse 80% (G4) 500x500 mm for GeoFilter Dust

\*According to EN ISO 16890

56-074	Reduction MF315/NP160 mm for GeoFilter Dust
56-075	Reduction MF315/NP200 mm for GeoFilter Dust

15-322	GeoFilter GF 315. Cartridge filter for smoke/dust. 18 m <sup>2</sup> - without cleaning system. Inlet/outlet = ø200 mm. H: 800 mm - ø400 mm. Air Flow: 800 - 1500 m <sup>3</sup> /h. With snap flanges for easy service access. Incl. F9 filter cartridge.
15-340	Filter cartridge for GF 315 F9 - 10 <sup>2</sup>
15-341	Filter cartridge for GF 315 H14 - 18 m <sup>2</sup>

## Dustbox CFU-1000



Dustbox with fan and manual compressed air cleaning.



Filter cartridge for CFU-1000

The Dustbox CFU-1000 is a compact filter unit, well suited for extraction of particles from grinding processes and more. 10 m<sup>2</sup> polyester filter cartridge, filtration efficiency 99,9% at 0,3µm. H: 880 mm, W: 500 mm, D: 500 mm. Inlet/outlet: 160 mm NP

- Max. airflow: 1.500 m<sup>3</sup>/h, recommended 1.000 m<sup>3</sup>/h.
- Well suited for grinding dust, welding smoke and more.
- Recommended end pressure drop before cartridge replacement: Max 1.800 Pa
- The ideal filter for smaller filtration needs with high demands for filtration efficiency.

Art. No.	Description
15-100	Dustbox CFU-1000, ex. fan
15-111	Complete Dustbox CFU-1000 with fan, Circuit breaker and automatic compressed air cleaner

15-101	Fan for Dustbox CFU-1000 with enclosed B-impeller, 1,1kW, 3x400V, 50Hz, 2800 rpm
15-102	Soundproofing for Dustbox CFU-1000
15-103	Automatic control for Dustbox CFU-1000 (motor guard, pressure guard and more)
15-104	Manual compressed air cleaning, CFU-1000
15-105	Automatic compressed air cleaning, CFU-1000
15-108	Filter cartridge for CFU-1000

## Geovent filter media use

Application	Art. No.	15-335	15-480 FL	15-108 Dustbox	15-482FL	03-260 HVU	03-259 HVU	03-260 HVU-it	15-480AFL	15-481FL	15-483FL
Oil Mist		X									
Dry welding smoke										X	
Oil saturated welding smoke										P*	
Foundry										X	
Zink						X	X	X			X
Powder Coating			X						X		
Plasma/laser cutting					P*						
Sand blasting / Sand			X								
Sand blasting/ Glas									F*		
Sand blasting / enamel, steel, aluminium						X	X	X			
Grinding			X	X		X	X	X		X	
Unspecified dust without smoke			X								
Milk powder											X
Spice											A*
Tobacco											A*
Paper									X		
Chalk										X	
Cement										X	
Wood dust									A*		

\*Notes: P = Pre-coat F = Moisture resistant A = ATEX approved

# GEOFILTER GFC

Geovent GFC is a filter unit for cleaning return air, intake air or circulated air to remove toxic gases, odours, aerosols, VOCs etc. from industrial production processes.

The air passes through the activated carbon pellets, which are housed in a robust filter basket. This cleans the air of the unwanted substances.

The cylindrical shape of the carbon pellets and their high porosity make these carbon pellets effective for the purpose. At the same time, minimal pressure loss is ensured during purification. The properties of the activated carbon determines which substances are purified. For example, the pellets can be impregnated to eliminate harmful substances such as mercury.

Geovent GFC is an economical and effective solution when concentrations of harmful substances are not excessive. At the same time less energy is used for filtration.

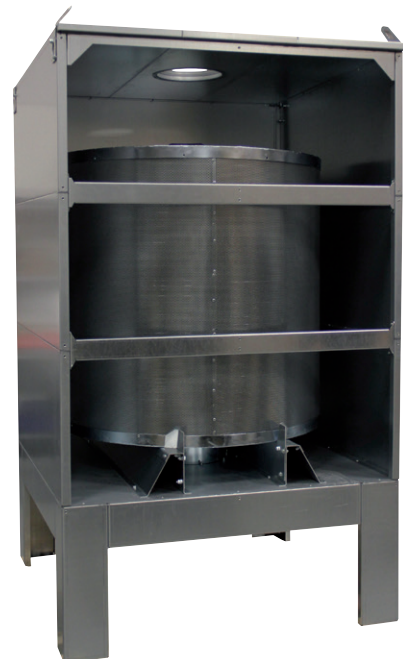
When selecting a solution using activated carbon for cleaning, various information is required when ordering. In particular, you need to know

- The volume of air to be purified
- The type of gas/particles etc. the air contains
- The concentration of gas/particles or the amount of Kg emission
- The desired purification efficiency

Once this is clear, a decision can be made on:

- What type of activated carbon should be used?
- How large a filter should be used?
- Should several filters be installed – and should they be installed in series or in parallel?  
Parallel installation provides a higher filtration capacity. Serial installation provides more efficient cleaning.
- What air velocity should be used?  
If the air velocity is high, the air is in contact with the coals for a shorter time and the cleaning efficiency is lower.

Send us a specification of your problem and we will help you find the right solution.



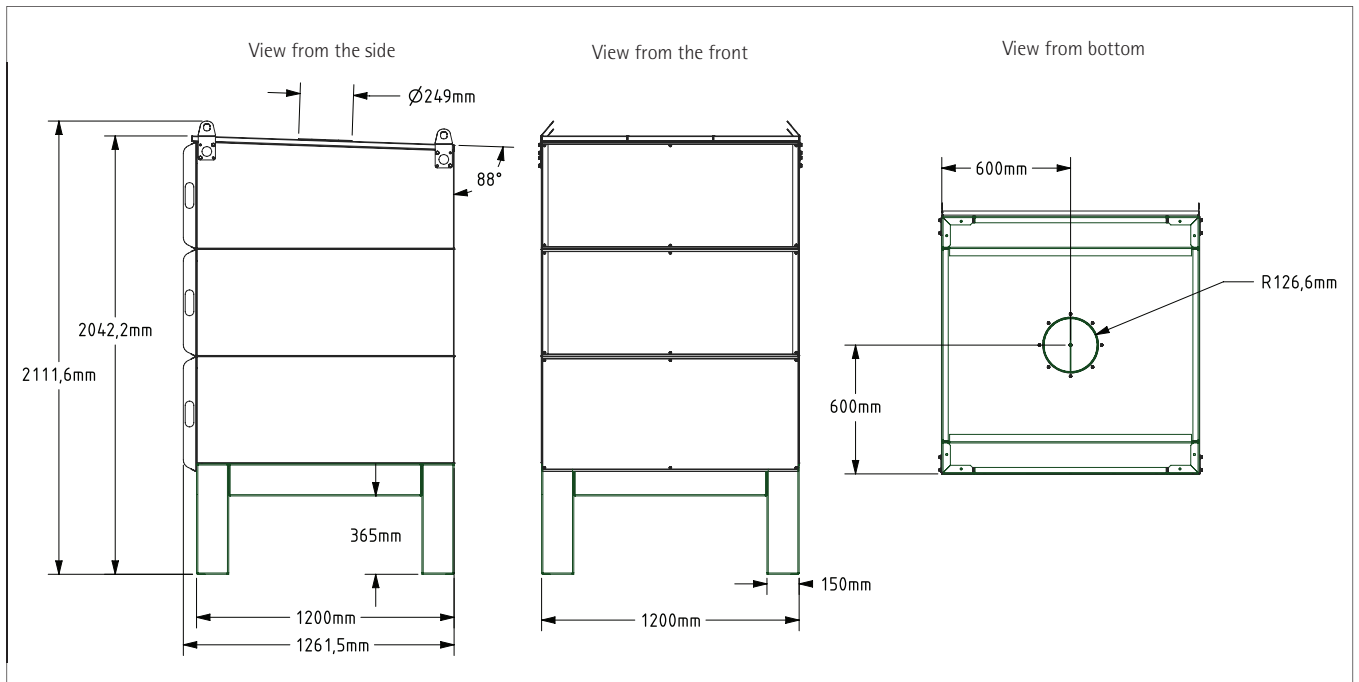
## Geofilter GFC



Art. No.	Description	Max filter capacity	Max m <sup>3</sup> /h
15-580	GeoFilter GFC-75, incl. basket	75 kg activated carbon	1.950
15-581	GeoFilter GFC-150, incl. basket	150 kg activated carbon	3.900
15-582	GeoFilter GFC-225, incl. basket	225 kg activated carbon	6.000
15-583	GeoFilter GFC-300, incl. basket	300 kg activated carbon	7.800

Art. No.	Description
15-580A	Basket for activated carbon - GFC-75
15-581A	Basket for activated carbon - GFC-150
15-582A	Basket for activated carbon - GFC-225
15-583A	Basket for activated carbon - GFC-300

## Data for GeoFilter GFC



Model/Dimension	Height	Width	Depth	Inlet	Outlet	Weight without carbon	Cabinet
GeoFilter GFC-75	1.612	900	962	ø250	ø250		Galvanized
GeoFilter GFC-150	2.112	900	962	ø250	ø250		Galvanized
GeoFilter GFC-225	2.112	1.050	1.112	ø250	ø250		Galvanized
GeoFilter GFC-300	2.112	1.200	1.262	ø250	ø250	280 kg	Galvanized

We recommend a minimum of 500 mm clearance above the filter.

We reserve the right to change specifications at any time.

# GEOFILTER GFB2

## FILTER CARTRIDGES

GeoFilter GFB2 comes with filter cartridges of pleated textiles, with or without coating. (minimum filtering of 99,90% according to IFA-test (DIN EN 60335-2-69))

## FILTER CLEANING

The cleaing of the filter is automatically carried out with a shot of compressed air through the cartridges. This will cause the particles caught in the textile to fall in to the collection bucket below for disposal.

## FILTER REPLACEMENT

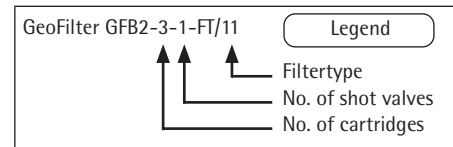
Open the front doors, loosen the cartridges and twist them out from the bayonet mount.

## INSTALLATION

Generally the filter should be placed indoors to avoid condensation. However, if needed, the filter can be placed outside (under roof) on account of the fully galvanized housing. The filter requires a power supply of 230V AC and 3 - 6 bar clean and dry compressed air. The filter should not be used with a differential pressure higher than 3000 Pa.

## FILTER AUTOMATICS

The GFB2 filter comes with a user friendly filter control panel with digital display. Adjust the shot length (0-9 sek.), shot interval (1-999 sec.) and after-run cycle (1-9 cycle). Connects to 230 V AC 50 Hz. For differential pressure control use 92-214B.



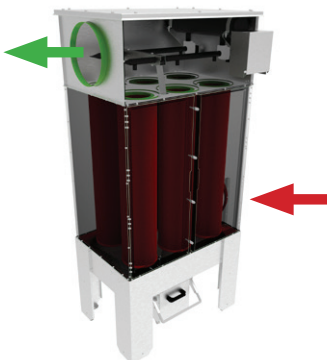
## GeoFilter GFB2 - 99,9% filtration at 0,3µm



Art. No.	Description	Filter area	Max m <sup>3</sup> /h
15-460	GeoFilter GFB2-3-1 with timer (grinding dust/no smoke or oil mist)	30 m <sup>2</sup>	1800
15-461	GeoFilter GFB2-6-2 with timer (grinding dust/no smoke or oil mist)	60 m <sup>2</sup>	3600
15-462	GeoFilter GFB2-9-3 with timer (grinding dust/no smoke or oil mist)	90 m <sup>2</sup>	5400
15-463	GeoFilter GFB2-12-4 with timer (grinding dust/no smoke or oil mist)	120 m <sup>2</sup>	7200

All GFB2-filters (grinding dust) are by default fitted with cartridges FT/11. Other cartridge types available, se below.

Supplied as standard with timer control, alternatively pressure control can be offered - ask us!



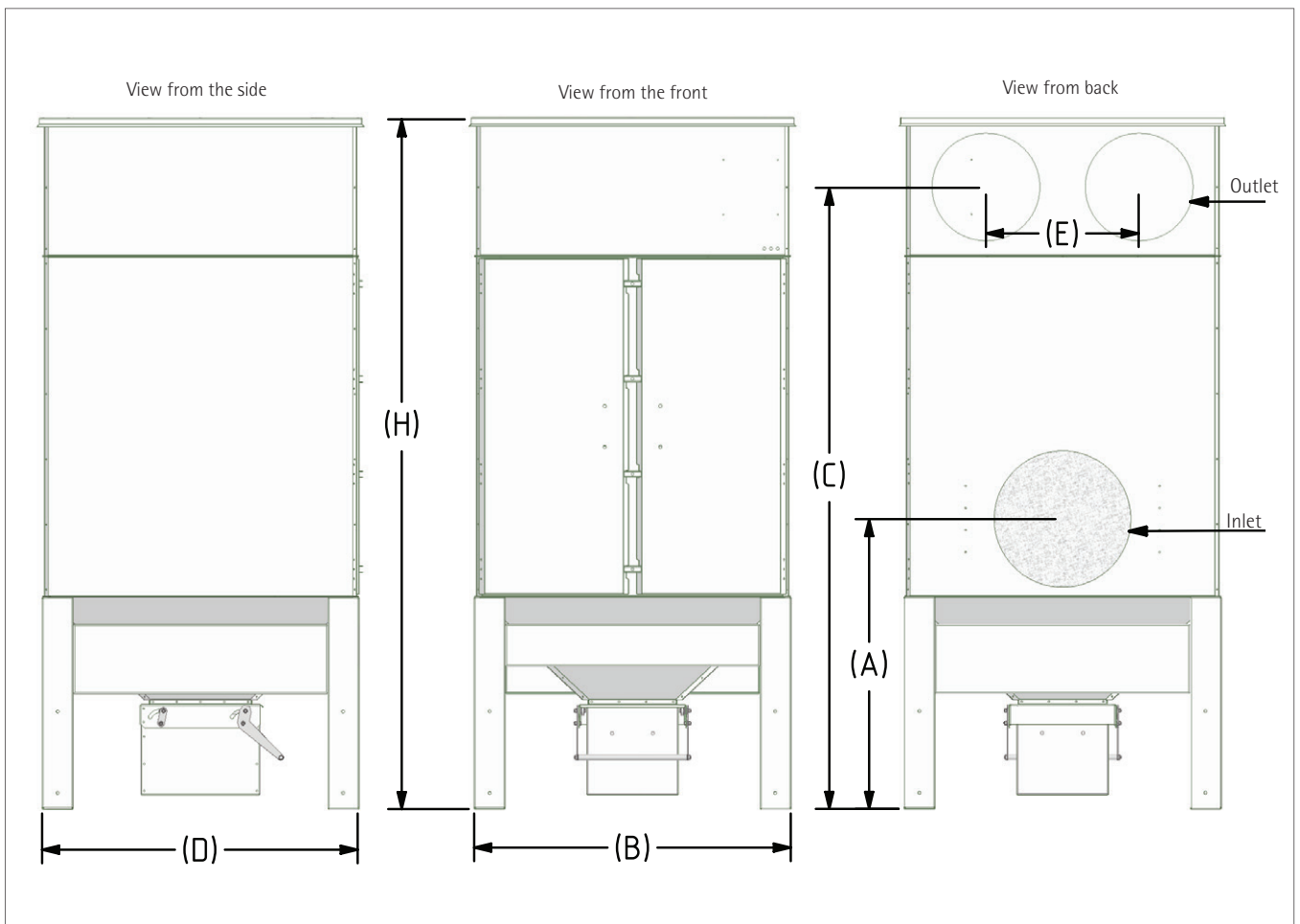
Art. No.	Description	Filter area	Max m <sup>3</sup> /h
15-460W	GeoFilter GFB2, 3-1 with timer (welding smoke)	30 m <sup>2</sup>	1800
15-461W	GeoFilter GFB2, 6-2 with timer (welding smoke)	60 m <sup>2</sup>	3600
15-462W	GeoFilter GFB2, 9-3 with timer (welding smoke)	90 m <sup>2</sup>	5400
15-463W	GeoFilter GFB2, 12-4 with timer (welding smoke)	120 m <sup>2</sup>	7200

All GFB2-filters (welding smoke) are by default fitted with cartridges FT/13. Other cartridge types available, se below.

Supplied as standard with timer control, alternatively pressure control can be offered - ask us!



## Data for GeoFilter GFB2



Model/Dimension [mm]	A	B	C	D	E	H	Inlet	Outlet	Weight	Cabinet
GFB2-3-1	775	935	1.830	335	-	2.035	ø250mm	1xø250mm	90 kg	Hot galv.
GFB2-6-2	810	935	1.830	635	-	2.035	ø315mm	1xø315mm	135 kg	Hot galv.
GFB2-9-3	855	935	1.830	935	450	2.035	ø400mm	2xø315mm	180 kg	Hot galv.
GFB2-12-4	900	1230	1.830	935	373	2.035	ø500mm	3xø315mm	225 kg	Hot galv.

We recommend 500 mm open space on top of the filter for maintenance.  
The inlets and outlets can be placed differently. Please see the data sheet or contact us.

Pressurized air	Air consumption	Power supply	Temperature	Pressure drop	Noise emission	Pipe class
3 - 6 bar* clean and dry air	Typical 3 l (compressed air) per valve per shot	24V DC or 230V AC	-12°C - +65°C	1.000-1.500 Pa	<68 dB(A)	Class C

\*Depending on the processes

# GFB2 W3

GeoFilter GFB2 W3 is a complete and self-cleaning filter unit. It is tested at Institut für Arbeitsschutz der Deutschen Gesetzlichen Unfallversicherung (IFA) in Germany. This filter unit has extra security measures built-in compared with our standard GFB2 filter units:

- The filter has an extra alarm and a lamp built-in, which is activated when the filter cartridges need to be changed.
- When the filter cartridges are changed these are loosened from the top - meaning from the clean side. This way, persons who change the filter avoid contact with the contaminated particles on the filter cartridges. When the filter cartridges are loosened, the doors can be opened and each cartridge can be covered with a plastic bag and removed, and then the bag can be closed tight.
- A vacuum is established in the bucket in order to avoid that the bag and the contents of the bucket will be extracted up into the filter unit.

Like the GeoFilter GFB2 this unit has an automatic, timer controlled cleaning function installed as standard. The controller is programmed from the factory, but the parameters can be adjusted, so that the filter unit is matching the exact need. It is possible to exchange the timer control unit to a differential pressure control unit, which activates the cleaning at a pre-defined pressure loss.



## GeoFilter GFB2 W3 - 99,9% filtration at 0,3µm

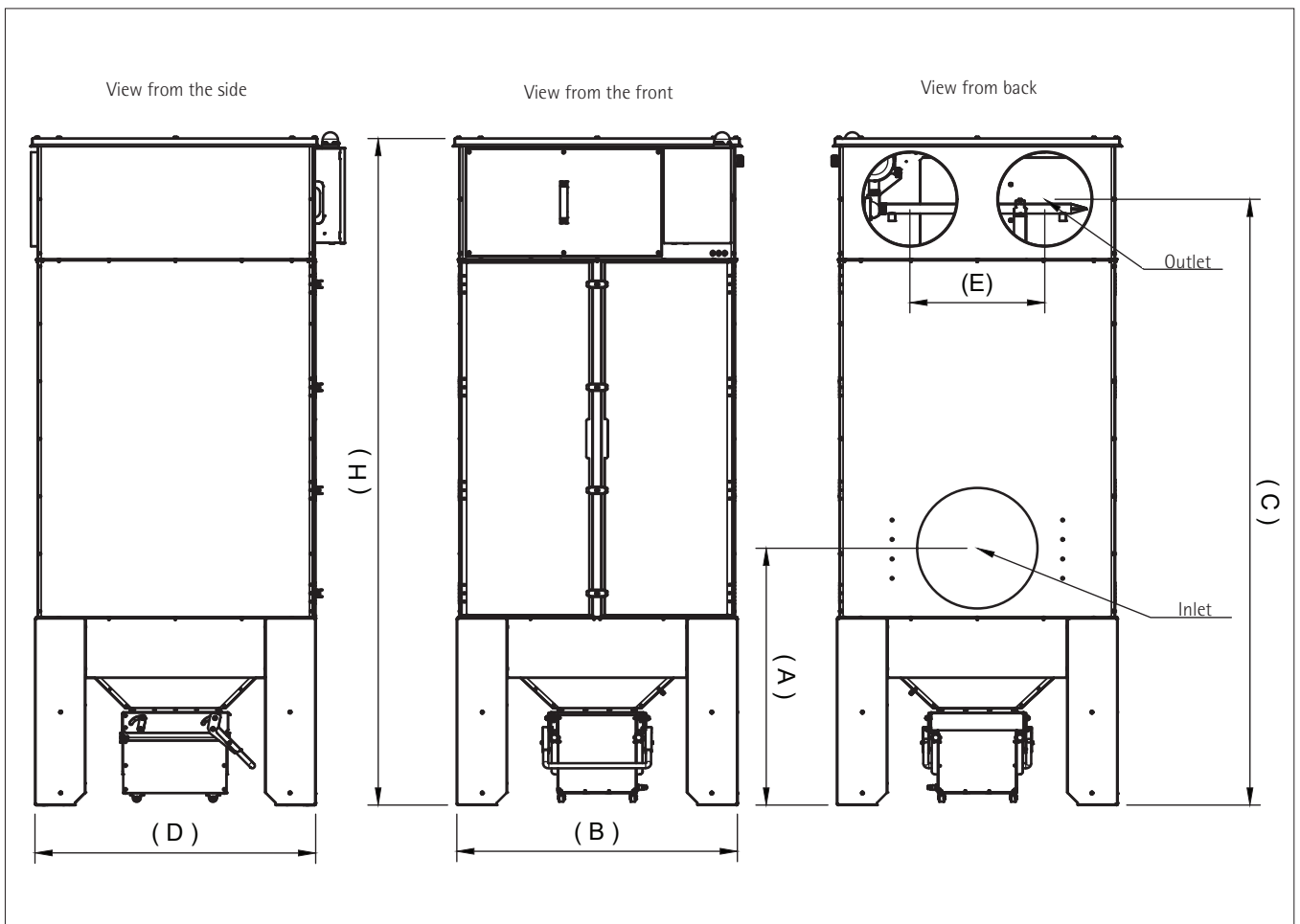


Art. No.	Description	Filter area	Max m <sup>3</sup> /h
15-460W3	GeoFilter GFB2 W3 3-1	30 m <sup>2</sup>	1.800
15-461W3	GeoFilter GFB2 W3 6-2	60 m <sup>2</sup>	3.600
15-462W3	GeoFilter GFB2 W3 9-3	90 m <sup>2</sup>	5.400
15-463W3	GeoFilter GFB2 W3 12-4	120 m <sup>2</sup>	7.200
15-464W3	GeoFilter GFB2 W3 18-6	180 m <sup>2</sup>	10.800
15-465W3	GeoFilter GFB2 W3 24-8	240 m <sup>2</sup>	14.400
15-466W3	GeoFilter GFB2 W3 36-12	360 m <sup>2</sup>	21.600
15-467W3	GeoFilter GFB2 W3 48-16	480 m <sup>2</sup>	28.800

Ask for prices

Note: GeoFilter GFB2 W3 is approved on the condition that specific Geovent fans are used with it. Contact us or consult our data sheet or manual for more information.

## Data for GeoFilter GFB2 W3



Model/Dimension [mm]	A	B	C	D	E	H	Inlet	Outlet	Weight	Cabinet
GFB2-3-1 W3	810	935	2.022	635	-	2.226	ø315np	1xø315np	95 kg	Hot galv.
GFB2-6-2 W3	810	935	2.022	635	-	2.226	ø315np	1xø315np	145 kg	Hot galv.
GFB2-9-3 W3	855	935	2.022	935	450	2.226	ø400np	2xø315np	190 kg	Hot galv.
GFB2-12-4 W3	900	1.235	2.022	935	373	2.226	ø500np	3xø315np	230 kg	Hot galv.

We recommend 500 mm open space on top of the filter for maintenance.  
The inlets and outlets can be placed differently. Please see the data sheet or contact us.

Pressurized air	Air consumption	Power supply	Temperature	Pressure drop	Noise emission	Pipe class
3 - 6 bar* clean and dry air	Typical 3 l (compressed air) per valve per shot	230V AC	-12°C - +65°C	1.000-1.500 Pa	<68 dB(A)	Class C

\*Depending on the processes

# GFB2 TOWER

GeoFilter GFB2 Tower is a all in one, self-cleaning cartridge filter solution, with a built-in fan on top. The GFB2 Tower is based on our popular GFB2 filter and high efficient MEF fans with B-type impellers. Complete solution, ready to connect to power and compressed air. The construction is made of robust galvanized sheet metal, easy access to filter change through the front hatch, and emptying of the bin, is swiftly done, by releasing the handle on the bin. Compressed air tank is built into the clean side of the filter, and the unit is supplied with a TIMER controller as standard. A wide selection of filter material is available, and should always be selected to match the specific process.

Differential pressure control, frequency inverter and insulation can be offered.

Airflow capacity of up to 7200 m<sup>3</sup>/h.

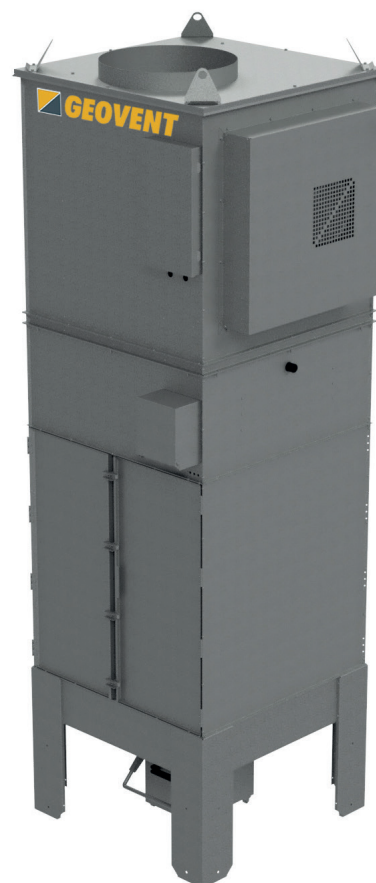
We normally recommend placing the filter indoor. Outdoors placing can result in condensation issues.

If the filter is placed outside, however, we suggest using a protective roof/shed to shield the filter from rain.

Filter cartridges come in a wide variety of pleated fabric, custom fitted to the specific process.

As standard, the GFB2 Tower is supplied with filter cartridge FT/11 for dust (dry air without fumes or oil mist).

See also range of available standard filter media.

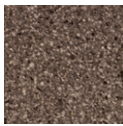


Model	GFB2 Tower 6-2	GFB2 Tower 9-3	GFB2 Tower 12-4
Number of filter cartridges	6	9	12
Filter type	Standard	Standard	Standard
Filter area [m <sup>2</sup> ]	60	90	120
Number of shot valves	2	3	4
Max Airflow [m <sup>3</sup> /h]	3.600	5.400	7.200
Air tank [liter]	8	12	16
Filter control w. display, Protection class	IP65	IP65	IP65
Inlet/outlet, sealing class	Class C	Class C	Class C
Collection bucket [liter]	25	25	25
Galvanized cabinet, Corrosion class	III	III	III
Order number	15-471	15-472	15-473
Fan	MEF 400-3, 4,0 kw / 5,5 kw	MEF 450-3, 5,5 kw / 7,5 kw	MEF 500-3, 7,5 kw

## GFB2 Tower



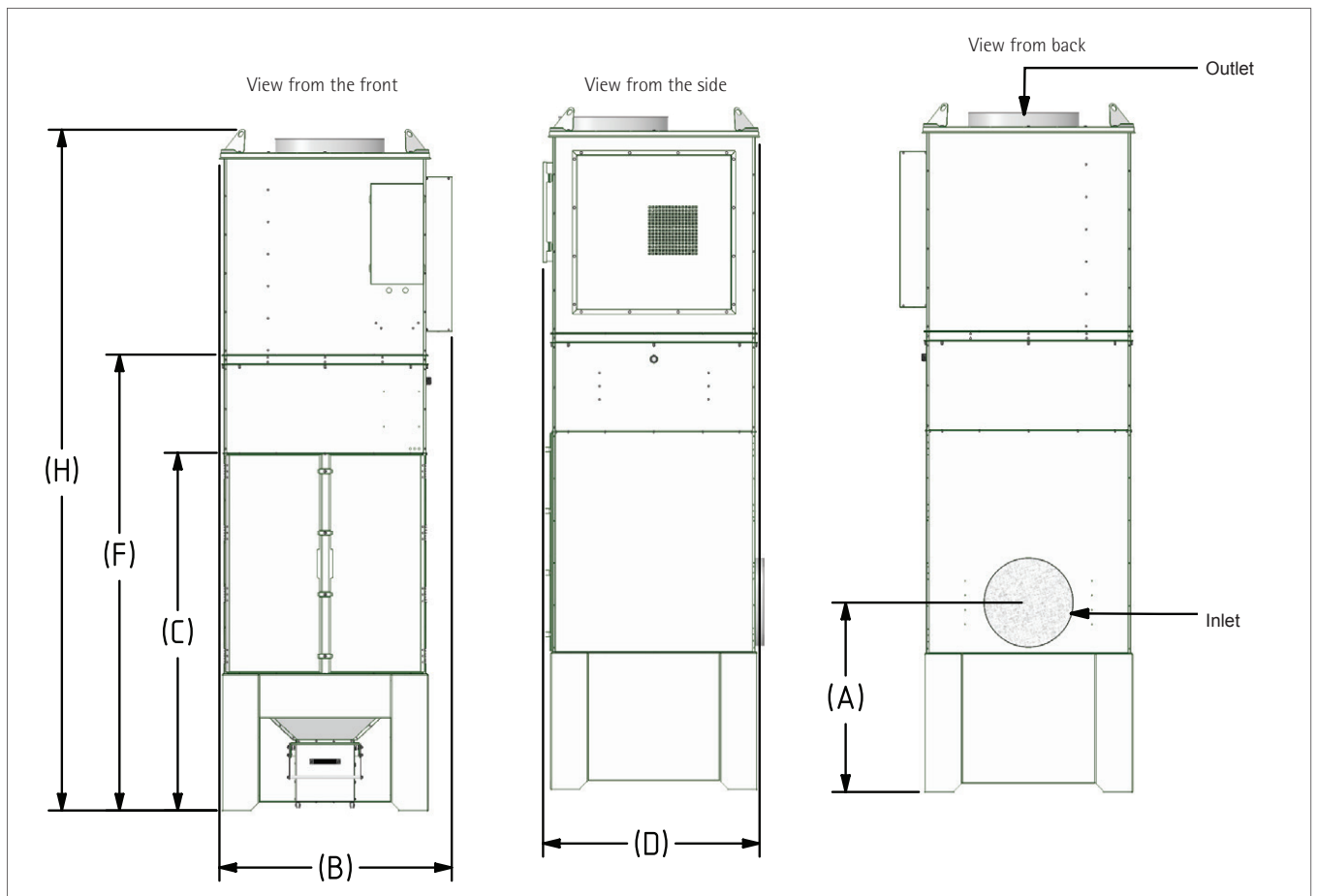
Sound insulation of GFB2 Tower



Art. No.	Description	Filter area	Max m <sup>3</sup> /h
15-471	GeoFilter GFB2 Tower 6-2 incl. MEF 400-3	60 m <sup>2</sup>	3.600
15-472	GeoFilter GFB2 Tower 9-3 incl. MEF 450-3	90 m <sup>2</sup>	5.400
15-473	GeoFilter GFB2 Tower 12-4 incl. MEF 500-3	120 m <sup>2</sup>	7.200

15-431A	Sound insulation of GFB2 6-2 Tower (fan only)
15-432A	Sound insulation of GFB2 9-3 Tower (fan only)
15-433A	Sound insulation of GFB2 12-4 Tower (fan only)

Pressurised air	Air usage	Power supply	Temperature	Typical pressure drop	Sound level
3 - 6 bar clean and dry air	Typical 3.0L (compressed air) per valve per shot	24VDC or 230 VAC	-12° - +65° C	1.000-1.500 Pa	<68 dB(A)



Model/Dimensions [mm]	A	B	C	D	F	H	Inlet	Outlet	Weight	Cabinet
GFB2 Tower 6-2	810	985	1.630	910	2.080	3.040	ø315np	ø400np	290 kg	Hot galvanized
GFB2 Tower 9-3	855	1.060	1.630	985	2.080	3.100	ø400np	ø500np	360 kg	Hot galvanized
GFB2 Tower 12-4	900	1.230	1.630	985	2.080	3.150	ø500np	ø500np	480 kg	Hot galvanized

## Accessories for GeoFilter GFB2



Art. No.	Description
15-440	For large amounts of dust: Bucket with wheels (54l) and extended legs on the filter unit (New height: 2432 mm).
92-214	Timer control panel GFB2 (mounted as standard)
92-214B	Differential pressure control panel GFB2
15-430	Sound insulation of GFB2 3-1
15-431	Sound insulation of GFB2 6-2
15-432	Sound insulation of GFB2 9-3
15-433	Sound insulation of GFB2 12-4
15-434	Thermal insulation of GFB2 3-1
15-435	Thermal insulation of GFB2 6-2
15-436	Thermal insulation of GFB2 9-3
15-437	Thermal insulation of GFB2 12-4
15-490	Water separator for GFB2 filter with regulator, manometer and mounting bracket.

## Replacement cartridges for GFB, GFB2 and GFB2 W3 – Filterarea pr. cartridge: 10m<sup>2</sup>



Filter cartridges are selected according to the kind of dust that needs separation. All GFB and GFB2-filters are by default fitted with cartridge FT/11 for dust filled air without smoke or oil mists. See page 52 for selection of correct filter cartridge. When ordering, indicate whether the unit is top- or front operated.

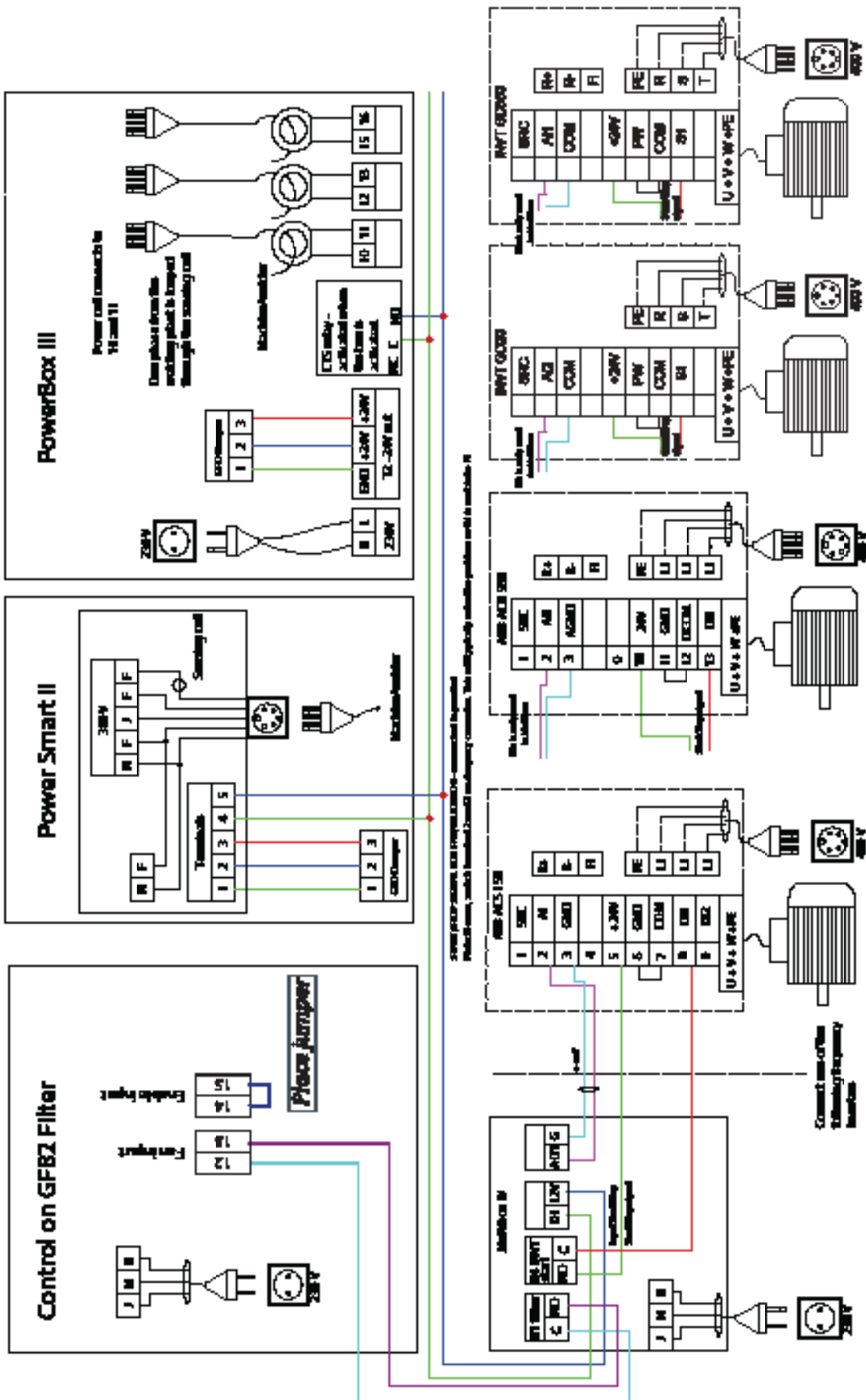
Art. No.	Description
15-480FL	FT/11 – 99,9% at 0,3µm (grinding dust / All-Round)
15-480AFL	FT/11 – 99,9% at 0,3µm ALUTEK (All-Round) Antistatic
15-481FL	FT/13 – 99,9% at 0,3µm (welding smoke)
15-482FL	FT/18 – 99,9% at 0,3µm (laser/plasma) PTFE (for GFB HD/GFB2 W3)
15-483FL	Filter cartridge ePTFE and ALU 10m <sup>2</sup> antistatic
	Additional charge for alu-coating – pr. filter cartridge.
15-479	Pre-kote – ensures longer service life. Per kg. (App. 100-200 g. pr. cartridge)

## Spark arrestor



Geovent Spark arrestor is easy and quick to install and it can be easily dismantled and cleaned. The Geovent spark arrestor reduces the risk of fire in the filter. The function of the spark arrestor is based on slowing down the air flow, which cools down the sparks and makes them disappear. Material: Galvanized steel. Recommended duct spacing: at least 10 times the diameter of the cyclone/collector.

Art. No.	Description
15-660	Spark arrestor ø100 mm
15-661	Spark arrestor ø125 mm
15-662	Spark arrestor ø160 mm
15-663	Spark arrestor ø200 mm
15-664	Spark arrestor ø250 mm
15-665	Spark arrestor ø315 mm
15-666	Spark arrestor ø400 mm
15-667	Spark arrestor ø450 mm
15-668	Spark arrestor ø500 mm
15-669	Spark arrestor ø560 mm
15-670	Spark arrestor ø630 mm
15-671	Spark arrestor ø710 mm



Adjusting frequency inverter:  
See manual - important parameters to adjust

Adjusting MultiBox IV:  
Quickguide - also see manual  
Setpoint 1  
Min. alarm  
Max. alarm

# GEOFILTER GFH AND GFH PLUS

The GFH filter is an efficient solution for dust and smoke filtration. The filter has an air flow capacity of up to 15,000 m<sup>3</sup>/h and more units can be installed in parallel to expand its capacity. The filter is delivered with a cleaning system, using shots of compressed air to clean the filter cartridges from excessive dust and other particles.

As standard, it comes with a filter control unit (timer based as standard, differential pressure upon request) and an easy to move collection bucket.

The cartridges can be delivered in a wide variety of pleated fabrics dependent on the need in the specific situation.

When delivered, the GFH filter unit is ready for connection of 230V AC 50 Hz power and for compressed air. The filter unit can be delivered in 6 different sizes and capacities, and it is made of a coated hot-dip galvanized steel plate.

The filter cartridges can be supplied in a wide range of types depending on the need in the specific situation. When replacing the filter cartridge, simply open the doors at the front, loosen and turn the filter cartridge, and exchange it.

The filter should generally be installed indoors, as it eliminates potential condensation problems. If the filter is placed outdoors anyway, it should be under a roof. The filter requires a power connection of 230V AC and 3.5 to 6 bar clean and dry compressed air.



Model	GFH-6	GFH-9	GFH-12	GFH-6 PLUS	GFH-9 PLUS	GFH-12 PLUS
Number of filter cartridges	6	9	12	6	9	12
Filter type	FT/13	FT/13	FT/13	FT/13	FT/13	FT/13
Filter area [m <sup>2</sup> ]	48	72	96	94	140	190
Number of shot valves	2	3	4	2	3	4
Max Airflow [m <sup>3</sup> /h]	3.360	5.040	6.720	7.500	11.200	15.000
Air tank [liter]	9L	13L	17L	9L	13L	17L
Filter control w. display, Protection class	IP65	IP65	IP65	IP65	IP65	IP65
Inlet/outlet, sealing class	Class C	Class C	Class C	Class C	Class C	Class C
Collection bucket [liter]	120	120	120	120	120	120
Galvanized cabinet, Corrosion class	III	III	III	III	III	III
Order number	15-531	15-532	15-533	15-534	15-535	15-536



## Geofilter GFH and GFH PLUS



Art. No.	Description	Max m <sup>3</sup> /h	Filter area
15-531	GeoFilter GFH-6	3360 m <sup>3</sup> /h	48 m <sup>3</sup>
15-532	GeoFilter GFH-9	5040 m <sup>3</sup> /h	72 m <sup>3</sup>
15-533	GeoFilter GFH-12	6720 m <sup>3</sup> /h	96 m <sup>3</sup>
15-534	GeoFilter GFH-6 PLUS	7500 m <sup>3</sup> /h	94 m <sup>3</sup>
15-535	GeoFilter GFH-9 PLUS	11200 m <sup>3</sup> /h	140 m <sup>3</sup>
15-536	GeoFilter GFH-12 PLUS	15000 m <sup>3</sup> /h	190 m <sup>3</sup>

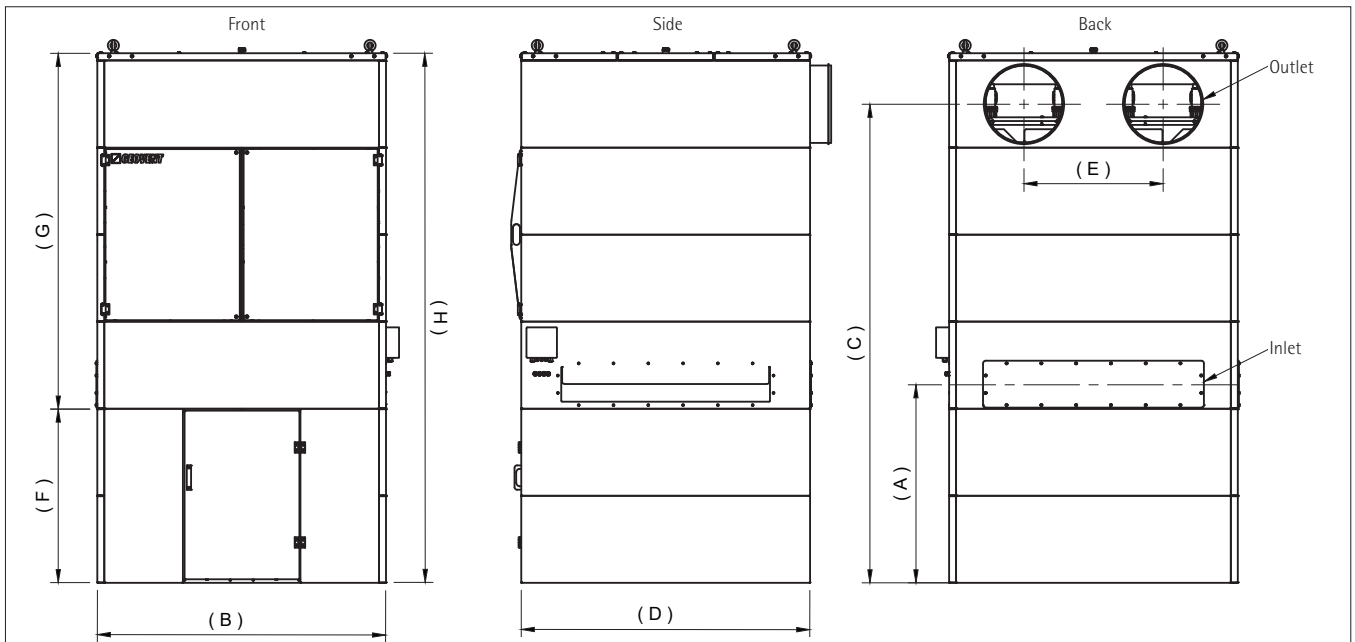
## Geofilter GFH and GFH PLUS Galvanized



Art. No.	Description	Max m <sup>3</sup> /h	Filter area
15-531G	GeoFilter GFH-6 Galvanized	3360 m <sup>3</sup> /h	48 m <sup>3</sup>
15-532G	GeoFilter GFH-9 Galvanized	5040 m <sup>3</sup> /h	72 m <sup>3</sup>
15-533G	GeoFilter GFH-12 Galvanized	6720 m <sup>3</sup> /h	96 m <sup>3</sup>
15-534G	GeoFilter GFH-6 PLUS Galvanized	7500 m <sup>3</sup> /h	94 m <sup>3</sup>
15-535G	GeoFilter GFH-9 PLUS Galvanized	11200 m <sup>3</sup> /h	140 m <sup>3</sup>
15-536G	GeoFilter GFH-12 PLUS Galvanized	15000 m <sup>3</sup> /h	190 m <sup>3</sup>

Art. No.	Description
15-551	Filter cartridge FT/13 8m <sup>2</sup> ø325 mm - GFH Serie ø325x600 mm
15-553	Filter cartridge FT/18 8 m <sup>2</sup> ø325 for GFH ø325x600 mm
15-550	Filter cartridge FT/13 16m <sup>2</sup> ø325 mm - GFH PLUS serie ø325x1200 mm
15-552	Filter cartridge FT/18 16m <sup>2</sup> ø325 for GFH PLUS ø325x1200 mm
15-479	Pre-coat - ensures longer service life. Pr. kg. (App. 80-160/160-320 g. pr. cartridge)

Pressurised air	Air usage	Power supply	Temperature
3 - 6 bar clean and dry air	Typical 3.0L (compressed air) per valve per shot	24V DC or 230V AC	-12°C - +65°C



Model/Dimensions	A	B	C	D	E	F	G	H	Inlet	Outlet	Filter size	Weight	Cabinet
GFH-6	1140	850	2245	1660	*	1000	1545	2540	1200x200	1 x ø450	325x600		Hot galvanized
GFH-9	1140	1210	2245	1660	600	1000	1545	2540	1200x200	2 x ø450	325x600		Hot galvanized
GFH-12	1140	1660	2245	1660	800	1000	1545	2540	1200x200	2 x ø450	325x600		Hot galvanized
GFH-6 Plus	1140	850	2750	1660	*	1000	2045	3045	1200x200	1 x ø450	325x1200		Hot galvanized
GFH-9 Plus	1140	1210	2750	1660	600	1000	2045	3045	1200x200	2 x ø450	325x1200	550 kg	Hot galvanized
GFH-12 Plus	1140	1660	2750	1660	800	1000	2045	3045	1200x200	2 x ø450	325x1200	640 kg	Hot galvanized

We recommend a minimum of 500 mm clearance above the filter. \* There is only one outlet.

# FANS

Geovent offers a wide range of fans with air flow up to 55.000 m<sup>3</sup>/h.  
Further we can provide fans up to 4.800 Pa and can deliver fans to almost every task.

- Fans are available as central and decentral fans
- Mobile, portable fans
- Energy saving fans
- Two-speed motor
- Motor with 6- and 8-poles
- With frequency inverter
- High temperature fans
- Stainless or plastic
- ATEX version

At Geovent we are ready to do our best to help you with your ventilation project.

We produce the fans ourselves on the Geovent factory in Løgstrup, where we also keep a stock of intermediate goods such as fan housings, motors and wheels.

This means we offer high flexibility and fast delivery. Most of our fans are made of galvanized steel to last for a long period.



# FANS



Geovent centrifugal fans LSFG/MSFG (with forward curved blades) and LEF/MEF (with backwards curved blades) are used for process extraction in industry or for comfort ventilation.

A sirocco impeller (forward curved blades) is low noise, low vibration, delivers a high output per kW and provides a relatively high pressure.

Due to the relatively flat curve of the sirocco impeller it is not recommended for pressure regulation.

The fans LEF/MEF has a high efficiency of up to 87% and is suitable for PID/constant pressure control. The fan is made of 100% galvanized steel for maximum corrosion resistance and therefore suitable for outdoor installation on a roof or wall.

Our fans can be placed in a sound box to reduce noise emission.

Some of the advantages of backward curved blades:

- Efficiency of up to 87%
- Well suited for pressure control causing for substantial savings on operation.

Full range of accessories, such as flex connectors, mounting brackets, rain cover, motor protection, pressure gauge and sound box are available in the model program.

As standard included feet with vibration dampers, inlet connection with net, and fixtures for mounting of outlet flange.

The fans can also be delivered in ATEX design according to 2014/34/EU Directive. In this case, the type is LSX/MSX and comes as standard with EExe motor, see ATEX.

Other variations, can be offered on request (AISI).

The fan can be delivered in stainless steel (AISI 316L), with (built-in) frequency inverter, two-speed motor, 6- and 8-pole motor, special-voltage motors or higher efficiency, special high temperature version etc.

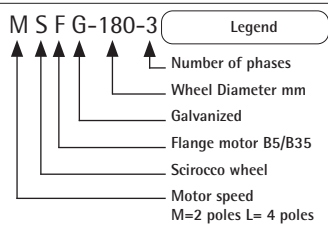
Air volumes up to: 55.000 m<sup>3</sup>/h

Pressure up to: 4.800 Pa

Motor: Direct drive B5 or B35 flange motor protection class IP-55.



Fans LSFG/MSFG 146 to 250



Art. No.	Description	[kW]	[A]	Max [m <sup>3</sup> /h]	Max [Pa]
38-001	LSFG-146-3	0,25	0,8	700	160
38-002	MSFG-146-3	0,55	1,4	900	620
38-005	LSFG-146-1	0,25	2,05	700	160
38-006	MSFG-146-1	0,55	3,57	900	620

30-001	LSFG-180-3	0,25	0,8	1.175	230
30-002	MSFG-180-3	0,55	1,4	1.670	950
30-005	LSFG-180-1	0,25	2,05	1.175	230
30-006	MSFG-180-1	0,55	3,57	1.670	950

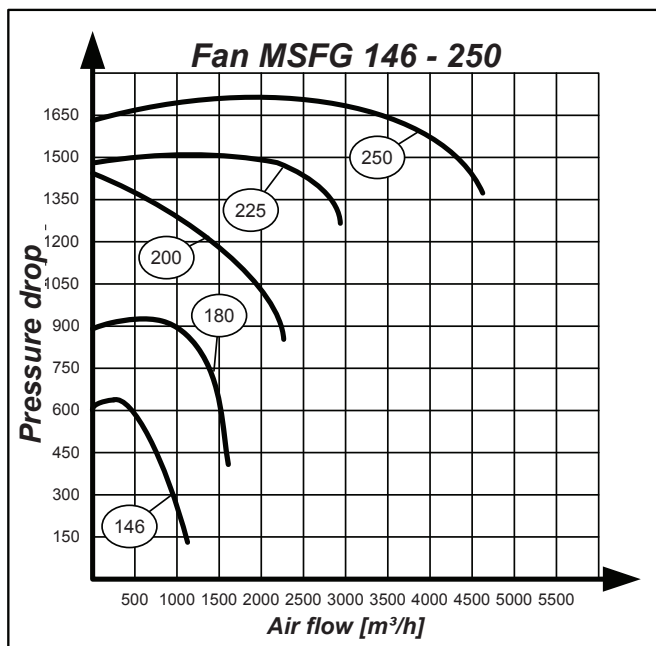
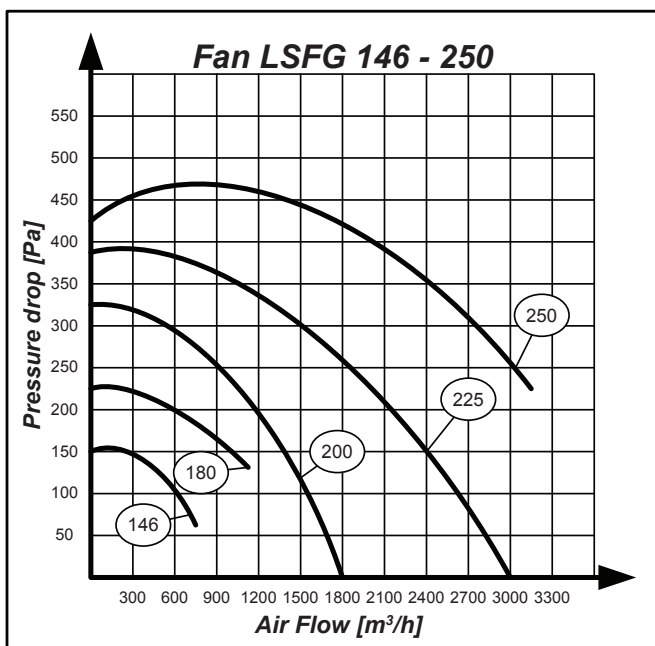
31-001	LSFG-200-3	0,55	1,5	1.750	320
31-002	MSFG-200-3	1,1	2,4	2.100	1.450
31-005	LSFG-200-1	0,55	3,83	1.750	320
31-006	MSFG-200-1	1,1	6,5	2.100	1.450

32-001	LSFG-225-3	1,1	3,45	2.500	450
32-002	MSFG-225-3	2,2	4,4	2.950	1.500
32-005	LSFG-225-1	1,5	9,5	2.500	450
32-006	MSFG-225-1	2,2	13,2	2.950	1.500

33-001	LSFG-250-3	2,2	4,6	3.150	470
33-002	MSFG-250-3	4	7,2	4.900	1.840

Motor configurations - please ask

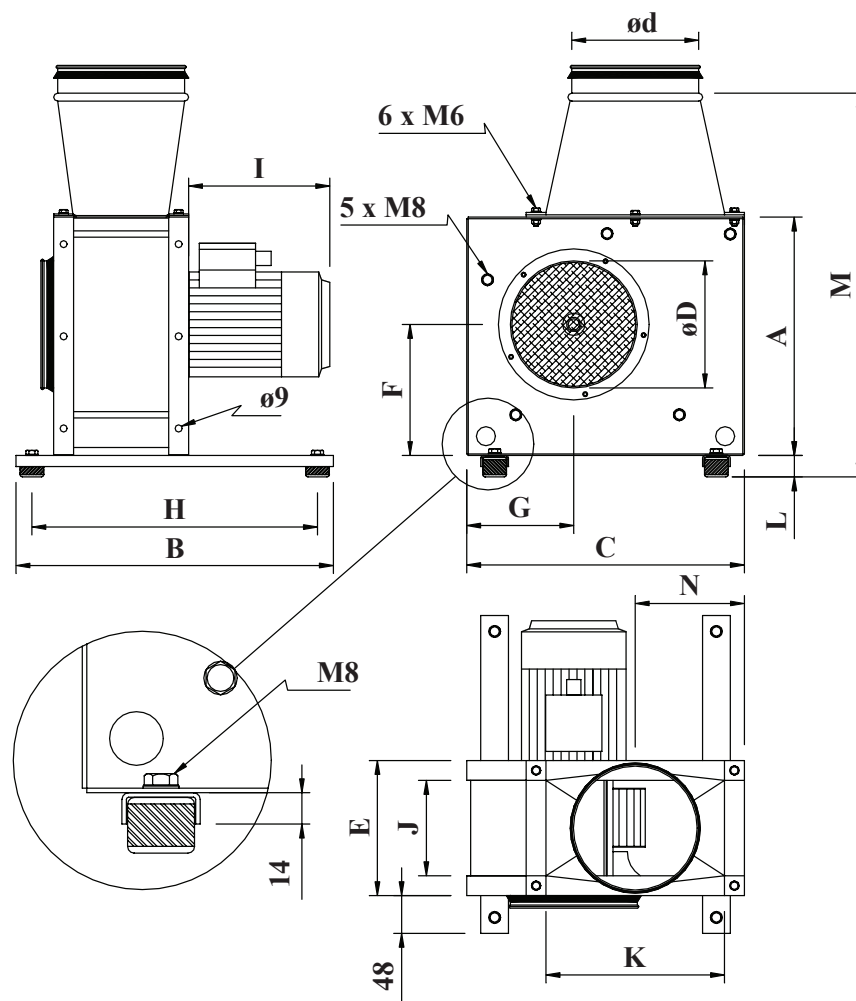
Pressure drop for fans LSFG/MSFG 146 to 250



## Sounddata for fans LSG/MSFG 146 to 250

Noise emission																			
Type	125 Hz	250 Hz	500 Hz	1000 Hz	2000 Hz	4000 Hz	8000 Hz	Lp, dB(A)	Lp, 1m	Type	125 Hz	250 Hz	500 Hz	1000 Hz	2000 Hz	4000 Hz	8000 Hz	Lp, dB(A)	Lp, 1m
LSFG 146	46	47	48	46	45	41	35	51	45	MSFG 146	61	62	65	63	64	58	51	69	63
LSFG 180	54	57	53	50	47	42	36	56	50	MSFG 180	70	80	69	64	65	59	54	74	68
LSFG 200	61	62	58	57	50	45	40	61	55	MSFG 200	80	83	72	71	71	66	61	78	72
LSFG 225	62	63	59	58	54	51	45	63	57	MSFG 225	82	85	75	73	74	68	63	81	75
LSFG 250	66	67	64	63	60	54	46	67	61	MSFG 250	86	90	77	75	76	71	65	84	78

## Dimensions, fans LSG/MSFG 146 to 250 and LSX/MSX 146 to 250



Dimensions, fans LSG/MSFG 146 - 250																
Type	A	B	C	øD	ød	E	F	G	H	I**	J	K	L	M	N	Weight**
L-/MSFG 146	245	400	295	160	*	145	134	113	360	178	95	185	27	402	118	11 kg
L-/MSFG 180	300	400	350	160	*	168	165	135	360	178	120	225	27	527	138	12 kg
L-/MSFG 200	350	400	400	200	*	180	205	165	360	205	130	250	27	577	150	19 kg
L-/MSFG 225	370	500	450	250	*	195	210	190	460	219	145	280	27	597	165	28 kg
L-/MSFG 250	410	500	500	250	*	215	230	210	460	300	170	320	27	637	185	47 kg

\* depending on outlet flange \*\* depending on motor

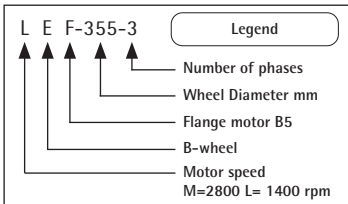
Fans LEF/MEF 250 to 400 – B-impeller, efficiency up to 87%



Incl. inlet with safety mesh and carrying feet with anti-vibration pads



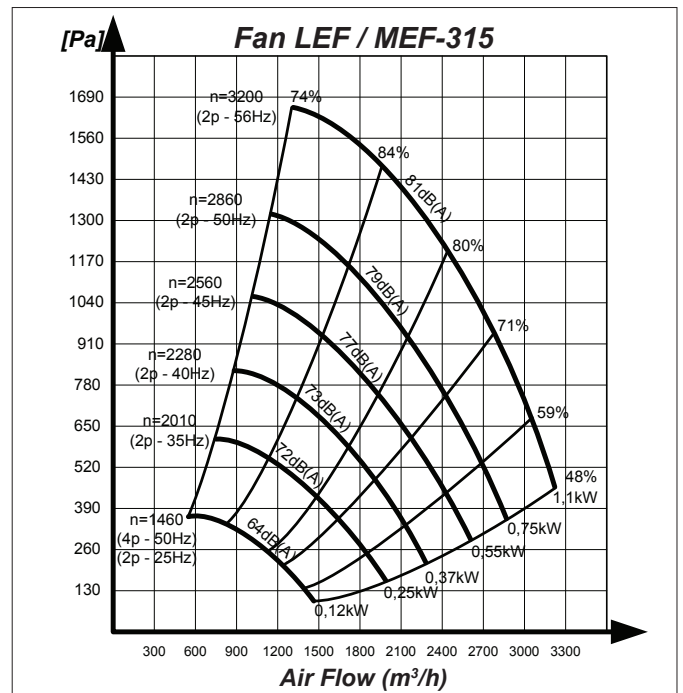
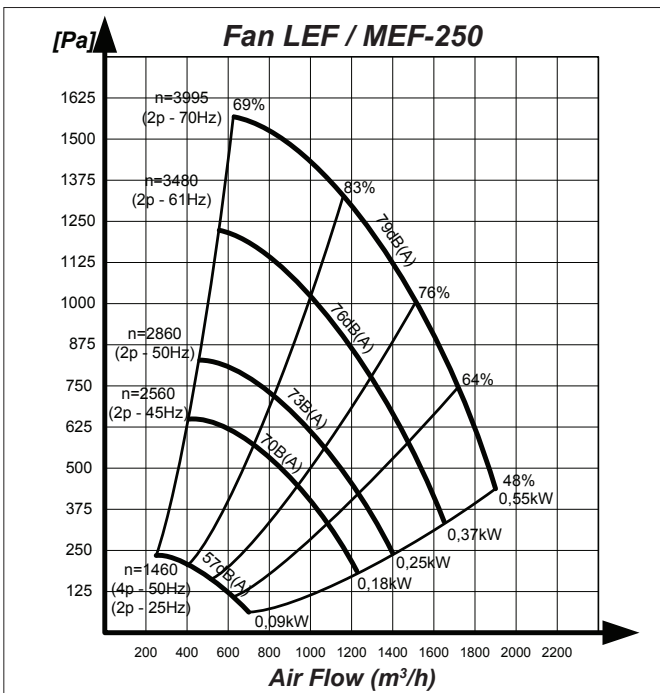
B-impeller with backward curved blades.



Art. No.	Description	[kW]	[A]	Max[m <sup>3</sup> /h]	Max [Pa]
33-701	LEF-250-3	0,25	0,75	700	230
33-702	MEF-250-3*	0,37	0,9	1.650	1.200
33-703	MEF-250-3*	0,55	1,28	1.900	1.575
33-704	LEF-250-1	0,25	1,81	700	230
33-705	MEF-250-1	0,37	2,54	1.400	825
34-651	LEF-315-3	0,25	0,75	1.450	360
34-652	MEF-315-3*	0,55	1,28	2.600	1.070
34-653	MEF-315-3	0,75	1,74	2.850	1.330
34-654	MEF-315-3*	1,1	2,4	3.200	1.640
34-655	LEF-315-1	0,25	1,81	1.450	360
34-656	MEF-315-1	0,75	4,25	2.850	1.330
34-701	LEF-355-3	0,25	0,75	2.250	425
34-702	MEF-355-3*	0,75	1,74	3.350	1.000
34-703	MEF-355-3*	1,1	2,4	3.800	1.240
34-704	MEF-355-3	1,5	3,15	4.350	1.550
34-705	MEF-355-3*	2,2	4,4	5.000	2.150
34-706	MEF-355-3*	3	5,75	5.500	2.550
34-707	MEF-355-1	1,5	8,45	4.350	1.550
34-708	LEF-355-1	0,25	2,05	2.250	425
35-201	LEF-400-3	0,55	1,44	3.500	500
35-203	MEF-400-3*	2,2	4,4	5.500	1.550
35-206	MEF-400-3	4	7,2	6.300	2.150
35-206A	MEF-400-3*	5,5	9,95	7.500	2.810
35-202	LEF-400-1	0,55	3,34	3.500	500

\* Requires use of external frequency inverter.

Pressure drop for LEF/MEF 250 to 315



Fans LEF/MEF 450 to 630 – B-impeller, efficiency up to 87%



NB. For motors with 4kW power and up are supported with console

Art. No.	Description	[kW]	[A]	Max [m <sup>3</sup> /h]	Max [Pa]
35-701	LEF-450-3	0,75	1,8	4.700	700
35-705	MEF-450-3*	4	7,2	8.200	2.100
35-706	MEF-450-3	5,5	9,95	9.500	2.600
35-708	MEF-450-3*	7,5	13,8	10.500	3.100
35-702	LEF-450-1	0,75	4,42	4.700	700

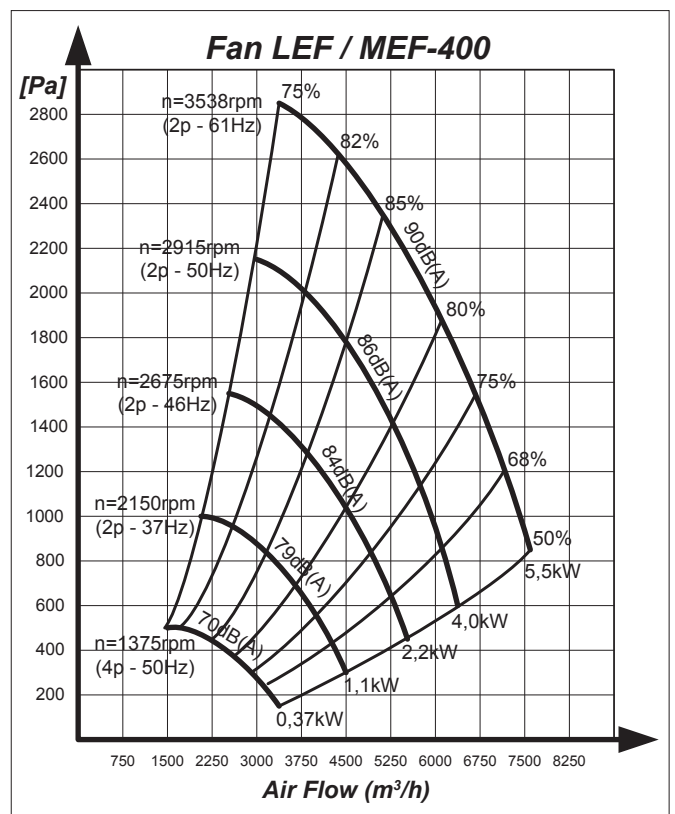
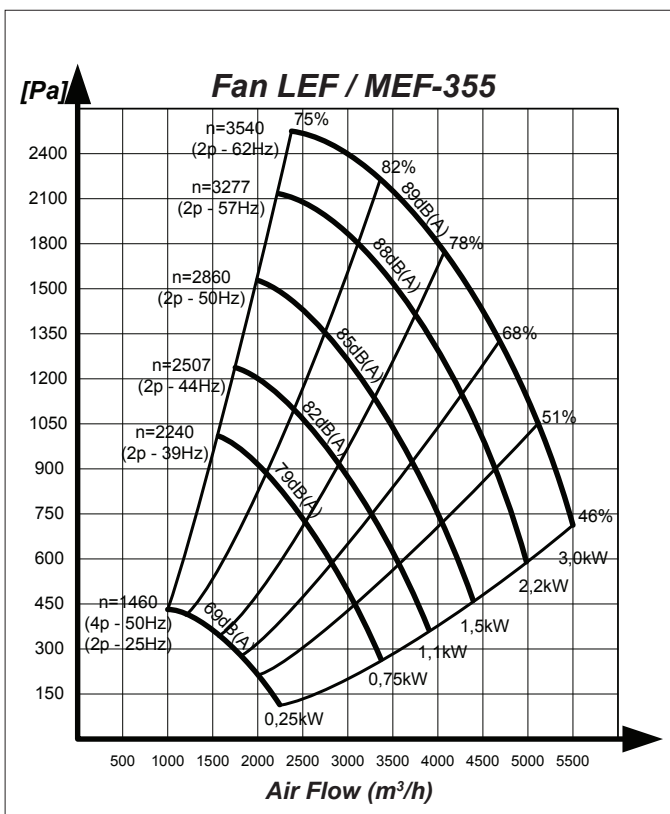
36-504	LEF-500-3	1,1	2,5	3.600	800
36-503	MEF-500-3*	4	7,2	9.200	2.350
36-502	MEF-500-3*	5,5	9,95	10.000	2.900
36-500	MEF-500-3	7,5	13,8	11.400	3.350
36-501	MEF-500-3*	11	19,6	13.200	4.200

35-801	LEF-560-3	2,2	4,55	8.500	1.050
35-802	MEF-560-3*	7,5	13,8	13.000	2.300
35-803	MEF-560-3*	11	19,6	14.800	3.100
35-804	MEF-560-3	18,5	34,3	18.000	4.400

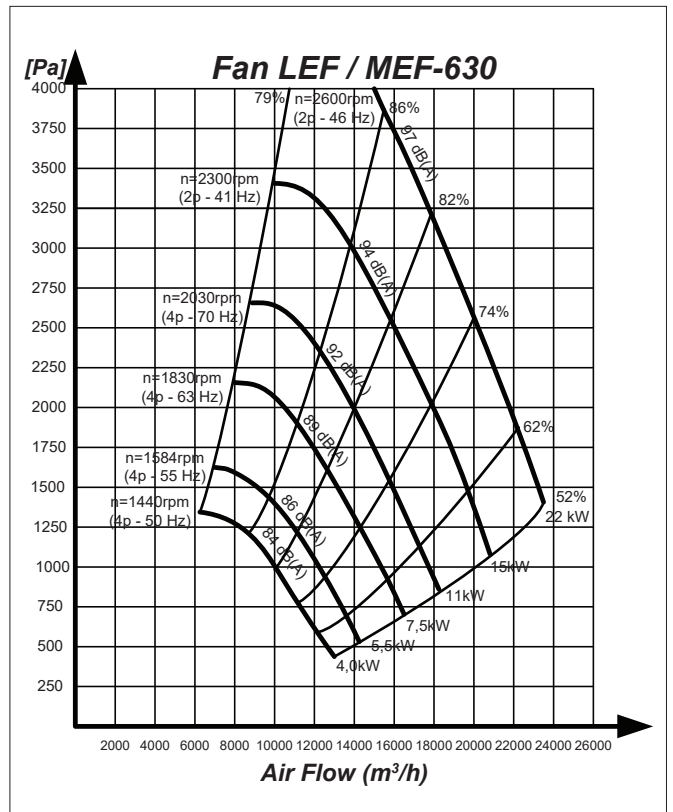
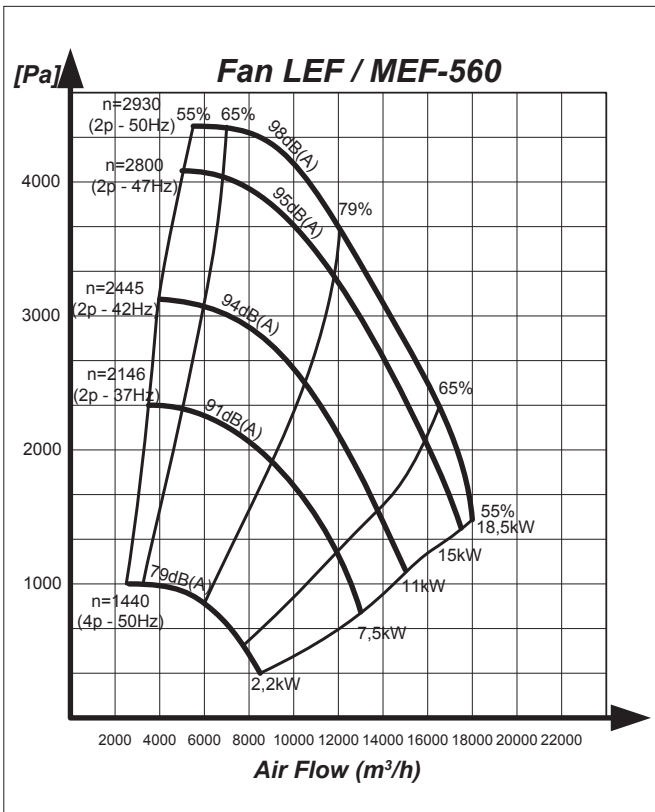
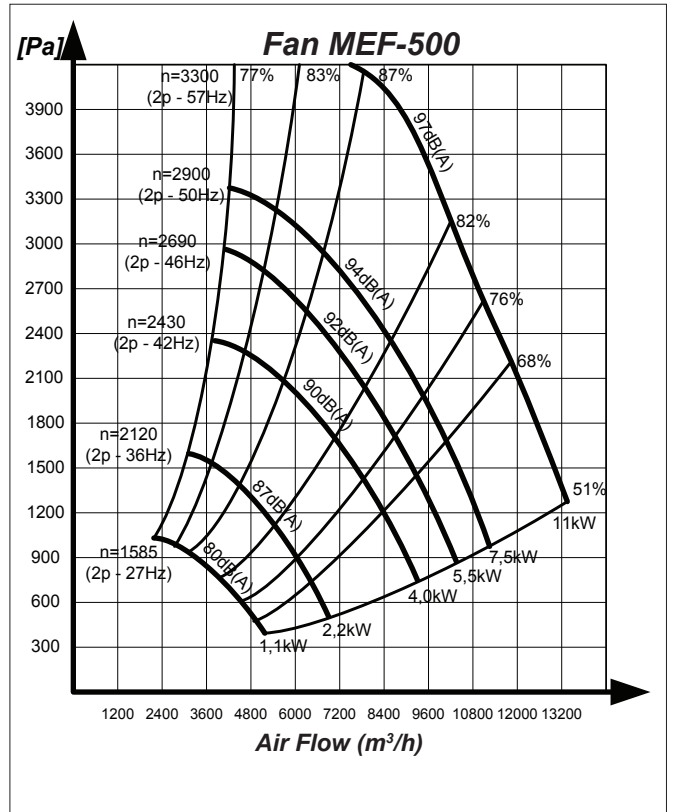
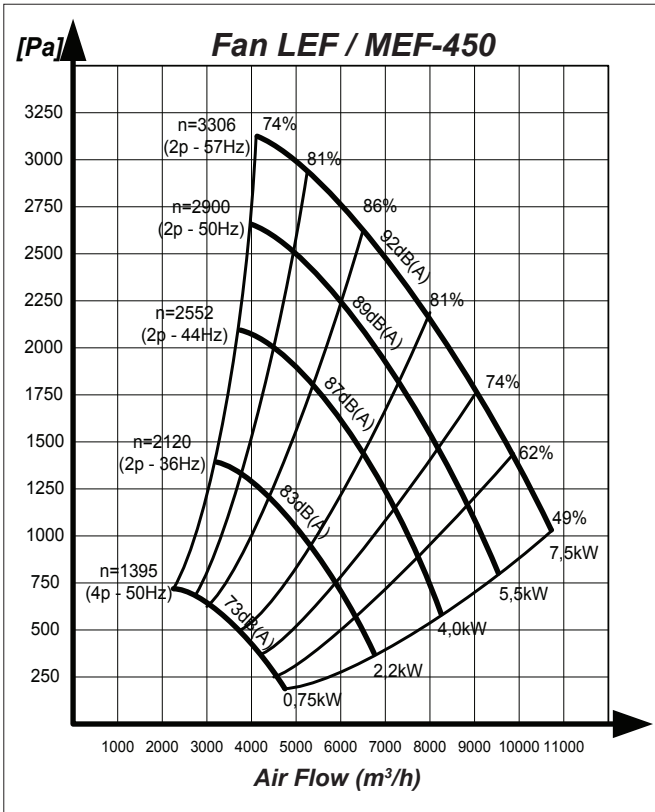
35-751	LEF-630-3	4	7,9	13.000	1.250
35-755	LEF-630-3*	5,5	10,8	14.200	2.150
35-752	LEF-630-3*	7,5	14,2	16.500	2.150
35-753	LEF-630-3*	11	21,2	18.200	2.650
35-750A	MEF-630-3*	15	26	21.000	3.400
35-750	MEF-630-3*	22	38,5	23.500	4.400

\* Requires use of external frequency inverter.

Pressure drop for LEF/MEF 355 to 400

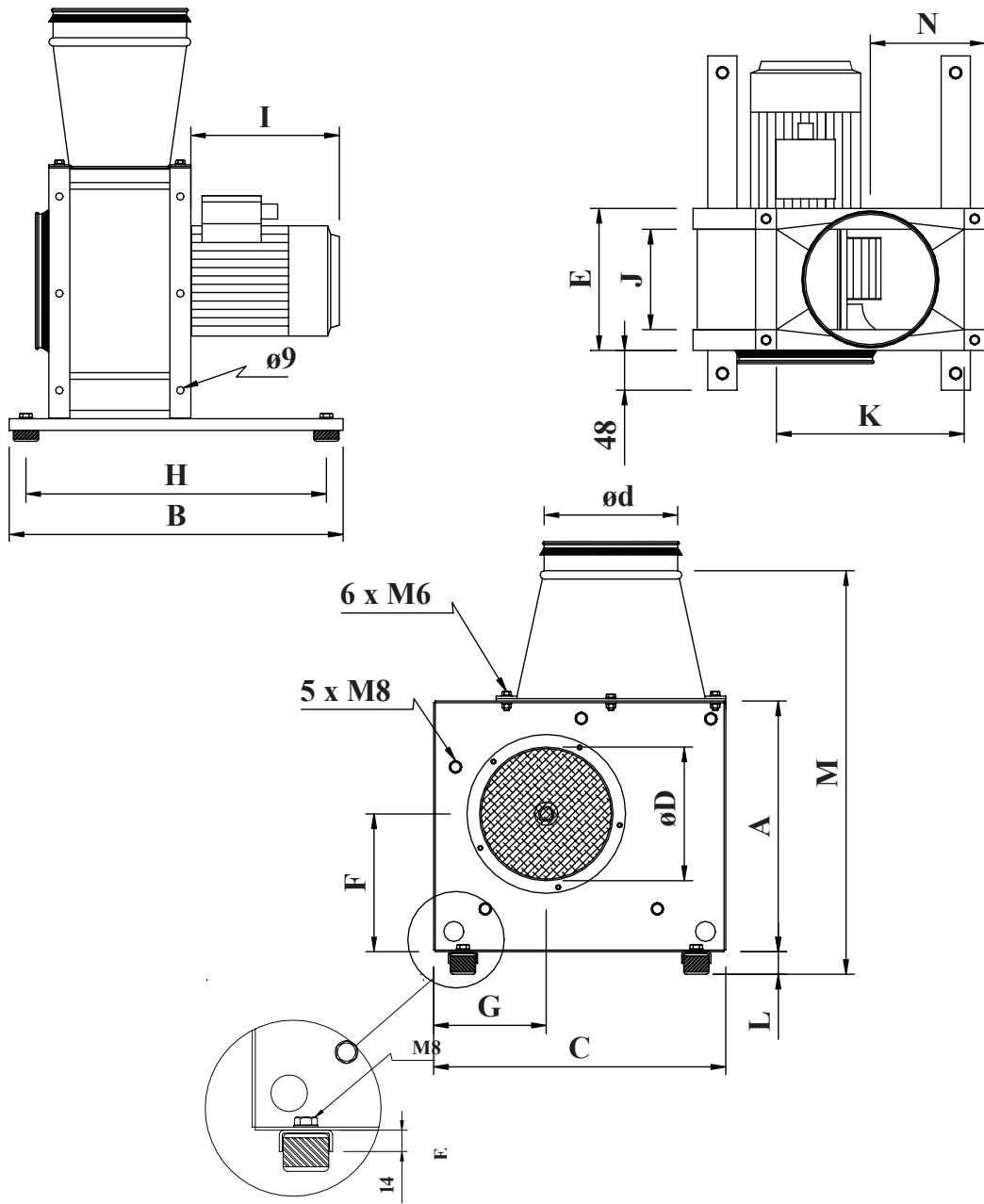


Pressure drop for LEF/MEF 450 to 630





Dimensions, fans LEF/MEF (LEX/MEX)



Dimensions, fans LEF/MEF (LEX/MEX)

Type	A	B	C	$\phi D$	$\phi d$	E	F	G	H	I	J	K	M	N	Weight
250	410	500*	500	250	***	215	230	210	460*	**	170	320	637	185	22-38kg*
315	510	700*	600	315	***	260	290	240	660*	**	210	400	720	225	40-43kg*
355	570	700*	680	400	***	284	329	272	660*	**	234	450	797	250	47-49kg*
400	648	700*	756	400	***	308	367	304	660*	**	260	500	965	275	56-90kg*
450	715	800*	850	500	***	340	408	340	760*	**	290	560	1045	305	71-105kg*
500	758	800*	871	500	***	345	421	362	760*	**	295	470	1065	263	81-180kg*
560	907	800*	1070	630	***	425	523	440	760*	**	375	709	1340	380	150-250kg*
630	989	800*	1175	630	***	446	563	467	760*	**	400	800	1340	425	135-300kg*

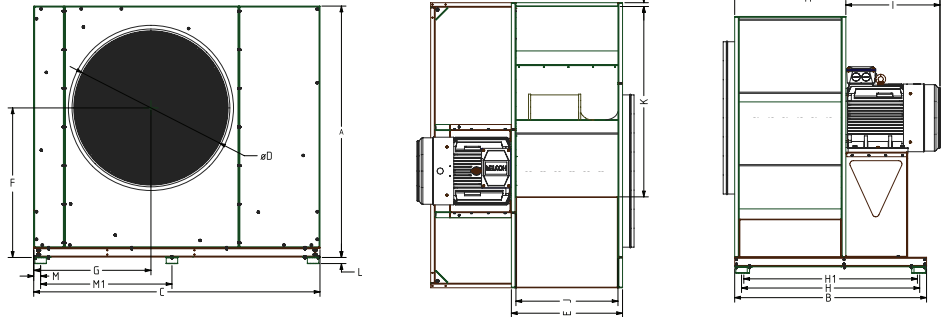
\*\*/ - depending on motor. NB: For LEX/MEX versions will the motor typically have larger measures than standard motors, and hence higher weight!

\*\*\* depending on outlet flange

## LEF 800 to 1000



Art. No.	Description	[kW]	[A]	Max [m <sup>3</sup> /h]	Max [Pa]
36-600	LEF-800-3	37	67	37000	4300
36-700	LEF-900-3	37	67	46000	4400
36-800	LEF-1000-3	45	79,5	55000	4300



	H1	H	B	I1	I	K	E	J	G	M	M1	C	L	F	A	øD
LEF-800-3	877	907	997	1200	610	998	590	530	616	45	708	1507	40	801	1339	800
LEF-900-3	995	1020	1110	1253	593	1120	660	600	690	45	800	1690	40	889	1491	1000
LEF-1000-3	1140	1170	1260	1350	620	1250	730	670	766	45	859	1872	40	978	1644	1000

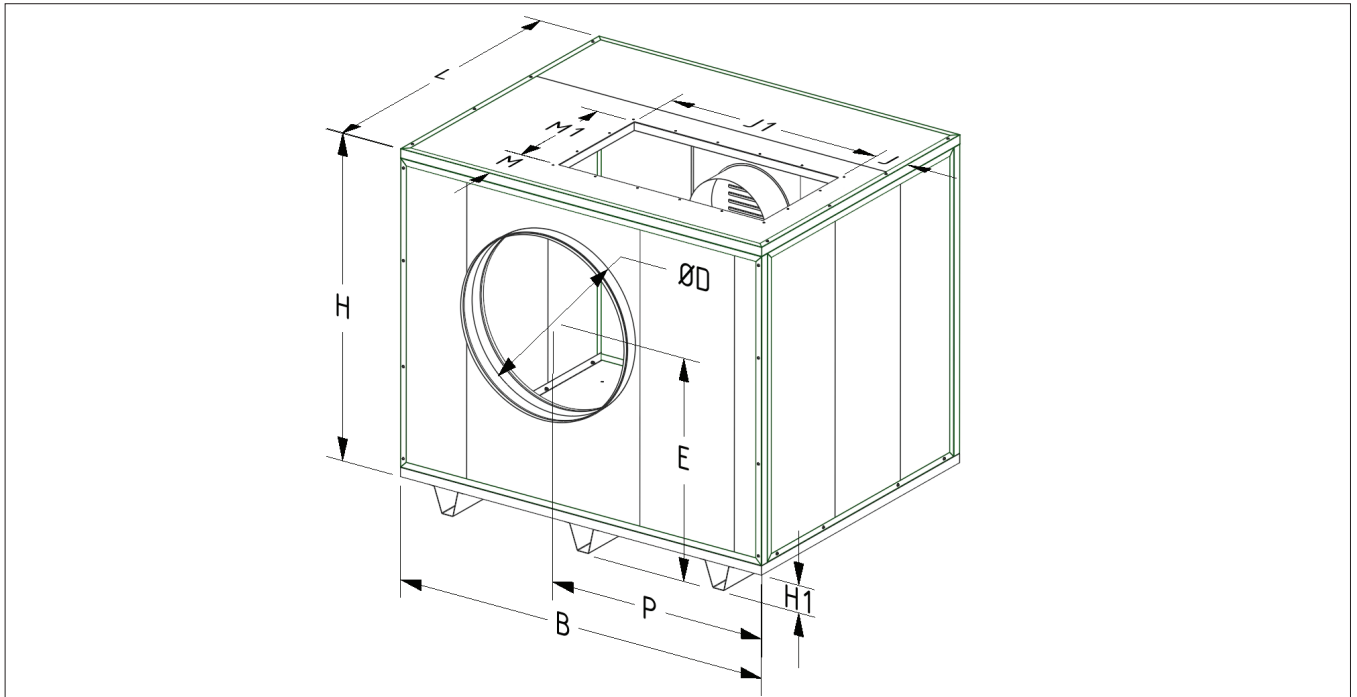
## Accessories for fans



Art. No.	Description
36-670	Sound box 800
36-770	Sound box 900
36-870	Sound box 1000

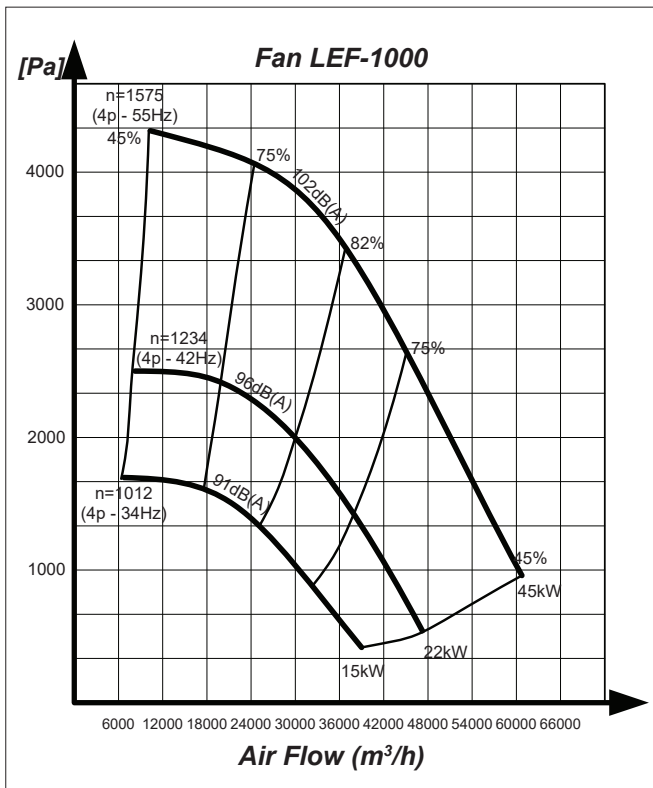
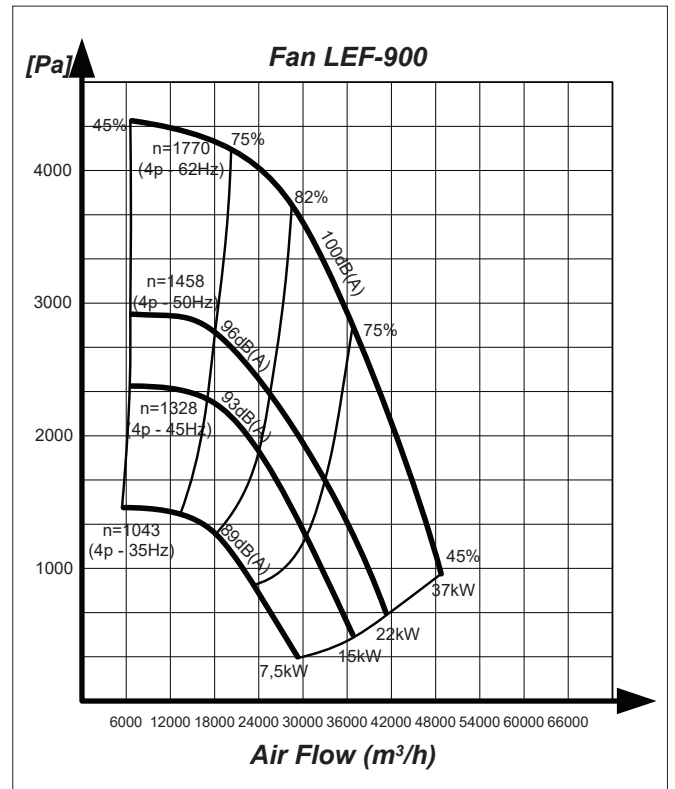
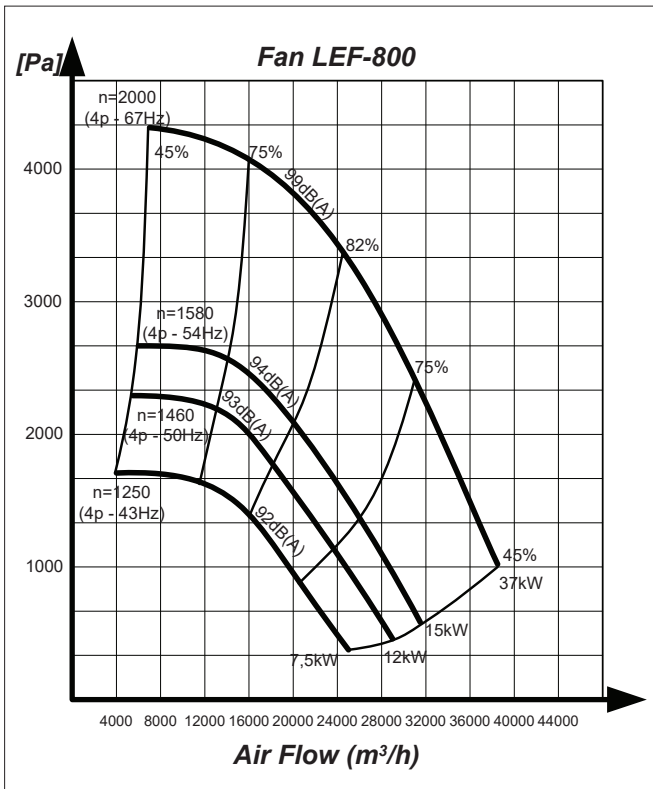
Protects against wind, weather and noise - noise reduction 10-15 dB (A)

## Dimensions, sound boxes - all measurements in mm



Model	L	B	H	H1	E	P	J	J1	M	M1	øD
LEF 800	1505 mm	1810 mm	1488 mm	150 mm	1045 mm	1044 mm	180 mm	998 mm	235 mm	530 mm	800 mm
LEF 900	1555 mm	2010 mm	1640 mm	150 mm	1130 mm	1135 mm	160 mm	1120mm	273 mm	600 mm	1000 mm
LEF 1000	1755 mm	2210 mm	1795 mm	150 mm	1220 mm	1278 mm	195 mm	1250 mm	290 mm	671 mm	1000 mm

Pressure drop for LEF 800 to 1000



## Accessories for fans



### Art. No. Description

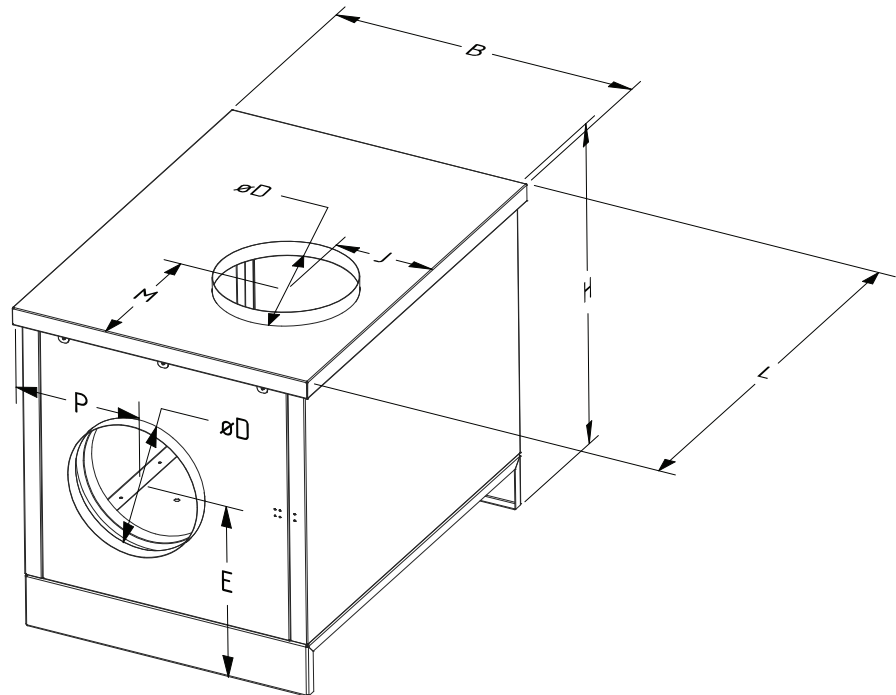
38-072	Sound box2 146
30-072	Sound box2 180
31-072	Sound box2 200
32-072	Sound box2 225
33-072	Sound box2 250
34-072	Sound box2 315
34-572	Sound box2 355
35-072	Sound box2 400
35-572	Sound box2 450
36-572	Sound box2 500
35-872	Sound box2 560
35-772	Sound box2 630

Protects against wind and weather - noise reduction 10-15 dB(A)



### Art. No. Description

30-087	Sound box MHF 400
30-088	Sound box MHF 500



Type	146/180/200	225/250	315	355/400	450/500	560/630	30-087	30-088
B	518	615	715	873	986	1290	715	715
H	592	652	778	915	1046	1277	1002	1002
L	685	784	984	1080	1272	1390	784	784
øD	200	250	315	400	500	630	160	200
E	330	345	415	485	546	673	405	430
P	226	268	298	354	420	525	352	342
M	212/262	254	335	308	379	429	202	202
J	169/189	205	233	269	318	393	254	229
Weight	34 kg	42 kg	63 kg	81 kg	105 kg	155 kg	90 kg	95 kg

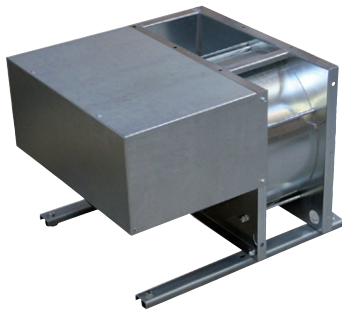
## Accessories for fans



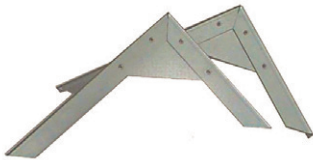
Art. No.	Description
38-009	Outlet flange 146/ø80
38-015	Outlet flange 146/ø125
38-021	Outlet flange 146/ø160
30-015	Outlet flange 180/ø160
30-019	Outlet flange 180/ø200
31-019	Outlet flange 200/ø160
31-015	Outlet flange 200/ø200
31-015A	Outlet flange 200/ø250
31-015B	Outlet flange 200/ø315
32-019	Outlet flange 225/ø200
32-015	Outlet flange 225/ø250
32-021	Outlet flange 225/ø315
33-015	Outlet flange 250/ø250
33-019	Outlet flange 250/ø200
33-021	Outlet flange 250/ø315
34-015	Outlet flange 315/ø315
34-023	Outlet flange 315/ø400
34-515	Outlet flange 355/ø315
34-519	Outlet flange 355/ø400
35-015	Outlet flange 400/ø400
35-019	Outlet flange 400/ø500
35-021	Outlet flange 400/ø630
35-519	Outlet flange 450/ø400
35-515	Outlet flange 450/ø500
35-521	Outlet flange 450/ø630
36-515	Outlet flange 500/ø500
36-519	Outlet flange 500/ø630
35-815	Outlet flange 560/ø500
35-819	Outlet flange 560/ø630
35-821	Outlet flange 560/ø800
35-774	Outlet flange 630/ø500
35-775	Outlet flange 630/ø630
35-776	Outlet flange 630/ø800
36-619	Outlet flange 800/ø800
36-621	Outlet flange 800/ø1000
36-721	Outlet flange 900/ø1000
36-721A	Outlet flange 900/ø1250
36-821	Outlet flange 1000/ø1000
36-821A	Outlet flange 1000/ø1250

Other sizes on request

## Accessories for fans



Art. No.	Description
38-060	Rain cover 146
30-060	Rain cover 180
31-060	Rain cover 200
32-060	Rain cover 225
33-060	Rain cover 250
34-060	Rain cover 315
34-560	Rain cover 355
35-060	Rain cover 400
35-560	Rain cover 450
36-560	Rain cover 500
35-660	Rain cover 560
35-780	Rain cover 630



07-150	Wall bracket 146 to 200 (2-piece set)
07-151	Wall bracket 225 to 250 (2-piece set)
07-152	Wall bracket 315 to 355 (2-piece set)
07-153	Wall bracket 400 to 450 (2-piece set)
07-154	Wall bracket 500 (3-piece set)
07-155	Wall bracket 560-630 (4-piece set)



07-068	Roof console GB 15-45°
07-069	Roof console 0-5° for fan size 146-315



92-200	Manual circuit breaker - adjustment range: 0,4-0,63 A
92-201	Manual circuit breaker - adjustment range: 0,63-1,00 A
92-202	Manual circuit breaker - adjustment range: 1,00-1,60 A
92-203	Manual circuit breaker - adjustment range: 1,60-2,50 A
92-204	Manual circuit breaker - adjustment range: 2,50-4,00 A
92-205	Manual circuit breaker - adjustment range: 4,00-6,30 A
92-206	Manual circuit breaker - adjustment range: 6,00-10,0 A
92-207	Manual circuit breaker - adjustment range: 9,00-14,0 A
92-208	Manual circuit breaker - adjustment range: 13,0-18,0 A
92-209	Manual circuit breaker - adjustment range: 17,0-23,0 A

92-210	Breaker switch for canceling process monitor/pressure switch. Mounted with circuit breaker.
92-210A	230V Changeover contact NO/NC



07-160	Flexible connection $\varnothing$ 160 mm
07-161	Flexible connection $\varnothing$ 200 mm
07-162	Flexible connection $\varnothing$ 250 mm
07-163	Flexible connection $\varnothing$ 315 mm
07-164	Flexible connection $\varnothing$ 400 mm
07-165	Flexible connection $\varnothing$ 500 mm
07-166	Flexible connection $\varnothing$ 630 mm

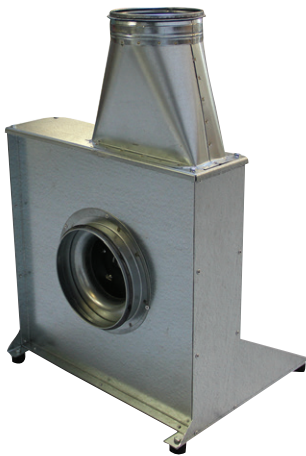
## Fan for direct mounting on hose reel type GTE and GTS and on WING and COMPACT arms



### Art. No. Description

31-209	Fan MSQ-200-3 0,75kW, 3x400V, 1.400 m <sup>3</sup> /h - 1,9A
31-208	Fan MSQ-200-1 0,75 kW, 1x230V, 1.400 m <sup>3</sup> /h - 4,9A
31-202	Fan MSQ-200-3 1,1 kW 2800 rpm 3x400 V 50 Hz
31-019	Outlet flange 200/ø160 for MSQ-200
04-460A	Mounting bracket for hose reel GTE and GTS ø160 (factory mounted). For mounting fan MSQ directly on the side of a hose reel.
04-460B	Mounting bracket for hose reel GTE ø200 (factory mounted). For mounting fan MSQ directly on the side of a hose reel.
31-201	Adapter for mounting on wall console for ø160 arms
31-207	Adapter for mounting on wall console for ø200 arms

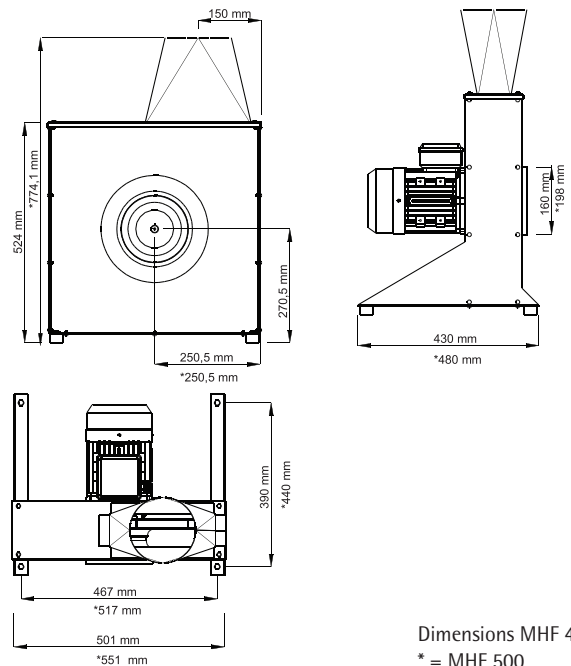
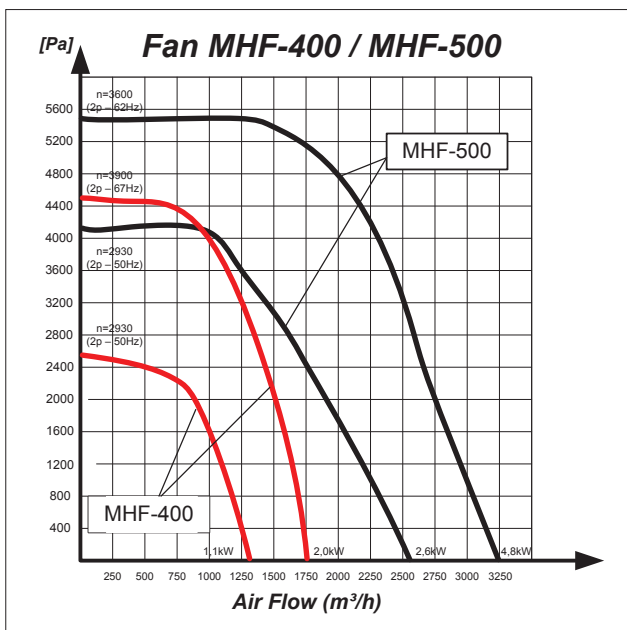
## Fans MHF 400 to 500 - with closed B-impeller



Centrifugal fan with closed wheel with backward curved blades and direct driven flange motor. The MHF-fan is used for industrial process extraction. The MHF-fan delivers a high pressure and is ideal for PID/constant pressure regulation. Incl. outlet flange.

Art. No.	Description	[kW]	[A]	Max [m <sup>3</sup> /h]	Max [Pa]
35-450	MHF-400-3 3x400V, 50Hz	1,1	2,4	1300	2500
35-451	MHF-400-3 3x400V, 50Hz	2,2	4,4	1.800	4.500
36-550	MHF-500-3 3x400V, 50Hz	4	7,2	2600	4000
36-550A	MHF-500-3 3x400V, 65Hz	5,5	9,8	3.200	5.500

## Pressure drop and dimensions, fan MHF 400 to 500



## Fans, plastic



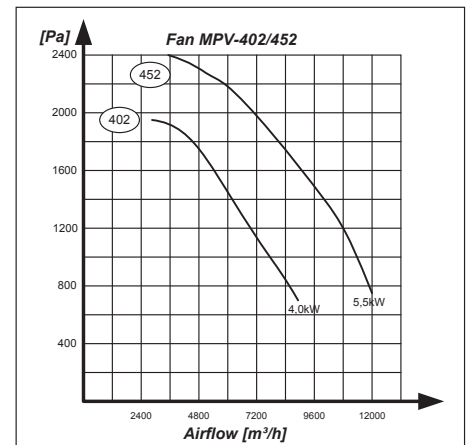
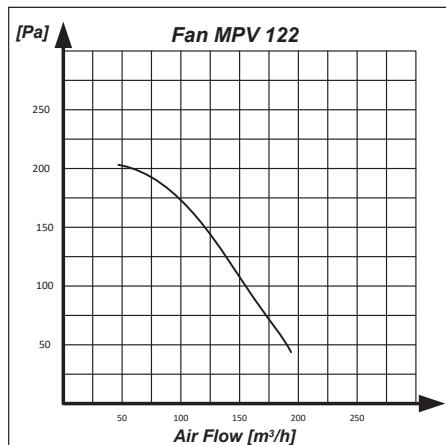
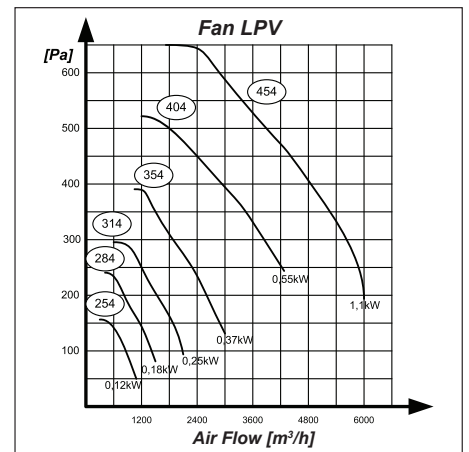
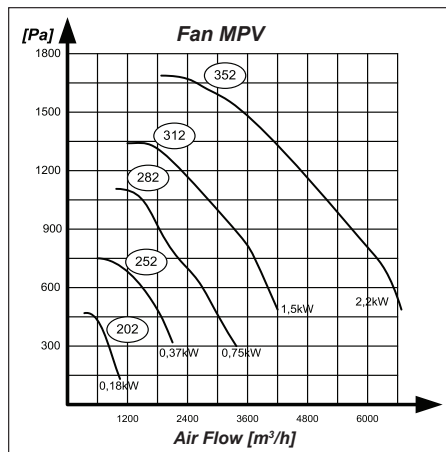
Other sizes and types of plastic fans can be supplied on request.

GEOVENT plastic fans are suitable for extraction in corrosive environments - e.g. laboratories, battery rooms, chemical cupboards and more.  
Fan house is cast in polyethylene (PE) and impeller is constructed in heavy duty polypropylene (PP).  
Air flows up to 6.700 m<sup>3</sup>/h and available pressure up to 1.700 Pa.

Art. No.	Description	[kW]	[A]	[rpm]	Max [m <sup>3</sup> /h]	Max [Pa]
38-102	MPV-122-3	0,12	0,4	2.800	175	280
38-103	MPV-122-1	0,12	0,95	2.800	175	280
38-106	MPV 202-3	0,18	0,49	2.750	1.080	470
38-108	LPV 254-3	0,12	0,42	1.370	1.080	160
38-110	MPV 252-3	0,37	0,87	2.820	2.100	750
38-112	LPV 284-3	0,18	0,58	1.370	1.500	240
38-114	MPV 282-3	0,75	1,66	2.820	3.360	1.100
38-116	LPV 314-3	0,25	0,8	1.400	2.100	290
38-118	MPV 312-3	1,5	3,15	2.850	4.260	1.320
38-120	LPV 354-3	0,37	1,13	1.400	3.000	380
38-122	MPV 352-3	2,2	4,4	2.870	6.720	1.700
38-125	MPV-402-3	4	7,2	2.850	9.000	2.050
38-126	LPV 404-3	0,55	1,75	1.420	4.260	520
38-128	MPV-452-3	5,5	9,8	2.850	12.000	2.550
38-132	LPV 454-3	1,1	2,6	1.420	6.000	650

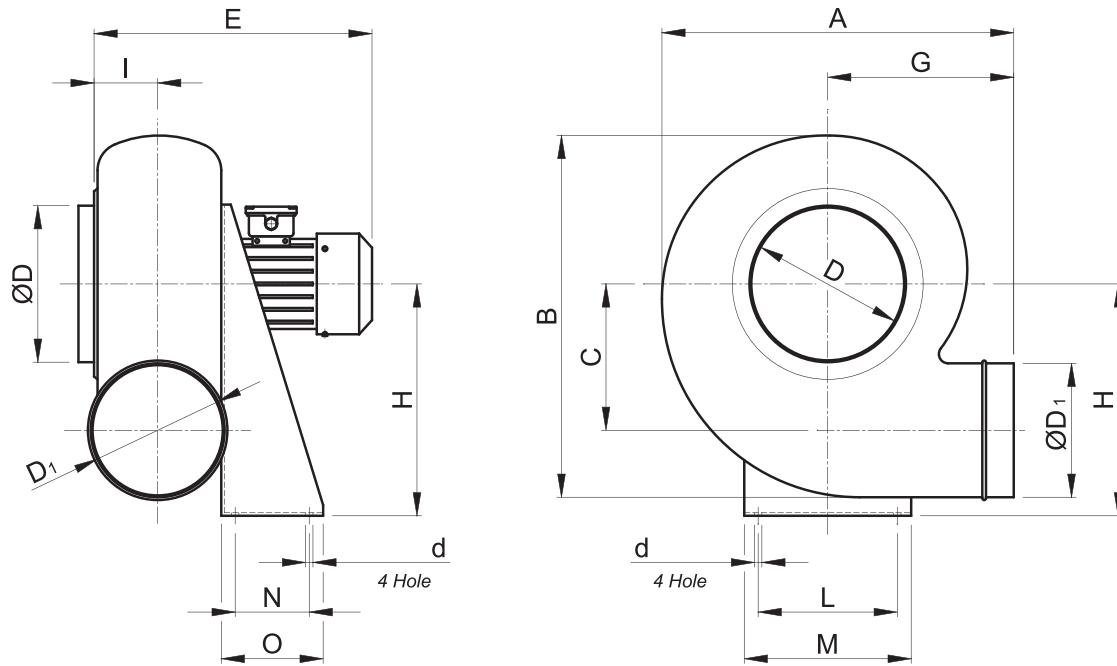
Plastic fans are available in 1-phase versions and ATEX versions (zone 1). Enquire for prices. They can also be used with frequency converters. Ask for prices.

## Pressure drop for plastic fans





## Dimensions, plastic fans



## Dimensions, plastic fans

	rpm	kW	A	B	C	E	G	H	I	D	ØD <sub>1</sub>	L	M	N	O	d	kg	dB(A)
MPV 202	2.750	0,18	373	400	140	355	193	250	80	160	160	200	235	100	140	11	9	65
MPV 252	2.800	0,37	453	500	173	405	225	310	92,5	200	200	255	290	100	140	11	13	72
MPV 282	2.850	0,75	485	560	208	435	260	350	97,5	225	225	280	316	120	190	11	19	75
MPV 312	2.850	1,5	560	640	240	490	280	410	100	250	250	320	355	150	230	11	26	78
MPV 352	2.870	2,2	597	715	260	527	285	445	118,5	280	280	355	390	150	230	11	32	80
MPV 402	2.850	4	675	835	290	582	319	495	126	315	315	325	365	240	315	11	57	81
MPV 452	2.850	5,5	750	880	324	702	350	550	143,5	355	355	370	410	270	340	11	75	81
LPV 254	1.370	0,12	453	500	173	375	225	310	92,5	200	200	225	290	100	140	11	10	56
LPV 284	1.370	0,18	515	560	208	385	260	350	97,5	225	225	280	316	120	190	11	14	59
LPV 314	1.400	0,25	560	640	240	420	280	410	100	250	250	320	355	150	230	11	19	62
LPV 354	1.400	0,37	597	715	260	457	285	445	118,5	280	280	355	390	150	230	11	23	64
LPV 404	1.410	0,55	675	790	290	492	319	495	126	315	315	324	365	170	250	11	33	67
LPV 454	1.410	1,1	750	880	324	577	350	550	143,5	355	355	370	410	170	250	11	40	67

Special variants on request.

## Wood dust extraction WE-55



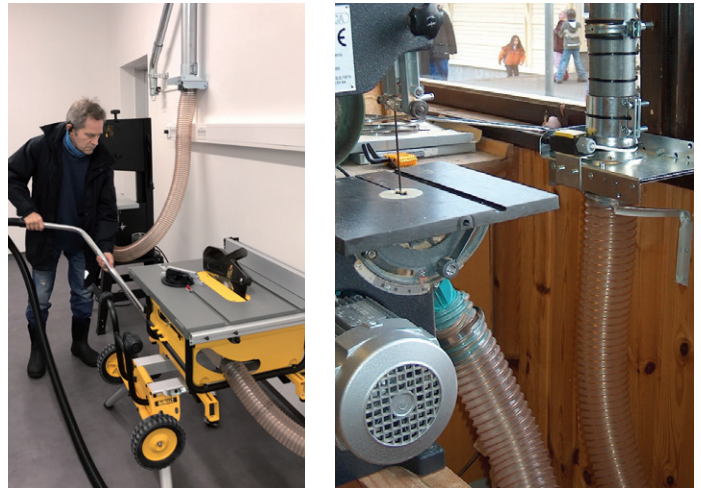
WE55 is a central vacuum unit, perfectly suited for schools. WE55 can be used as vacuum cleaner as well as transport of particles.

With a capacity of 5.5 kW (1.800 m<sup>3</sup>/h – 8.000 Pa) it ensures a clean and healthy working environment without any air particles in the room.

The control unit has the possibility for automatically start/stop and filter shake at shut down.

The bin sensor stops the unit as soon as the bag is full.

Please do not hesitate to contact us.

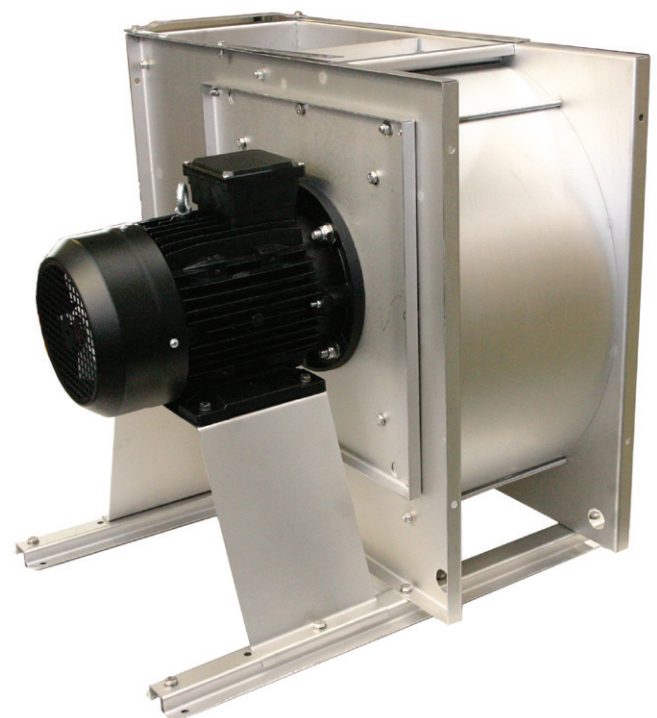


Art. No.	Description	[kW]	[A]	Max [m <sup>3</sup> /h]	Max [Pa]
03-750	GeoJet WE-55 unit	5,5kW	11,5A	1800m3/h	8000Pa

## Stainless steel fan

Our fans can be delivered in stainless steel on request - AISI 316L.

We offer different versions with a large selection of motors. The stainless steel versions are available in standard or ATEX.



# MOBILE UNIT



GeoGo Mini - White Line

For many years we have manufactured different kinds of mobile extraction units, which gives the users a great flexibility. In Denmark it is demanded, that the polluted air is extracted out of the building. This could be by connecting the extraction unit to a pipe system or to use a hose which leads the air outside.

In many foreign markets the recirculation of air is allowed, taken that the air is cleaned. Therefore, we have developed mobile extraction units with integrated filters.

A special need is found by dentists, podiatrists, and others, who experience a demand and a need for extraction of air from the treatment room in order to protect their patients, employees, and themselves.

For this group of customers we have developed solutions for air cleaning and exchange of the air adapted to the specific need. Together with other protective solutions a mobile extraction unit or air cleaning unit is an efficient solution. This way a comfortable and safe environment is secured.





PM-200 and PM-225

Geovent supplies portable and mobile ventilation and extraction solutions for use on board ships, off shore, in farming, for service engineers and industry. Common to all tasks is that it is difficult and some times impossible to establish a fixed point of extraction as the tasks are where the operator is working, e.g. welding jobs on building material, paint jobs, or repair work on ships or oil rigs. The outlet hose is placed outside so the operator is not exposed to hazardous fumes, smoke or particles.

Note: Recirculation is not always in compliance with local regulations, therefore, we recommend using a hose on the fan outlet and place it outside.

Art. No.	Description
30-006A	PM-180-1 including 10 m ø125 mm GeoFlex WELD hose, hood with magnet, thermal protection with breaker and 10m cable 1x230V with plug. Airflow max. 700 m <sup>3</sup> /h, less if the hose is bent.
30-006H	PM-180-1 including 10 m ø160 mm GeoFlex WELD hose, hood with magnet, thermal protection with breaker and 10m cable 1x230V with plug. Airflow max. 1.100 m <sup>3</sup> /h, less if the hose is bent.
31-006H	PM-200-1 including 10m ø160mm GeoFlex Weld hose, hood with magnet, thermal protection with breaker and 10m cable 1x230V with plug. Airflow max. 1.800 m <sup>3</sup> /h, less if the hose is bent. Transport trolley for easy transport.
32-006A	PM-225-3 including 10 m ø200 mm GeoFlex Weld hose, hood with magnet, thermal protection with breaker and 10m cable 3x400V with CEE plug. Airflow max. 2.400 m <sup>3</sup> /h, less if the hose is bent. Transport trolley for easy transport.
30-007	Additional charge for transport cart
09-310A	Extra 10m hose with MF/NP quick coupling, ø125 mm
09-313H	Extra 10m hose with MF/NP quick coupling, ø160 mm
09-314H	Extra 10m hose with MF/NP quick coupling, ø200 mm



Geovent PM-250 is a portable fan suitable for the extraction of welding fumes, vapours etc., where it is not possible to install fixed extraction points. Furthermore, it can be used for blowing fresh air into cargo holds, tanks etc. The robust and compact design makes it lightweight, and thus a very versatile mobile extraction solution. PM-250-3 is delivered with 2 x 5m ø200 mm exhaust hose. Aluminium suction hood with 1 strong magnet is included.

Art. No.	Description
33-002A	Mobile fan PM-250-3 ø200 mm



Mobile extractor with fixed ASA3-arm. Used in i.e. repair shops where a fixed arm is inconvenient. Powdercoated black steel with wheels and low center of gravity. Height (without arm): 1700 mm Complete set with MSFG-200-3 fan, 3x400V with 10m cable, ASA3-arm ø160 mm and 5m outlet hose. Also available without fan.

Art. No.	Description
10-270-2W	Mobile extractor with 2 m ASA arm
10-270-3W	Mobile extractor with 3 m ASA arm
10-270	Mobile trolley for ASA arm, without arm and fan



GeoGo is a mobile unit with built-in filters. It is designed to be used in changing workplaces, e.g. for welding or grinding. GeoGo is provided with aluminum metal pre-filter, and a V-bank F9 filter, so that the air is cleaned to a minimum of 95%. It is supplied with an extraction arm to the customer's request: WING arm, ASA-4 arm, or ESA arm. These are  $\varnothing 160$  mm in 2 or 3 meters. The built-in fan is 1,1 kW 230V or 1,1kW 110V. It is quiet compared with equivalent products and has a maximum air flow of 1.450 m<sup>3</sup>/h. Comes with Schuko plug.

Art. No.	Description
15-210	GeoGo 1,1kW 1x230V W3. Without arm. Not yet available
15-211	GeoGo 1,1kW 1x230V, V-Bank - F9. Without arm
15-212	GeoGo 1,1 kW 1x230V HEPA H13. Without arm
15-213	GeoGo 1,1kW 1X110V. Without arm

01-008G	WING arm 2,0 m $\varnothing 160$ mm
01-009G	WING arm 3,0 m $\varnothing 160$ mm
01-650G	ESA arm 2,0 m $\varnothing 160$ mm
01-651G	ESA arm 3,0 m $\varnothing 160$ mm
ASA4-2-160G	ASA-4 arm 2,0 m $\varnothing 160$ mm
ASA4-3-160G	ASA-4 arm 3,0 m $\varnothing 160$ mm

15-211A	V-Bank F9 595x595x292
15-211B	V-Bank Filter HEPA 595x595x292
15-211C	Metal filter Alu 595x595x20



GeoGo Mini White Line is an extractor suitable for extraction and filtration of dust, aerosols, and other substances in the air. These substances are typically generated in treatment rooms of dentists, podiatrists etc. and other activities where people are treated by people. It is necessary to protect people from dust, aerosols, and other substances which can be harmful to the health. Comes with F7, HEPA 14 filter and Schuko plug as well as a standard Perma arm with hood. Other solutions on request.

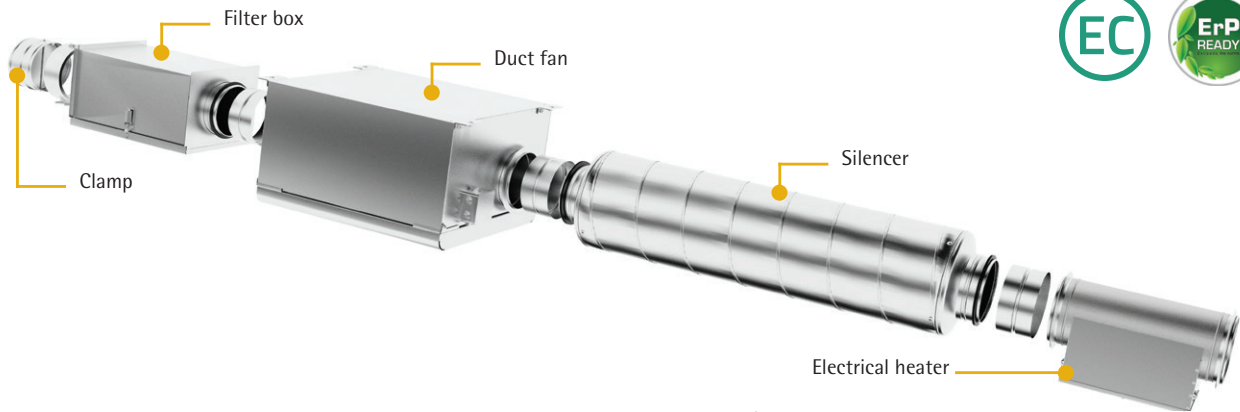
Art. No.	Description
15-150	GeoGo Mini - White Line. Incl. arm and filter
15-196	Filter F7 for GeoGo Mini / Clean
15-197	Filter H14 for GeoGo Mini / Clean
15-198	Filter F7 with active carbon



GeoGo Clean is suitable for extraction for filtering dust, aerosols and other particles. It is used for cleaning air in all rooms where continuous air cleaning is desired. Comes with F7, HEPA 14 filter and Schuko plug. Other solutions on request.

Art. No.	Description
15-170	GeoGo Clean
15-196	Filter F7 for GeoGo Mini / Clean
15-197	Filter H14 for GeoGo Mini / Clean
15-198	Filter F7 with active carbon

## Duct- and Box fans



such as heaters, filter boxes, dampers, etc.  
Duct fans are mostly used in low-to medium-pressure ducted systems with additional components such as heaters, filter boxes, dampers, etc.

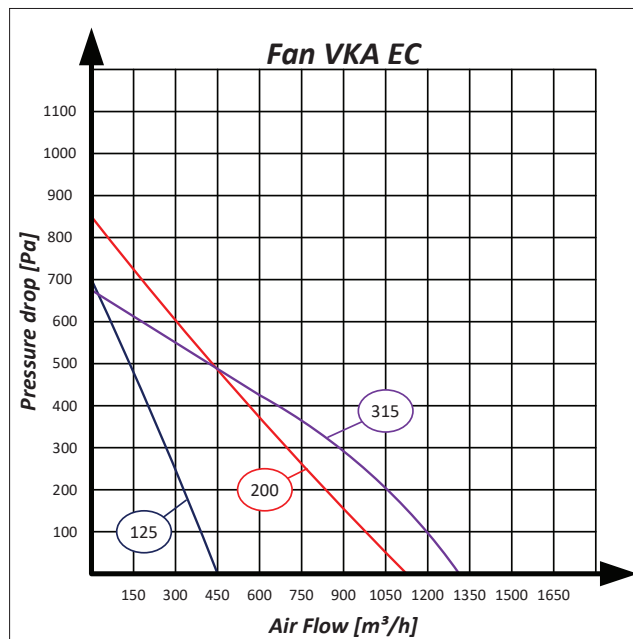
## VKA EKO - EC-Fans



Duct fan with backward-curved impeller and 1-phase EC-Fan. Surrounding temperature range: - 25°C to + 60°C. For indoor mounting.

Art. No.	Description	[kW]	[A]	Max [m <sup>3</sup> /h]	Max [Pa]
39-100	VKA-125 EC	0.08	0.75	446	698
39-102	VKA-200 EC	0.17	1.4	1110	862
39-104	VKA-315 EC	0.166	1.4	1327	670

## Pressure drop



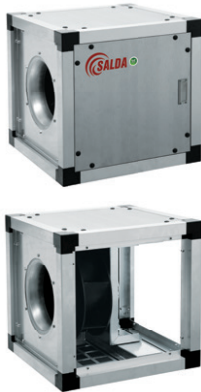
## AKU EKO - EC-Fans



Duct fan with backward-curved impeller and 1-phase EC-Fan. Surrounding temperature range: - 40°C to + 60°C. Sound box with 50 mm isolation. For indoor installation, but can be placed outdoors under a roof.

Art. No.	Description	[kW]	[A]	Max [m <sup>3</sup> /h]	Max [Pa]
39-110	AKU-125 EC	0,05	0,4	296	363
39-111	AKU-160 EC	0,11	0,75	632	914
39-112	AKU-200 EC	0,20	1,4	1101	1150
39-114	AKU-315 EC	0,40	3,00	1642	966

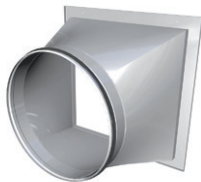
## KUB EKO - EC-Fans



Duct fan with backward-curved impeller with 1- and 3-phase EC-Fan. Surrounding temperature range: - 20°C to + 60°C. Sound box with 20 mm isolation. For indoor or outdoor mounting.

Art. No.	Description	Volt	[kW]	[A]	Max [m <sup>3</sup> /h]	Max [Pa]
39-120	KUB 50-355 EC	230V	0,37	1,65	3007	573
39-121	KUB 67-400 EC	230V	0,74	3,9	5227	686
39-122	KUB 67-500 EC	400V	1,25	2,1	8071	699
39-124	KUB 80-560 EC	400V	1,50	2,6	10744	688
39-125	KUB 80-630 EC	400V	2,40	4,4	15000	881

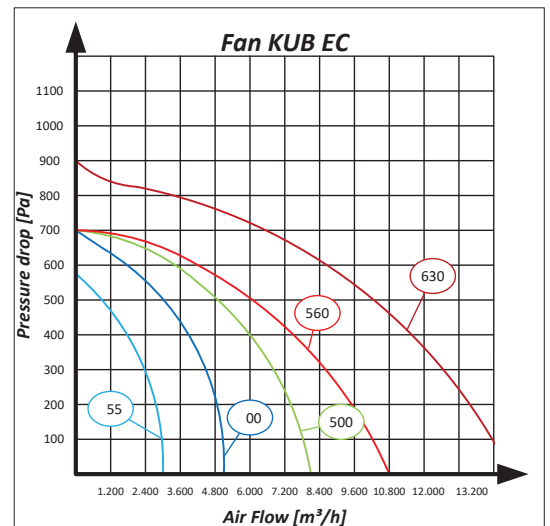
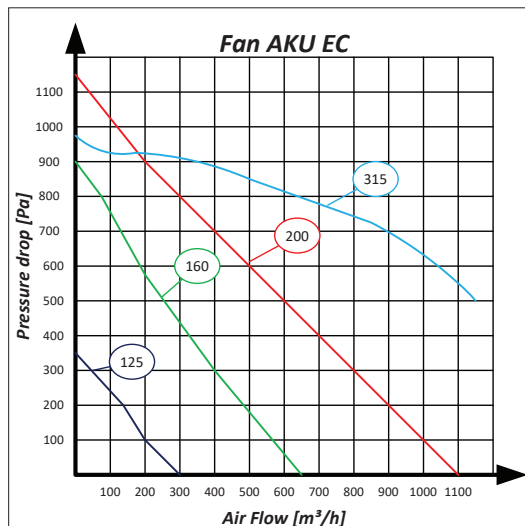
## Outlet flange



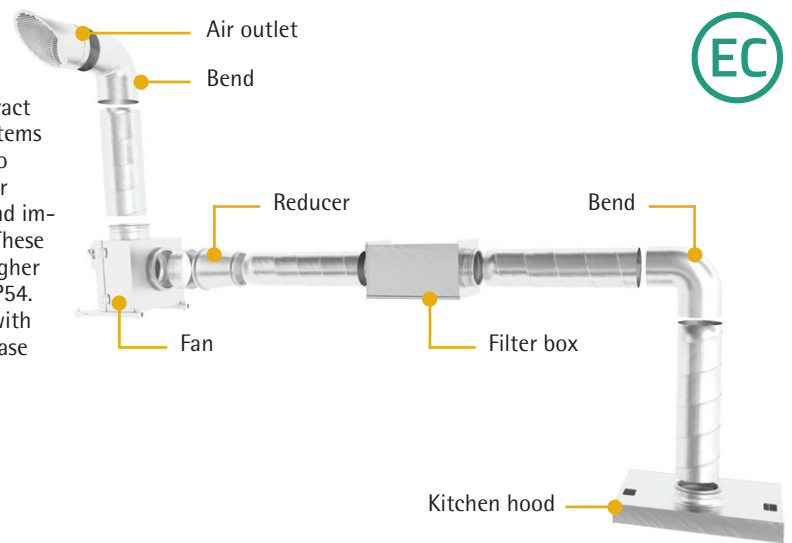
Art. No. Description

39-120A	Outlet flange KUB 50-355 EC - 420x420/ø355
39-121A	Outlet flange KUB 67-400 EC - 590x590/ø400
39-122A	Outlet flange KUB 67-500 EC - 590x590/ø500
39-124A	Outlet flange KUB 80-560 EC - 695x695/ø560
39-125A	Outlet flange KUB 80-630 EC - 695x695/ø630

## Pressure drop



Fans are used to extract air in ventilation systems where the air is up to 120°C and has higher levels of humidity and impurities like grease. These fans' motors have higher protection class of IP54. Units are equipped with easily removable grease trays and are service friendly.



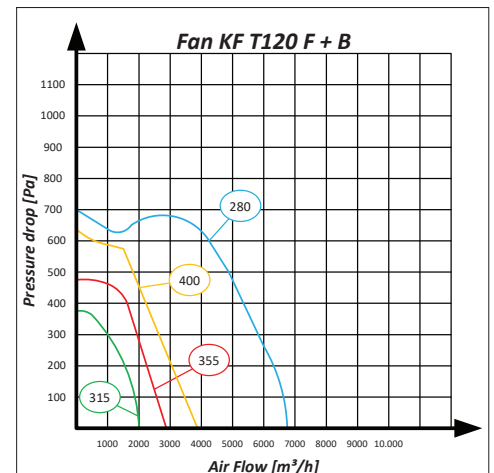
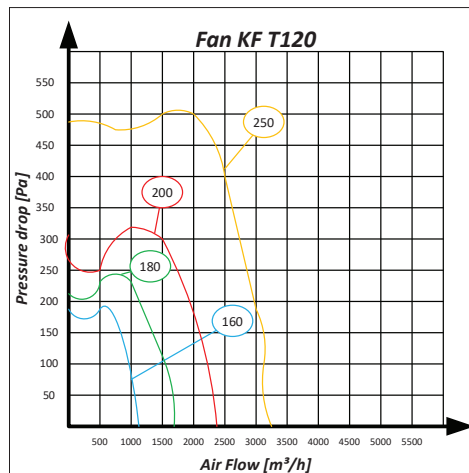
KF T120 EC - EC-Fans



EC\_Fan with 1- and 3-phase EC-Fan. Surrounding temperature range: - 25°C to + 60°C. Sound box with 50 mm isolation. Can be used as a kitchen fan. For indoor or outdoor mounting.

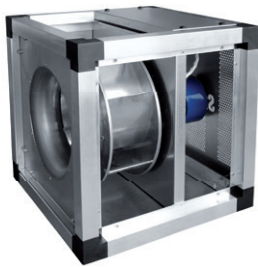
Art. No.	Description	Volt	[kW]	[A]	Max [m <sup>3</sup> /h]	Max [Pa]
39-160	KF-B-315 EC	230V	0,15	0,70	1977	370
39-161	KF-B-355 EC	230V	0,15	0,70	2776	476
39-162	KF-B-400 EC	230V	0,44	1,90	3771	634
39-163	KF-F-160 EC	230V	0,13	1,20	1052	181
39-164	KF-F-180 EC	230V	0,25	1,20	1680	248
39-165	KF-F-200 EC	230V	0,45	2,00	2435	332
39-166	KF-F-250 EC	230V	0,74	3,20	3176	515
39-167	KF-F-280 EC	400V	2,60	4,00	6663	703

Pressure drop



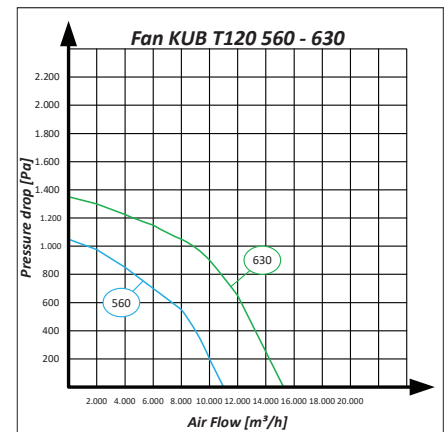
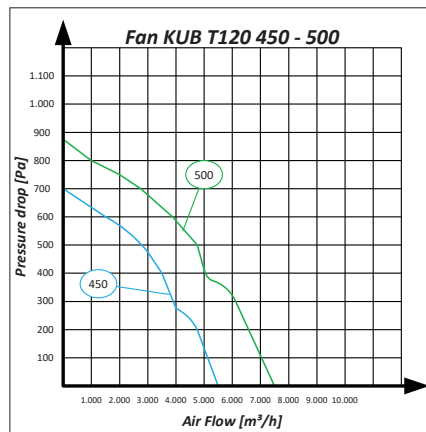
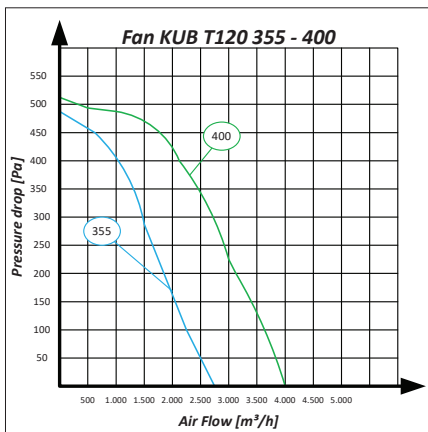


## KUB T120 - Fans



Fan with backward-curved impeller and 3-phase Fan. Surrounding temperature range: - 40°C to + 40°C. Sound box with 20 mm isolation. Can be used as a kitchen fan. For indoor or outdoor mounting.

Art. No.	Description	[kW]	[A]	Max [m³/h]	Max [Pa]
39-170	KUB-355-4	0,37	0,44	2619	465
39-171	KUB-400-4	0,55	1,4	3976	521
39-172	KUB-450-4	1,1	2,53	5645	740
39-173	KUB-500-4	1,50	3,3	7404	868
39-174	KUB-560-4	3,00	6	10942	1.050
39-175	KUB-630-4	5,50	10,70	15100	1.350

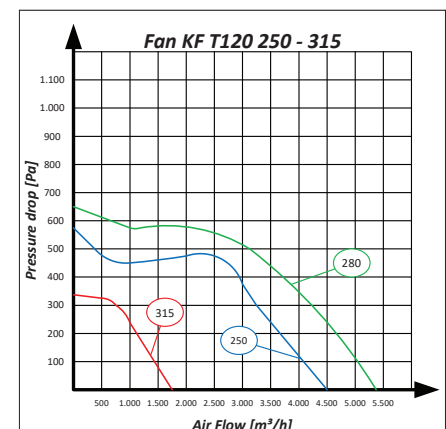
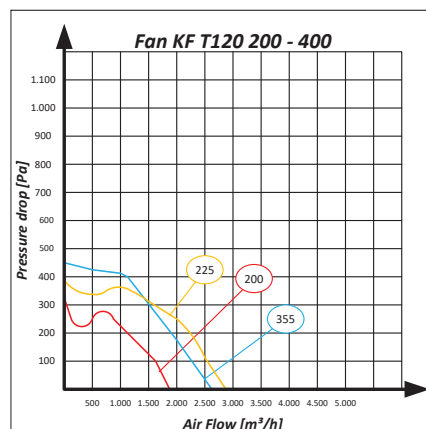
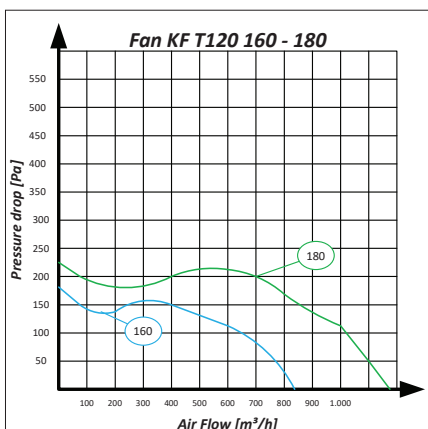


## KF T120 - Fans



Fan with 3-phase. Surrounding temperature range: - 40°C to + 40°C. Sound box with 50 mm isolation. Can be used as a kitchen fan. For indoor or outdoor mounting.

Art. No.	Description	[kW]	[A]	Max [m³/h]	Max [Pa]
39-180	KF-160-4	0,18	0,57	849	173
39-181	KF-180-4	0,29	1,00	1303	222
39-182	KF-200-4	0,54	1,44	1826	323
39-183	KF-225-4	0,92	1,72	2860	386
39-184	KF-250-4	1,60	3,37	4500	562
39-185	KF-280-4	2,66	4,70	5391	656
39-186	KF-315-4	0,18	0,68	1676	338
39-187	KF-355-4	0,29	0,98	2561	455



# AUTOMATICS



Geovent offers a wide range of options for ventilation and extraction controls.

## Airbox

Alarm transmitter - meets the requirements of the Danish Working Environment Authority and makes the user aware in case of failure of the ventilation unit.

## LWS Control panel

Automatic start / stop of ventilation unit. Saves energy and increases comfort for the employees.

## MultiBox IV

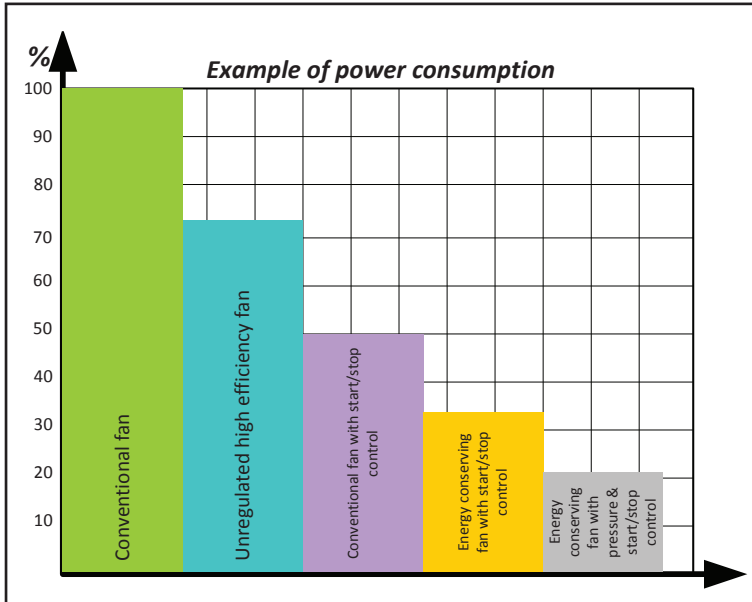
Control of airflow by pressure. Always adapt to the correct level. This reduces energy consumption significantly.

## PowerSmart II / Powerbox III

Ensures that there is always extraction when needed. It turns off automatically when the process stops. This means an insignificant economic gain as heated air is not extracted unnecessarily out of the building, unnecessary noise is reduced and the comfort of the operator is increased.



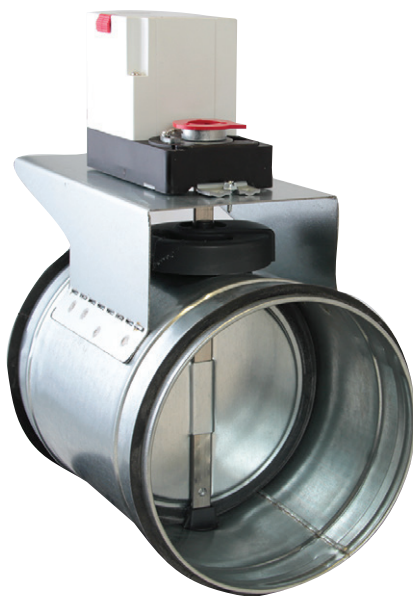
# AUTOMATICS



## Energy saving automatics

Save money on electricity and heating

Studies show that most point extraction installations are only used efficiently 5 - 20 % of the time during a working day. As a result there are substantial savings by optimizing use of the installation. Geovent offers several solutions helping you to save on electricity and heating. Normally the Return-of-investment is within 1 - 3 years.



### Fast action motor damper - GFD

Normal motor dampers does not turn fast enough for use with point extraction as the pollution starts instantly.

Geovents GFD fast turning damper opens in just one second and secures instant and efficient extraction.

24 V AC/DC On/off or modulating via 0-10V transformer or Powersmart/Powerbox.

Control type	Exhaust gas	Welding smoke	Grind dust	Oil mist
1 Point of extraction	Start/stop	Start/stop	Start/stop	Start/stop
2-4 Point of extraction	Start/stop	Pressure control	Start/stop	Start/stop
5-8 Point of extraction	Start/stop	Pressure control	Pressure control	Pressure control
9-12 Point of extraction	Start/stop	Pressure control	Pressure control	Pressure control
> 12 Point of extraction	Pressure control	Pressure control	Pressure control	Pressure control

# MULTIBOX

## PROVEN DESIGN

Geovent MultiBox IV is a 6th generation control unit, based on the latest microprocessor technology.

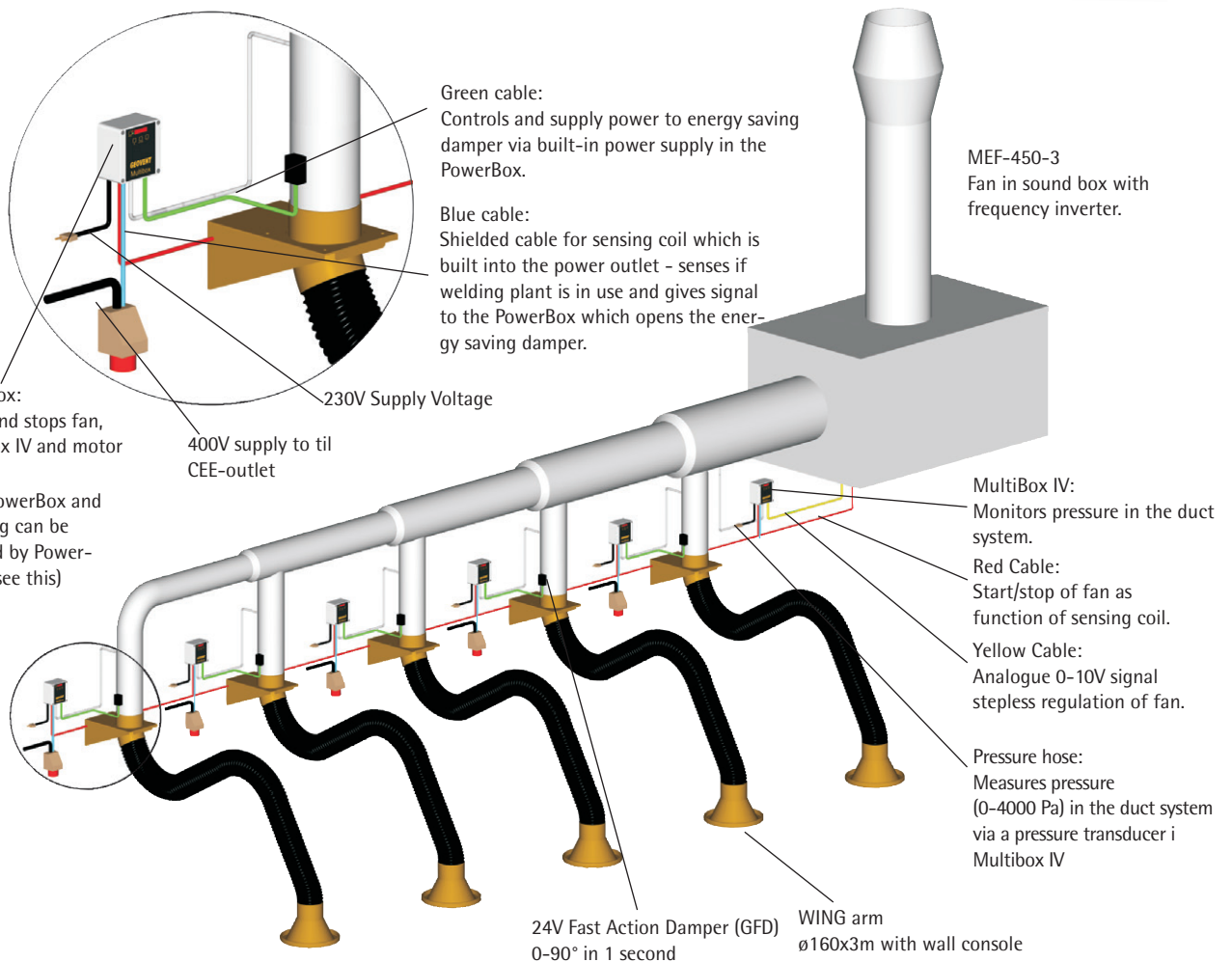
## SEVERAL OPTIONS IN ONE BOX

Geovent MultiBox IV can be used for pressure gauging, control, regulation and alarm surveillance in installations for process ventilation in the pressure range 0-4000 Pa.

## EASY TO USE

MultiBox IV is particularly suitable for dynamic pressure regulation in installations with regulation dampers and/or with fans with frequency inverters.

The desired pressure or flow (differential pressure) is entered as set-point and the built-in regulator will adjust damper or frequency inverter. If the regulation does not maintain pressure or flow within the predefined limits, the alarm is activated.



## Automatics



Pressure guard



Lamp



Light tower with built-in siren

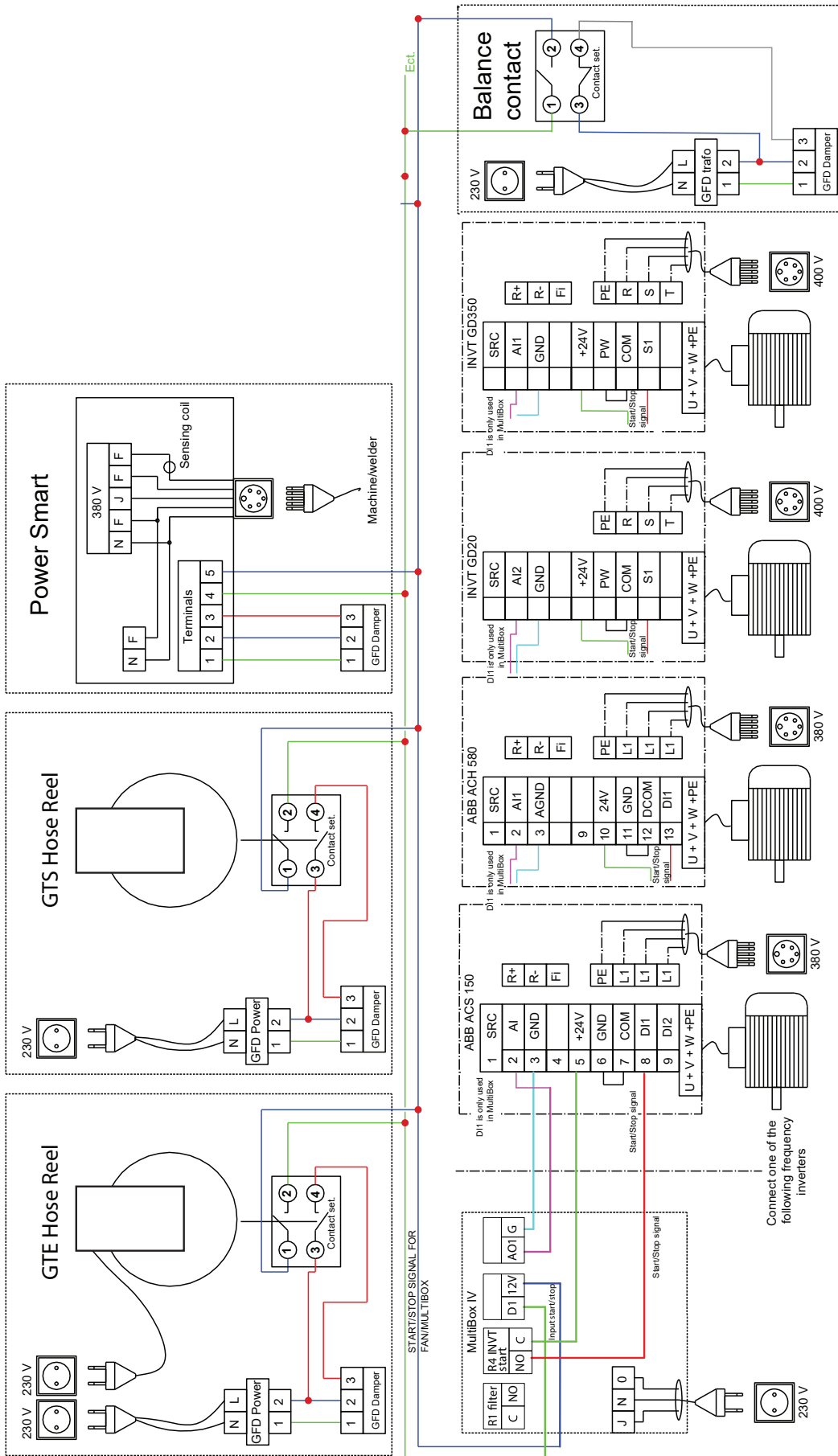


Siren



Art. No.	Description
13-701	Measure the differential pressure in the duct, and gives signal to the frequency inverter. Will regulate the fan speed according to the number of open dampers. With touch color screen. All relays are 10 A, 250 VAC - 3 set points and 230 VAC supply. 2 analog outputs - 1 primary and slave. 0 - 4000 Pa. Measures: 150x150x60mm. Weight: 0,55 kg
13-700A	MultiBox for high vacuum 30kPa
13-710A	AirBox for high vacuum 30kPa
13-730	AirBox Lite 500-2000 Pa ventilation guard, monitoring and alarm for process extraction. Complies with the requirements of the Danish Working Environment Authority. Red and green control light, no siren.
13-728	AirBox Lite 20-300Pa
13-729	AirBox Lite 100-1000Pa
13-727	AirBox Lite HV 30kPa
13-740	GeoGuard 500 (50-500 Pa) with differential pressure switch, 2 m pressure hose and warning light
13-741	GeoGuard 500 (50-500 Pa) with differential pressure switch, 2 m pressure hose and with multicolored light with integrated siren
13-742	GeoGuard 500 (50-500 Pa) with differential pressure switch, 2 m pressure hose and external siren
13-745	GeoGuard 2.500 (500-2.500 Pa) with differential pressure switch, 2 m pressure hose and warning light
13-746	GeoGuard 2.500 (500-2.500 Pa) with differential pressure switch, 2 m pressure hose and with multicolored light with integrated siren
13-747	GeoGuard 2.500 (500-2.500 Pa) with differential pressure switch, 2 m pressure hose and external siren
13-750	GeoGuard 5.000 (1.000-5.000 Pa) with differential pressure switch, 2 m pressure hose and warning light
13-751	GeoGuard 5.000 (1.000-5.000 Pa) with differential pressure switch, 2 m pressure hose and with multicolored light with integrated siren
13-752	GeoGuard 5.000 (1.000-5.000 Pa) with differential pressure switch, 2 m pressure hose and external siren
13-102	Pressure hose with mounting kit - 10 m ø6 mm
13-080	Red external alarm light 1x230V
13-081	External siren 1x230V - 100 dB(A)
13-059	PowerSmart II CEE 16A
13-058	PowerSmart II CEE 32A
13-058A	PowerSmart II CEE 63A
13-057	PowerBox III, sensing coil not included
13-047	Sensing coil for PowerBox. Register if welding plant, angle grinder or other equipment is in use and signals the PowerBox.
13-047A	Flux sensor for PowerBox. Must be used with equipment that does not comply with the EMC Directive.

# Multi coupling diagramme for switches, MultiBox IV and frequency inverters



**Adjusting MultiBox IV:**  
 Quickguide – also see manual  
 Setpoint 1  
 Min. alarm  
 Max. alarm

**Adjusting frequency inverter:**  
 See manual – important parameters, must be adjusted

## Automatics



Control panel LWS-2 for automatic start/stop of fan incl. circuit breaker.  
Optionally supplied with built-in timer, so the fan can run after the start signal is shut off.

Art. No.	Description
19-080	Control panel LWS-2 0,8-2,7A
19-081	Control panel LWS-2 0,8-2,7A with transformer and timer delay
19-082	Control panel LWS-2 1,9-6,3A
19-083	Control panel LWS-2 1,9-6,3A with transformer and timer delay
19-084	Control panel LWS-2 5,7-16A
19-085	Control panel LWS-2 5,7-16A with transformer and timer delay

Fan starter incl. motor guard and 24V power supply



Control panel LW for automatic start/stop of fan incl. circuit breaker. The control panel can e.g. be used for emergency vehicles.

Art. No.	Description
19-088	Control panel 1,9-6,3A with timer
19-087	Control panel 5,7-18,9A with timer

## External ABB frequency inverters



Affordable external frequency inverter incl. EMC radio noise filter.  
Built-in display and pot meter in front.  
We recommend installing a 300mA RCD in front of the inverter.

Art. No.	Description
19-160	ACS 150 1x230V 0,37kW IP20
19-161	ACS 150 1x230V 0,75kW IP20
19-162	ACS 150 1x230V 1,1kW IP20
19-163	ACS 150 1x230V 1,5kW IP20
19-164	ACS 150 1x230V 2,2kW IP20
19-165	ACS 150 3x380-480V 0,37kW IP20
19-166	ACS 150 3x380-480V 0,55kW IP20
19-167	ACS 150 3x380-480V 0,75kW IP20
19-168	ACS 150 3x380-480V 1,1kW IP20
19-169	ACS 150 3x380-480V 1,5kW IP20
19-170	ACS 150 3x380-480V 2,2kW IP20
19-171	ACS 150 3x380-480V 3,0kW IP20
19-172	ACS 150 3X380-480V 4,0kW IP20

## External ABB frequency inverters



High End external frequency inverter incl. EMC radio noise filter, incl. Assistant control panel. We recommend installing a 300mA RCD in front of the inverter.

Art. No.	Description
19-450	ACH 580 3X380-480V 0,75kW IP55
19-451	ACH 580 3X380-480V 1,1kW IP55
19-452	ACH 580 3X380-480V 1,5kW IP55
19-453	ACH 580 3X380-480V 2,2kW IP55
19-454	ACH 580 3X380-480V 3kW IP55
19-455	ACH 580 3X380-480V 4kW IP55
19-456	ACH 580 3X380-480V 5,5kW IP55
19-457	ACH 580 3X380-480V 7,5kW IP55
19-458	ACH 580 3X380-480V 11kW IP55
19-459	ACH 580 3X380-480V 15kW IP55
19-460	ACH 580 3X380-480V 18,5kW IP55
19-461	ACH 580 3X380-480V 22kW IP55

## GeoDrive GD20



Frequency inverter for fan regulation. Recommended for use with GEOVENT MultiBox. Constructed in hard dark plastic (IP20), incl. control panel. NB: We recommend installing a 300mA RCD.

Art. No.	Description
19-180	GeoDrive GD20 0,4 kW, 1X230 V, IP20
19-181	GeoDrive GD20 0,75 kW, 1X230 V, IP20
19-182	GeoDrive GD20 1,5 kW, 1X230 V, IP20
19-183	GeoDrive GD20 2,2 kW, 1X230 V, IP20
19-184	GeoDrive GD20 0,75 kW, 3X380-440 V, IP20
19-185	GeoDrive GD20 1,5 kW, 3X380-440 V, IP20
19-186	GeoDrive GD20 2,2 kW, 3X380-440 V, IP20
19-187	GeoDrive GD20 4,0 kW, 3X380-440 V, IP20

## GeoDrive GD350



Frequency inverter for fan regulation. Recommended for use with GEOVENT MultiBox. Purchase of WiFi and Bluetooth modules is possible. Constructed in black painted steel (IP55), incl. control panel. NB: We recommend installing a 300mA RCD.

Art. No.	Description
19-480	GeoDrive GD350 4,0 kW, 3X380-440 V, IP55
19-481	GeoDrive GD350 5,5 kW, 3X380-440 V, IP55
19-482	GeoDrive GD350 7,5 kW, 3X380-440 V, IP55
19-483	GeoDrive GD350 11,0 kW, 3X380-440 V, IP55
19-484	GeoDrive GD350 15,0 kW, 3X380-440 V, IP55
19-485	GeoDrive GD350 18,5 kW, 3X380-440 V, IP55
19-486	GeoDrive GD350 22,0 kW, 3x380-440 V, IP55
19-487	GeoDrive GD350 30,0 kW, 3x380-440 V, IP55
19-488	GeoDrive GD350 37,0 kW, 3x380-440 V, IP55
19-489	GeoDrive GD350 45,0 kW, 3x380-440 V, IP55
19-500	WiFi card for GD350
19-501	Bluetooth card for GD350



## Accessories for ABB frequency inverters



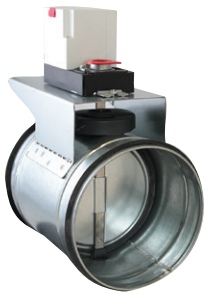
Art. No.	Description
97-002	External pot meter 10 kΩ. Speed adjustment 0-100%
19-285	Steel wall cupboard for ACS150 400x300x200mm. (HxWxD) With noise insulation for the frequency inverter. Incl. cooling fan and mesh.

## GeoDrive



Small range external frequency inverter, IP54, for control of AC motors. Supply: 1x230V. Output: 1x230V or 3x230V 50Hz. To be controlled via 0-10V signal.	
Art. No.	Description
19-300	GeoDrive E1045 - 0,37kW
19-301	GeoDrive E1045 - 0,75kW
19-302	GeoDrive E1045 - 1,5kW

## Motor damper ( 0 to 90° = 1 sec.)



Art. No.	Description
61-091	Motor damper GFD-80
61-092	Motor damper GFD-100
61-093	Motor damper GFD-125
61-094	Motor damper GFD-160
61-095	Motor damper GFD-200
61-096	Motor damper GFD-250

Quick action: on/off or modulating



61-046	Power supply 230V / 24V for GFD Motor Damper
--------	--

# HIGH VACUUM UNIT



Geovent High Vacuum Unit can be supplied as a complete unit, as separate modules, stationary or mobile. Geovent HVU is ideal when particles are to be removed from the polluting process, for example vacuuming and grinding jobs in the industry, repair shops or hotels where the separated particles must be collected and disposed of.

Geovent High Vacuum Unit is produced with high quality European components and is supplied complete with filter cartridge and filter cyclone, cleaning system with compressed air and available with customized controls.

Geovent's modular High Vacuum system is customized and designed specifically for the application. Typically a High Vacuum System consists of:

HVU Solo,  
Filter cyclone,  
Control panel

A pre-separator can be added to separate the largest particles before it reaches the filter cartridge.

Geovent carry a wide range of accessories for our High Vacuum Units including hoses, tubes, valves and energy satellites.

HVU Solo. Stand-alone side channel blower module.



# HIGH VACUUM UNIT

## Energy arm

Geovent Energy arm is used where power, compressed air and extraction is needed at the workplaces, as well as where flexibility is required.

Geovent Energy arm is delivered as standard with 4 meters (03-680) or 6 meters arm (03-681), spring balancer and two 2 tool hangers, 1 x  $\varnothing 50$  mm high vacuum outlet (AD50 valve w. flap), 2 pcs. 230V, 1 pc. 3x400V 16A power outlet, 1 on/off button and 2 compressed air outlets. All connections are gathered in  $\varnothing 125$  mm flex hose.

Geovent Energy arm can be customized.



HVU - fully automatic compressed air filtration, 99.9% efficiency

## HVU high vacuum description

The side channel blower is placed inside a galvanized sound insulated enclosure. The unit will be delivered as standard with control panel, filter cyclone, inlet filters and safety valve.

The HVU is delivered as standard for indoor use. The cabinet can upon request be sound insulated inside and is as standard provided with a gate for easy access to service. Motor cooling takes place via ventilation holes in the cabinet.

The heart of the HVU unit is a European produced side channel blower, which as standard can be delivered from 7,5 kW to 11 kW. In special needs we can deliver up to 22 kW.

The HVU can be upgraded with a "police filter" which protects the side channel blower from dust that is not caught by the main filter (fx. cleaning or leakage).

The control unit is delivered in a separate lacquered steel cabinet and is supplied with automatic start/stop function as standard. The start/stop function is activated via the micro-controller on the outlet valves or external contacts. Standard control panel is delivered for 3x400V, 50 Hz and can be delivered with built-in frequency inverter and PLC at extra cost, customized for the task.

## HVU Lite - 99,9% filtration efficiency and automatic pneumatic filter cleaning



Complete High Vacuum Unit with filter cyclone for extraction of dust from grinding processes, brake dust and work station cleaning. The unit is supplied with 99,9% antistatic filter cartridge of 6m<sup>2</sup>, collection bucket of 16 litres, start/stop control and automatic cleaning. HVU Lite is suitable for use in up to 6 hours a day from 1 - 4 outlets.

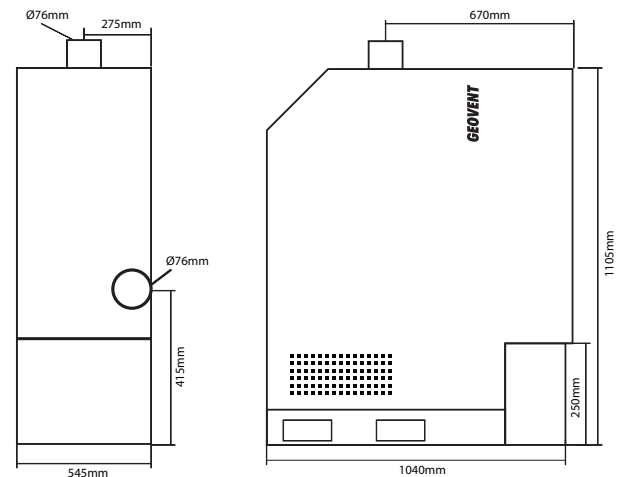
Art. No.	Description	[kPa] Max	[m <sup>3</sup> /h] v/ 0 Pa	[Volt]	[kW]
03-840	HVU Lite 300 With fully automatic pneumatic cleaning, automatic start/stop control panel and vacuum protection for side channel blower (overload protection).	25	562	3x400	7,5
03-841	HVU Lite 300 FRQ With fully automatic pneumatic cleaning, automatic start/stop, frequency inverter and vacuum protection for side channel blower (overload protection).	25	562	3x400	7,5

Dimensions: HxWxD = 1.040 x 545 x 1.105 mm

Connection: ø76 mm inlet on the front of the cyclone / ø76 mm outlet on the top.  
Noise level: 74 db(A)

Compressed air: 3,5 - 5 bar clean and dry air.

Model	HVU-Lite
Power [kW]	7,5
Power consumption 100% load	15,5 A
Max. air flow	562
Max vacuum [kPa]	25
Filter surface area [m <sup>2</sup> ]	5
Filtration level acc. to BIA-test [%]	99,9
Sound pressure level	74dB(A)
Compressed air tank [litres]	4
Collection bucket [litres]	16
Cabinet + cyclone ø700 mm	Powder coated
Corrosion class (indoor)	II
Weight [kg]	140
øD	76
ød	76



HVU-Lite Dimensions

## HVU - with fully automatic pneumatic filter cleaning, at 99,9% efficiency



Geovent high vacuum unit HVU (over 20 kPa). Suitable for vacuuming at pre-sale preparation of cars, grinder dust or in connection with energy arms.

The unit is supplied with a two-step filter cyclone with an efficiency of 99,9% and fully automatic pneumatic filter cleaning.

Complete with control panel for automatic start/stop, and vacuum protection. The HVU is suitable for intensive use - up to 8-10 hours a day and can be connected to up to 12 outlets.

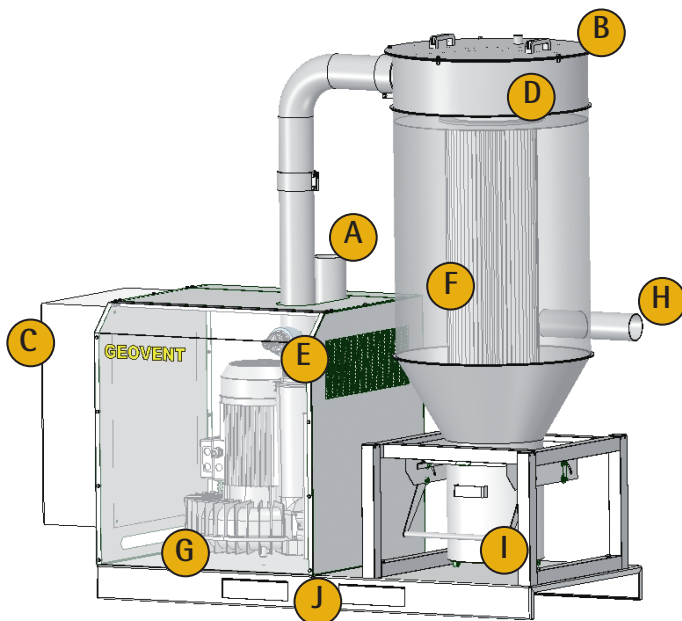
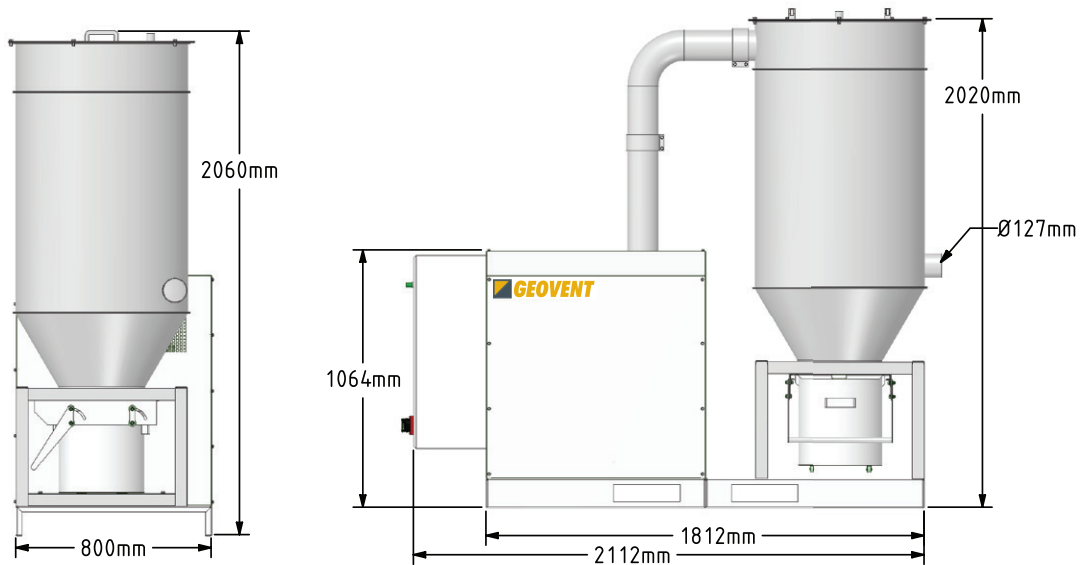
Art. No.	Description	[kPa] Max	[m <sup>3</sup> /h] v/ 0 Pa	[Volt]	[kW]
03-400	HVU 300 Complete unit	25	562	3x400	7,5
03-401	HVU 350 Complete unit	30	562	3x400	7,5
03-402	HVU 450 Complete unit	21	663	3x400	5,5
03-403	HVU 550 Complete unit	30	782	3x400	9,2
03-404	HVU 700 Complete unit	30	939	3x400	11

## Data for HVU

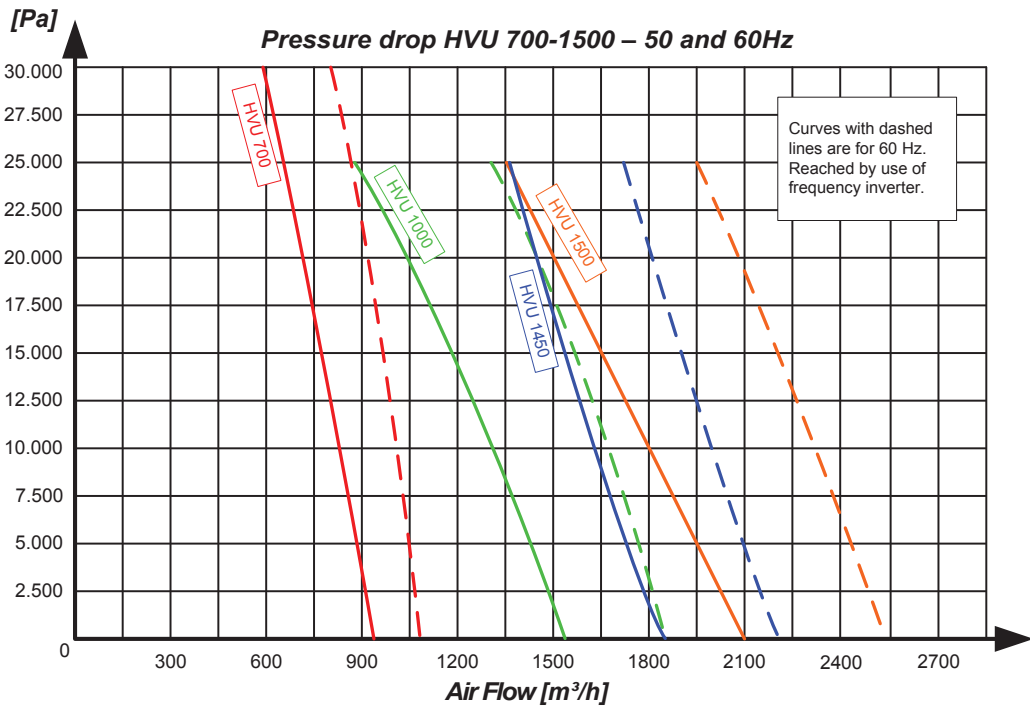
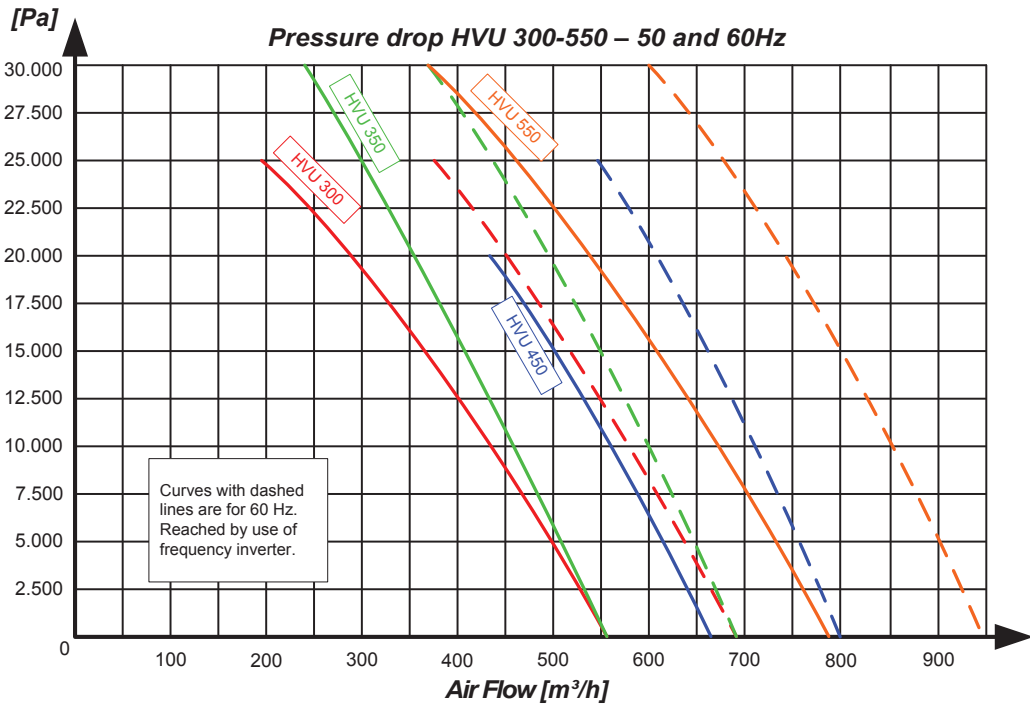


Model	HVU 300	HVU 350	HVU 450	HVU 550	HVU 700
Power [kW]	7,5	7,5	5,5	9,2	11
Power consumption 100% load	15,5 A	15,5 A	11,1 A	17,8 A	21,6 A
Max. air flow	562	562	663	782	939
Max vacuum [kPa]	25	30	21	30	30
Filter surface area [m <sup>2</sup> ]	12	12	12	12	12
Filtration level acc. to BIA-test [%]	99,9	99,9	99,9	99,9	99,9
Sound pressure level	74,8 dB(A)	72,1 dB(A)	77,1 dB(A)	77,4 dB(A)	78 dB(A)
Compressed air tank [litres]	4	4	4	4	4
Collection bucket [litres]	34	34	34	34	34
Cabinet + cyclone ø700 mm	Powder coated	Powder coated	Powder coated	Powder coated	Powder coated
Corrosion class (indoor)	II	II	II	II	II
Weight [kg]	210	215	215	225	245
øD	127	127	127	127	127
ød	127	127	127	127	127

### HVU Dimensions



- A ø127 mm Outlet
- B Removable top
- C Control panel with automatic start/stop and filter cleaning
- D Pneumatic cleaning system
- E Safety valve
- F Filter cartridge - alu-coated polyester tissue - antistatic
- G Shield for side channel blower
- H ø127 mm inlet
- I Collection bucket 34 litres
- J Frame with holes for forklift truck



## HVU Solo – stand alone module with side channel blower



Geovest High Vacuum Unit for flexible placement. The side channel blower is equipped with a vacuum limiter. Included as part of a complete high vacuum system. The cabinet is supplied coated and in galvanized steel. Requires use of filter.

Art. No.	Description	[kPa] Max	[m <sup>3</sup> /h] v/ 0 Pa	[Volt]	[A] 50Hz/60Hz	[kW]* 50Hz/60Hz
03-500	HVU Solo 300	25	562	3x400	15,5/15,2	7,5/9
03-501	HVU Solo 350	30	562	3x400	15,5/15,2	7,5/9
03-502	HVU Solo 450	21	663	3x400	11,1/11,0	5,5/6,5
03-503	HVU Solo 550	30	782	3x400	17,8/17,7	9,2/13
03-504	HVU Solo 700	30	939	3x400	21,6/21,2	11/13
03-505	HVU Solo 1000	25	1.539	3x400	33,8/34,0	18,5/22
03-506	HVU Solo 1450	30	1.855	3x400	40,0/39,9	22/26
03-507	HVU Solo 1500	25	2.104	3x400	40,0/39,9	22/26

\* 60 Hz requires control panel with frequency inverter, see services on the curve.

## HVU Filter cyclone



03-956

Separate filter cyclone for HVU Solo. The unit is equipped with a two-step filtering through a cyclone and a filter cartridge with 99,9% efficiency. The cyclone has shot valves, which cleans the filter cartridge.

Art. No.	Description	Connection	Filter Area
03-956	Filter cyclone for HVU Solo from 300 to 700, ø450 mm	ø127 mm	5 m <sup>2</sup>
03-956A	Filter cyclone for HVU Solo from 1000 to 1500, ø700 mm	ø127 mm	12 m <sup>2</sup>

Control panel not included

## HVU Control panel



Available in 2 versions: STD and FRQ.

STD with automatic, pneumatic filter cleaning and automatic start/stop.

FRQ come with built-in frequency inverter for demand control, automatic, pneumatic filter cleaning and automatic start/stop.

Art. No.	Description
19-133	Control panel for HVU with direct start
19-131	Control panel for HVU with soft-starter

19-121	Control panel for HVU 300 and 350 FRQ
19-122	Control panel for HVU 700 FRQ
19-124	Control panel for HVU Solo 1000 FRQ
19-125	Control panel for HVU Solo 1450 og 1500 FRQ

19-141	Control Panel HVU Solo 450 for systems with start-up and duct cleaning dampers (5,5 kW)
19-142	Control Panel HVU Solo 300 and 350 for systeme with start-up and duct cleaning dampers (7,5 kW max. 18A)
19-143	Control Panel HVU Solo 550 and 700 for systeme with start-up and duct cleaning dampers (15 kW max. 33A)
19-144	Control Panel HVU Solo 1000 for systems for systeme with start-up and duct cleaning dampers (18,5 kW max. 39A)
19-145	Control Panel HVU Solo 1450 and 1500 for systeme with start-up and duct cleaning dampers (30 kW max. 61,5A)

## HVU - accessories for units



Policefilter

03-958

Art. No.	Description
03-963	Sound insulation Solo cabinet
03-812F	Police filter for HVU 300, 350, 450 and 550
03-814F	Police filter for HVU 700
03-815F	Police filter for HVU 1000, 1450 and 1500
03-958	Pre-seperator HVU 300 to 700, $\phi$ 450 mm
03-958A	Pre-seperator HVU 1000 to 1500, $\phi$ 700 mm
20-032	Bin sensor, placed inside cyclone. Senses when the bin is full, and sends signal to the control panel. ATEX rated as standard.

## Accessories for cyclone for High Vacuum Units



Art. No.	Description
03-965	Solution with rotary valve incl. cyclone and Big bag The rotary valve empties continuously. Incl. filter cartridge 12 m <sup>2</sup> alu coated PTFE Antistatic Frame made of 50x50 mm coated steel. Without control panel.
03-966	Emptying system solution including cyclone and flap valve. The pneumatically operated flap valve opens when the cleaning system has finished cleaning. Incl. filter cartridge 12 m <sup>2</sup> alu coated PTFE Antistatic. Frame made of 50x50 mm coated steel. Without control panel.
03-968	Longopack solution incl. cyclone and damper. Comes with mounting bracket - 700x700x2.497 mm. Endless bags and manual damper make it easy to empty the cyclone without coming into contact with the material Incl. filter cartridge 12 m <sup>2</sup> alu coated PTFE Antistatic. Frame made of 50x50 mm painted steel. Without control panel. Ask for prices at Geovent!

## Accessories



Longopac bag

Big bag

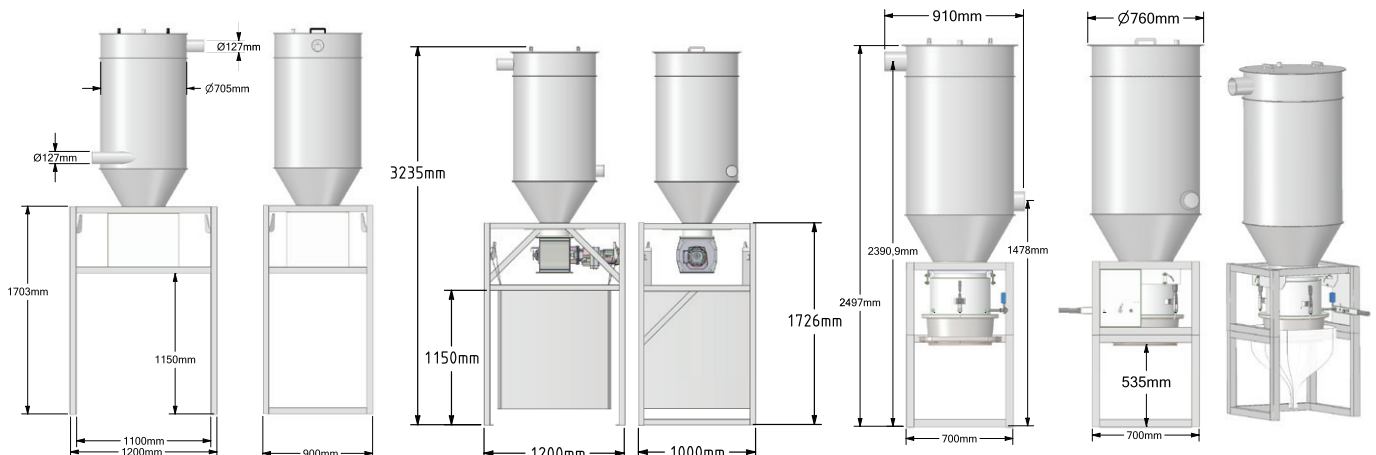
Art. No.	Description
03-968-B	Longopac bag, Maxi Strong ESD
03-965-A	Big bag - 91x91x104 cm. SWL 1500 kg.

## Dimensions

Pneumatic driven hatch

Solution with rotary valve

Longopack solution





## Accessories for HVU



Hose reel for high vacuum. When not in use the hose is wound up on the reel. The hose reel has an automatic damper, which opens when the hose is pulled out and a micro switch for start/stop of the unit. By default supplied with antistatic hose and pivotable mounting bracket. Wall or ceiling mounting. Connection  $\varnothing$ 50 mm.

Art. No.	Description
74-051	Hose reel with 9m, $\varnothing$ 38 mm hose
74-052	Hose reel with 7m, $\varnothing$ 50 mm hose

Special hose reels can be supplied on request

74-480	ASA-HV50 arm for high vacuum 2 m, $\varnothing$ 50 mm
74-481	ASA-HV50 arm for high vacuum 3 m, $\varnothing$ 50 mm
74-482	ASA-HV50 arm for high vacuum 4 m, $\varnothing$ 50 mm
74-483	Mini-HV50 arm for high vacuum 1 m, $\varnothing$ 50 mm
74-484	Mini-HV50 arm for high vacuum 1,5 m, $\varnothing$ 50 mm
74-485	Muffled HV hood with magnet

01-130HV	Extension arm ASA HV 2 m $\varnothing$ 50 mm
01-131BHV	Extension arm ASA HV 4 m $\varnothing$ 50 mm, 2 joint
01-131HV	Extension arm ASA HV 4 m $\varnothing$ 50 mm, 1 joint

03-259	Replacement cartridge $\varnothing$ 325 mm, HVU and HVU Filter cyclone. 12 m <sup>2</sup> - alu coated 100% polyester PTFE. Antistatic
03-260	Replacement cartridge $\varnothing$ 225 mm for HVU-Lite 5 m <sup>2</sup> alu coated 100% polyester PTFE. Antistatic
03-685	Energy satellite with $\varnothing$ 80 mm high vacuum outlets, $\varnothing$ 150 mm low vacuum outlet, 1 pc. 400V and 2 pcs. 230V power outlets and 2 compressed air outlets. Customizable.
03-680	Energy arm 4m with 2 tool hangers, 1 x $\varnothing$ 50 mm high vacuum outlet AD50 with flap, 2 pcs. 230V and 1 pc. 400V 16 amp. power outlets. On/off button and 2 outlets for compressed air. Connection on duct side is put together in a $\varnothing$ 125 mm flex hose. Equipped with spring balancer. Customizable.
03-681	As above but 6 meter



Energy arm 4m. Art. No. 03-680

## Accessories for HVU



Art. No.	Description
74-058	Hose cart for high vacuum hose, with 2 connected hose reels, each with 9 m $\varnothing$ 38 mm hose. Total range is approx 18 m. The reel has spring return system with stop mechanism.
74-060	Complete industrial vacuuming set $\varnothing$ 32 mm for high vacuum: <ul style="list-style-type: none"> <li>-Floor brush</li> <li>-Telescopic tube and handle with 10,5 m hose <math>\varnothing</math>32 mm</li> <li>-Round brush</li> <li>-Pointed mouth piece</li> <li>-Furniture mouth piece</li> <li>-Basket for accessories and hose holder</li> <li>-Start/Stop button in handle</li> </ul>

## Accessories for HVU, $\varnothing$ 38 mm



Art. No.	Description
74-502	Floor brush mouth piece for industrial use, metal, $\varnothing$ 38 mm
74-504	Brush mouth piece, $\varnothing$ 38 mm
74-505	Slit mouth piece, $\varnothing$ 38 mm
74-500	Tube for floor brush. One set = 1 bend and 1 two-piece tube
74-501	Steel tube, two-piece
74-501	Steel bend $\varnothing$ 38 mm
74-506	Hose connector $\varnothing$ 38 mm for GeoFlex High $\varnothing$ 38 mm. Fits $\varnothing$ 38 mm steel tube

## Accessories for HVU, $\varnothing$ 50 mm

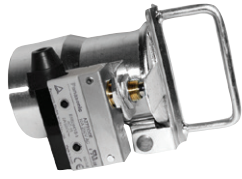


Art. No.	Description
74-552	Floor brush mouth piece for industrial use, metal, $\varnothing$ 50 mm
74-553	Slit mouth piece, $\varnothing$ 50 mm
74-550	Tube for floor brush. One set = 1 bend and 1 two-piece tube
74-550	Steel tube, two-piece, $\varnothing$ 50 mm
74-551	Steel bend $\varnothing$ 50 mm
74-554	Hose connector $\varnothing$ 50 mm for GeoFlex High $\varnothing$ 50 mm. Fits $\varnothing$ 50 mm steel tube

## Accessories for HVU



Art. No.	Description
74-077	Hose holder for wall
05-122	AD50 flap valve, glass reinforced nylon, without microswitch
74-081	AD50 flap valve, glass reinforced nylon, with microswitch
74-082	Outlet $\varnothing$ 50 mm with AD50 flap valve. Galvanized pipe and wall bracket. With microswitch. For $\varnothing$ 50 mm pipe.
74-101	Double outlet w. 2xAD50 flap valve and wall bracket. Powder coated. For $\varnothing$ 100 mm pipe. Additional charge for micro switch applies.
05-123	AKV universal adapter (male) for AD50. Suits hose $\varnothing$ 25- $\varnothing$ 45 mm
05-127	AKV adapter (male) for AD50. Suits hose $\varnothing$ 50 mm
05-128	AKV hose reduction, $\varnothing$ 25 => $\varnothing$ 32 => $\varnothing$ 38 => $\varnothing$ 45 => $\varnothing$ 50 mm



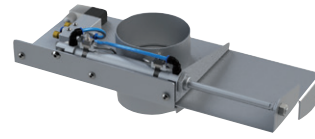
Flap valve



Y-pipe



Hose coupling



Compressed air damper



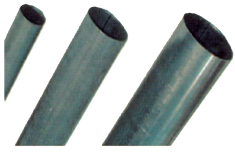
Branch pipe

### Accessories for HVU

Art. No.	Description
74-600	Metal flap valve $\varnothing 50$ - $\varnothing 50$
74-601	Metal flap valve $\varnothing 63$ - $\varnothing 50$
74-602	Metal flap valve $\varnothing 63$ - $\varnothing 63$
74-603	Metal flap valve $\varnothing 76$ - $\varnothing 63$
74-604	Metal flap valve $\varnothing 76$ - $\varnothing 76$
74-610	Metal flap valve $\varnothing 50$ - $\varnothing 50$ w/microswitch
74-611	Metal flap valve $\varnothing 63$ - $\varnothing 50$ w/microswitch
74-612	Metal flap valve $\varnothing 63$ - $\varnothing 63$ w/microswitch
74-613	Metal flap valve $\varnothing 76$ - $\varnothing 63$ w/microswitch
74-614	Metal flap valve $\varnothing 76$ - $\varnothing 76$ w/microswitch
74-620	Hose coupling $\varnothing 50$ - $\varnothing 38$ for metal flap valve $\varnothing 50$ and hose $\varnothing 38$
74-622	Hose coupling $\varnothing 50$ - $\varnothing 50$ for metal flap valve $\varnothing 50$ and hose $\varnothing 50$
74-623	Hose coupling $\varnothing 63$ - $\varnothing 50$ for metal flap valve $\varnothing 63$ and hose $\varnothing 50$
74-624	Hose coupling $\varnothing 63$ - $\varnothing 63$ for metal flap valve $\varnothing 63$ and hose $\varnothing 63$
74-625	Hose coupling $\varnothing 76$ - $\varnothing 50$ for metal flap valve $\varnothing 76$ and hose $\varnothing 50$
74-626	Hose coupling $\varnothing 76$ - $\varnothing 63$ for metal flap valve $\varnothing 76$ and hose $\varnothing 63$ mm
74-627	Hose coupling $\varnothing 76$ - $\varnothing 76$ for metal flap valve $\varnothing 76$ and hose $\varnothing 76$ mm
74-640	Connection piece $\varnothing 50$ for 2 hose couplings
74-641	Connection piece $\varnothing 63$ for 2 hose couplings
74-642	Connection piece $\varnothing 76$ for 2 hose couplings
74-660	Compressed air damper $\varnothing 50$ mm
74-661	Compressed air damper $\varnothing 63$ mm
74-662	Compressed air damper $\varnothing 76$ mm
74-663	Compressed air damper $\varnothing 102$ mm
74-664	Compressed air damper $\varnothing 127$ mm
74-665	Compressed air damper $\varnothing 152$ mm
74-666	Compressed air damper $\varnothing 160$ mm
74-667	Compressed air damper $\varnothing 200$ mm
74-670	Manual slide damper $\varnothing 50$ mm
74-671	Manual slide damper $\varnothing 63$ mm
74-672	Manual slide damper $\varnothing 76$ mm
74-673	Manual slide damper $\varnothing 102$ mm
74-674	Manual slide damper $\varnothing 127$ mm
74-675	Manual slide damper $\varnothing 152$ mm
74-680	Manual slide damper w/ microswitch $\varnothing 50$ mm
74-681	Manual slide damper w/ microswitch $\varnothing 63$ mm
74-682	Manual slide damper w/ microswitch $\varnothing 76$ mm
74-683	Manual slide damper w/ microswitch $\varnothing 102$ mm
74-684	Manual slide damper w/ microswitch $\varnothing 127$ mm
74-685	Manual slide damper w/ microswitch $\varnothing 152$ mm

### Duct and fittings high vacuum

Art. No.	Description
74-270	Galvanized pipe $\varnothing 50$ mm, length=3000 mm
74-270L	Galvanized pipe $\varnothing 50$ mm, length=6000 mm
74-271	Galvanized pipe $\varnothing 63$ mm, length=3000 mm
74-271L	Galvanized pipe $\varnothing 63$ mm, length=6000 mm
74-272	Galvanized pipe $\varnothing 76$ mm, length=3000 mm
74-272L	Galvanized pipe $\varnothing 76$ mm, length=6000 mm
74-273	Galvanized pipe $\varnothing 102$ mm, length=3000 mm
74-273L	Galvanized pipe $\varnothing 102$ mm, length=6000 mm
74-274	Galvanized pipe $\varnothing 127$ mm, length=3000 mm
74-274L	Galvanized pipe $\varnothing 127$ mm, length=6000 mm
74-274A	Galvanized pipe $\varnothing 152$ mm, length=3000 mm
74-274AL	Galvanized pipe $\varnothing 152$ mm, length=6000 mm
74-274B	Galvanized pipe $\varnothing 203$ mm, length=3000 mm
74-274BL	Galvanized pipe $\varnothing 203$ mm, length=6000 mm
74-275	Branch pipe 50/50 mm 45°, galv. length=300 mm
74-276	Branch pipe 63/63 mm 45°, galv. length=300 mm
74-277	Branch pipe 63/50 mm 45°, galv. length=300 mm
74-278	Branch pipe 76/76 mm 45°, galv. length=300 mm
74-279	Branch pipe 76/63 mm 45°, galv. length=300 mm
74-280	Branch pipe 76/50 mm 45°, galv. length=300 mm
74-284	Branch pipe 102/102 mm 45°, galv. length=300 mm
74-283	Branch pipe 102/76 mm 45°, galv. length=300 mm
74-282	Branch pipe 102/63 mm 45°, galv. length=300 mm
74-281	Branch pipe 102/50 mm 45°, galv. length=300 mm
74-450	Branch pipe 127/127 mm 45°, galv. length=300 mm



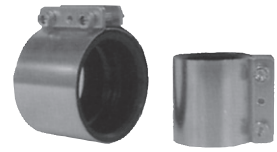
Ducts



Bends



Reductions



Connectors

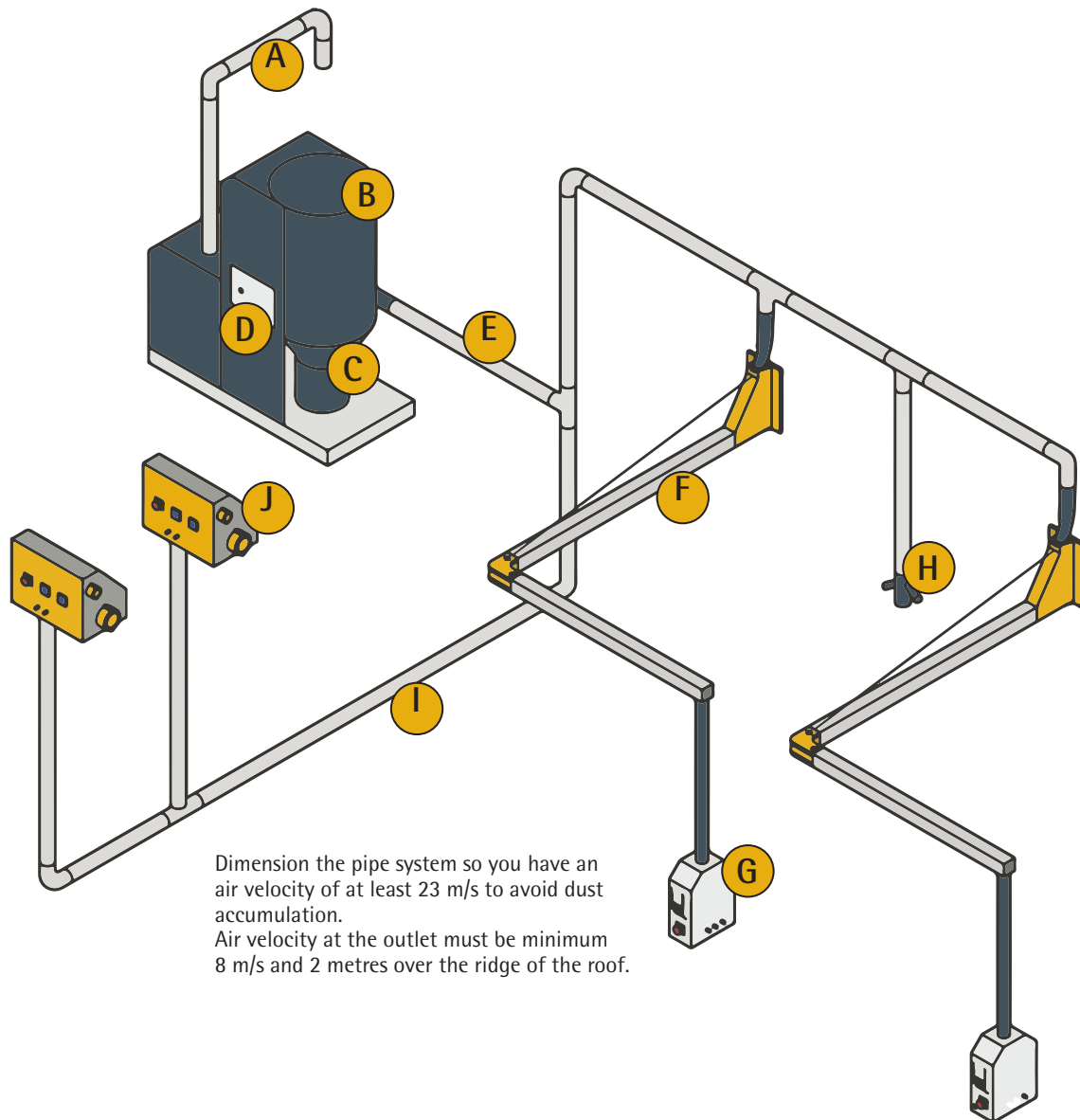
### Duct and fittings high vacuum

Art. No.	Description
74-451	Branch pipe 127/102 mm 45°, galv. length=300 mm
74-452	Branch pipe 127/76 mm 45°, galv. length=300 mm
74-453	Branch pipe 127/63 mm 45°, galv. length=300 mm
74-454	Branch pipe 152/152 mm 45°, galv. length=300 mm
74-455	Branch pipe 152/127 mm 45°, galv. length=300 mm
74-456	Branch pipe 152/102 mm 45°, galv. length=300 mm
74-457	Branch pipe 152/76 mm 45°, galv. length=300 mm
74-458	Branch pipe 152/63 mm 45°, galv. length=300 mm
74-459	Branch pipe 203/127 mm 45°, galv. length=300 mm
74-459A	Branch pipe 203/152 mm 45°, galv. length=300 mm
74-459B	Branch pipe 203/203 mm 45°, galv. length=300 mm
74-264	Y pipe ø50 mm for high vacuum
74-265	Y pipe ø63 mm for high vacuum
74-266	Y pipe ø76 mm for high vacuum
74-267	Y pipe ø102 mm for high vacuum
74-268	Y pipe ø127 mm for high vacuum
74-269	Y pipe ø152 mm for high vacuum
74-269A	Y pipe ø203 mm for high vacuum
74-285	Bend ø50x90°, centre radius=160 mm
74-286	Bend ø63x90°, centre radius=160 mm
74-287	Bend ø76x90°, centre radius=160 mm
74-287A	Bend ø102x90°, centre radius=160 mm
74-287C	Bend ø127x90°, centre radius=160 mm
74-287D	Bend ø152x90°, centre radius=160 mm
74-287E	Bend ø203x90°, centre radius=160 mm
74-288	Bend ø50x45°, centre radius=160 mm
74-289	Bend ø63x45°, centre radius=160 mm

### Duct and fittings high vacuum

Art. No.	Description
74-290	Bend ø76x45°, centre radius=160 mm
74-290A	Bend ø102x45°, centre radius=160 mm
74-290C	Bend ø127x45°, centre radius=160 mm
74-290D	Bend ø152x45°, centre radius=160 mm
74-290E	Bend ø203x45°, centre radius=160 mm
74-291	Reduction 63-50
74-292	Reduction 76-63
74-293	Reduction 76-50
74-294A	Reduction 102-76
74-294	Reduction 102-63
74-460	Reduction 127-102
74-461	Reduction 127-76
74-462	Reduction 152-127
74-463	Reduction 152-102
74-464	Reduction 203-152
74-295	Pipe connection ø50 mm w/ antistatic seal
74-296	Pipe connection ø63 mm w/ antistatic seal
74-297	Pipe connection ø76 mm w/ antistatic seal
74-298	Pipe connection ø102 mm w/ antistatic seal
74-299	Pipe connection ø127 mm w/ antistatic seal
74-299A	Pipe connection ø152 mm w/ antistatic seal
74-299B	Pipe connection ø203 mm w/ antistatic seal
74-310	End cap ø50 mm
74-311	End cap ø63 mm
74-312	End cap ø76 mm
74-313	End cap ø102 mm
74-314	End cap ø127 mm
74-134A	End cap ø152 mm
74-314B	End cap ø203 mm
74-315	Suspension bracket for pipe connection

All pipe and fittings are galvanized inside and outside.  
Pipe and fittings are available in stainless steel - enquire.



### Description

- A. Outlet - clean air
- B. High Vacuum Unit
- C. Filter cyclone with collection bucket
- D. Control panel with automatic start/stop
- E.  $\varnothing 125$  mm High Vacuum pipes
- F. Extension arms 4 or 6 m.
- G. Energy console with 2 High Vacuum outlets.  
1 pc. 400V and 1 pc. 230V power outlet  
3 compressed air outlet with start/stop for High Vacuum unit. Customisable on request.
- H. 2  $\varnothing 50$  mm High Vacuum outlets w/microswitch for start/stop of High Vacuum unit.
- I. Pipes below floor
- J. Energy satellite with  $\varnothing 80$  mm High Vacuum outlets,  
 $\varnothing 150$  mm Low Vacuum outlet, 1 pc. 400V and 2 pcs. 230V power outlet and 2 compressed air outlet.

### Application

Grinding dust extraction from rotary and vibration sanders.  
Extraction of metal shavings from milling, turning and sawing processes.  
Ordinary work station cleaning.

# ATEX compliant products

All ATEX-products from Geovent are manufactured in compliance with the directive 2014/34/EU, earlier 94/9/EC. It is the responsibility of the individual employer to obtain zone-classifications in the company concerned, and often this is carried out in cooperation with local authorities or qualified consultants.

For further information regarding ATEX, please refer to local instructions for work in ATEX and explosive atmospheres.

European companies are obliged to assess whether there is a risk of explosion in connection with their production as a result of ignition of an atmosphere consisting of air mixed with flammable gases, vapours, fluids, mist/aerosole or flammable dust mists.

If there is a risk, the risk must be assessed as the foundation of a classification of the area(s) in danger of explosion. In addition to this, the company must take precautions in order to avoid explosions and to draw up documentation.

The central principle is to divide the company into zones on basis of the risk of explosion and its consequences.

In this connection, it is necessary both to consider the type and the volume of leak, ventilation, safety systems and the potential ignition sources, as for instance electrostatic charge, electrical installations and mechanically generated sparks. The assessment is to apply to existing equipment as well as to new acquisitions of machinery and equipment.

A complete set of documentations are supplied with a Geovent ATEX product.



Zone	Description	Equipment	Geovent Equipment
0	Area, where constantly, frequently or for a longer period of time there is an explosive atmosphere, consisting of a mixture of air and flammable gas, vapours or mist.	Zone 0 G (gas)	-
1	Area, where an explosive mixture of air and flammable gas, vapour or mist may occasionally occur, during normal operation.	Zone 0 or 1 G (gas)	MSX/MEX fan, ASX, ASX-RF Plastic fan
2	Area, where during normal operation an explosive atmosphere, consisting of a mixture of air with flammable gas, vapour or mist probably does not occur. However, if it occurs, it will only be for a short period of time.	Zone 1 or 2 G (gas)	LEX, LSX, MHFX, MSX/MEX fan, ASX, ASX-RF
20	Area, where constantly, frequently or for a longer period of time there may be an explosive atmosphere, consisting of a cloud of flammable dust and air.	Zone 20 D (dust)	-
21	Area, where occasionally during normal operation an explosive atmosphere consisting of a cloud of flammable dust and air may occur.	Zone 20 or 21 D (dust)	GFX2 filter, ASX, ASX-RF
22	Area, where during normal operation an explosive atmosphere, consisting of a cloud of flammable dust and air may most probably not occur, and should it occur anyhow, it will only be for a short period of time.	Zone 20, 21, or 22 D (dust)	LEX, LSX, MHFX, MSX/ MEX fan, GFX2 filter, ASX, ASX-RF

**LSX / MSX – ATEX fan with forward curved scirocco impeller. Zone 1 – Not to be used with frequency inverter!**

ATEX  
Compliant



Art. No.	Description	[kW]	[A]	Max [m <sup>3</sup> /h]	Max[Pa]
37-010	LSX-146-3	0,25	0,90	700	160
37-020	MSX-146-3	0,50	1,30	900	620
37-030	LSX-180-3	0,25	0,90	1080	230
37-040	MSX-180-3	0,50	1,30	1670	950
37-050	LSX-200-3	0,55	1,50	1500	320
37-060	MSX-200-3	1,10	2,60	2100	1450
37-070	LSX-225-3	1,35	3,20	3200	450
37-080	MSX-225-3	1,85	4,00	2450	1500
37-090	LSX-250-3	2,00	4,20	3150	470
37-100	MSX-250-3	3,30	6,60	3160	1800

Please state required zone when ordering

**LSX / MSX – ATEX fan with forward curved scirocco impeller. Zone 2 og 22 – Can be used with frequency inverter**

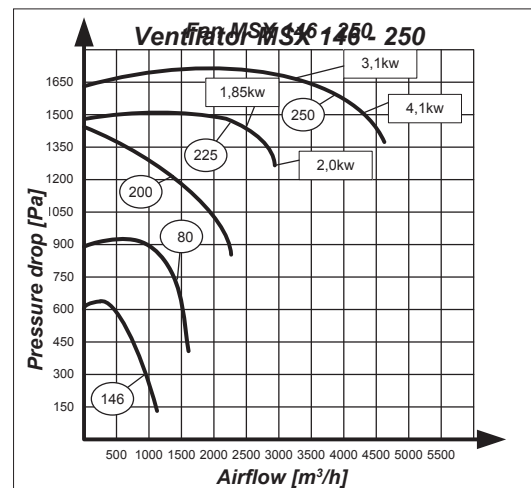
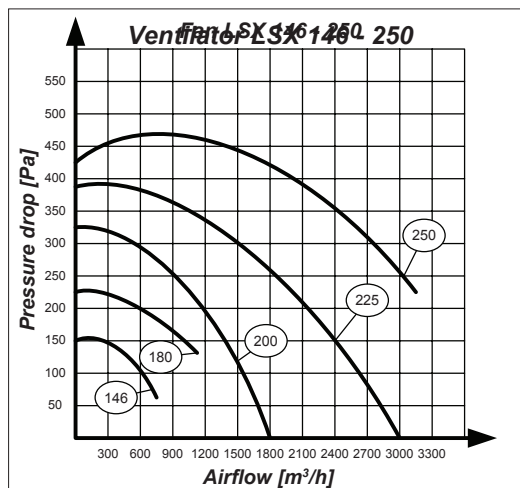
Varenr.	Betegnelse	[kW]	[A]	Max [m <sup>3</sup> /h]	Max[Pa]
37-010NA	LSX-146-3 - Zone 2/22	0,25	0,75	700	160
37-020NA	MSX-146-3 - Zone 2/22	0,55	1,28	900	620
37-030NA	LSX-180-3 - Zone 2/22	0,25	0,75	1080	230
37-040NA	MSX-180-3 - Zone 2/22	0,55	1,28	1670	950
37-050NA	LSX-200-3 - Zone 2/22	0,55	1,44	1500	320
37-060NA	MSX-200-3 - Zone 2/22	1,10	2,42	2100	1450
37-070NA	LSX-225-3 - Zone 2/22	1,50	3,25	3200	450
37-080NA	MSX-225-3 - Zone 2/22	2,20	4,00	2450	1500
37-090NA	LSX-250-3 - Zone 2/22	2,20	4,60	3150	470
37-100NA	MSX-250-3 - Zone 2/22	4,00	7,85	3160	1800

**LSX / MSX – ATEX fan suitable for speed control. Zone 1 – Can be used with frequency inverter**

Varenr.	Betegnelse	[kW]	[A]	Max [m <sup>3</sup> /h]	Max[Pa]
37-010DE	LSX-146-3 - Zone 1	0,25	0,85	700	160
37-020DE	MSX-146-3 - Zone 1	0,55	1,40	900	620
37-030DE	LSX-180-3 - Zone 1	0,25	0,85	1080	230
37-040DE	MSX-180-3 - Zone 1	0,55	1,40	1670	950
37-050DE	LSX-200-3 - Zone 1	0,55	1,60	1500	320
37-060DE	MSX-200-3 - Zone 1	1,10	2,45	2100	1450
37-070DE	LSX-225-3 - Zone 1	1,35	3,54	3200	450
37-080DE	MSX-225-3 - Zone 1	2,20	5,00	2450	1500
37-090DE	LSX-250-3 - Zone 1	2,00	4,20	3150	470
37-100DE	MSX-250-3 - Zone 1	4,00	8,00	3160	1800

\*Ask for price

**Pressure drop LSX/MSX 146 to 250**



**LEX / MEX – ATEX fan with backward curved impeller. Zone 1 – Not to be used with frequency inverter!**

ATEX  
Compliant



Art. No.	Description	[kW]	[A]	Max [m <sup>3</sup> /h]	Max[Pa]
37-510	LEX-250-3	0,25	0,90	700	230
37-520	MEX-250-3	0,37	1,08	1080	1200
37-530	LEX-315-3	0,25	0,90	1450	360
37-540	MEX-315-3	0,75	1,80	2850	1330
37-550	LEX-355-3	0,25	0,90	2250	425
37-560	MEX-355-3	1,85	4,00	4350	1550
37-570	LEX-400-3	0,37	1,08	3500	500
37-580	MEX-400-3	4,10	8,10	6300	2150
37-590	LEX-450-3	0,75	1,90	4700	700
37-591	MEX-450-3	5,50	10,40	9000	2600
37-592	MEX-500-3	7,50	13,70	11400	3350
37-595	LEX-560-3	3,60	8,10	8100	1000
37-593	LEX-630-3	3,60	8,10	8100	1600

Please state required Zone when ordering

**LEX / MEX – ATEX fan with backward curved impeller. Zone 2 – Can be used with frequency**

Art. No.	Description	[kW]	[A]	Max [m <sup>3</sup> /h]	Max[Pa]
37-510NA	LEX-250-3 - Zone 2/22	0,25	0,75	700	230
37-520NA	MEX-250-3 - Zone 2/22	0,37	0,90	1080	1200
37-530NA	LEX-315-3 - Zone 2/22	0,25	0,75	1450	360
37-540NA	MEX-315-3 - Zone 2/22	0,75	1,70	2850	1330
37-550NA	LEX-355-3 - Zone 2/22	0,25	0,75	2250	425
37-560NA	MEX-355-3 - Zone 2/22	1,50	3,20	4350	1550
37-570NA	LEX-400-3 - Zone 2/22	0,37	1,44	3500	500
37-580NA	MEX-400-3 - Zone 2/22	4,00	7,50	6300	2150
37-590NA	LEX-450-3 - Zone 2/22	0,75	1,86	4700	700
37-591NA	MEX-450-3 - Zone 2/22	5,50	9,85	9000	2600
37-592NA	MEX-500-3 - Zone 2/22	7,50	13,40	11400	3350
37-595NA	LEX-560-3 - Zone 2/22	4,00	8,40	8100	1000
37-596NA	MEX-560-3 - Zone 2/22	18,50	31,50	18000	4500
37-593NA	LEX-630-3 - Zone 2/22	4,00	7,85	8.100	1.600

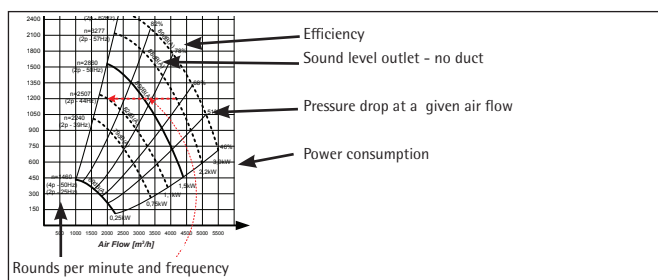
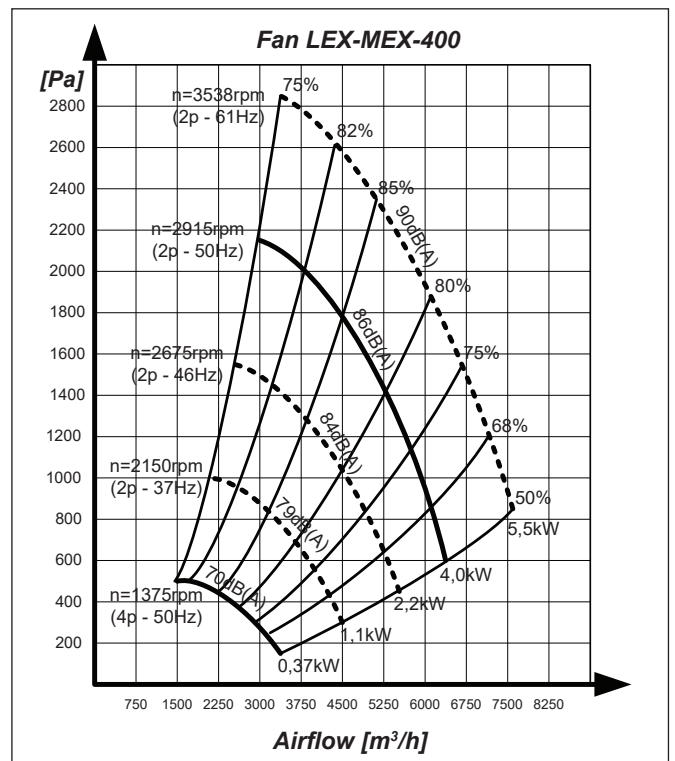
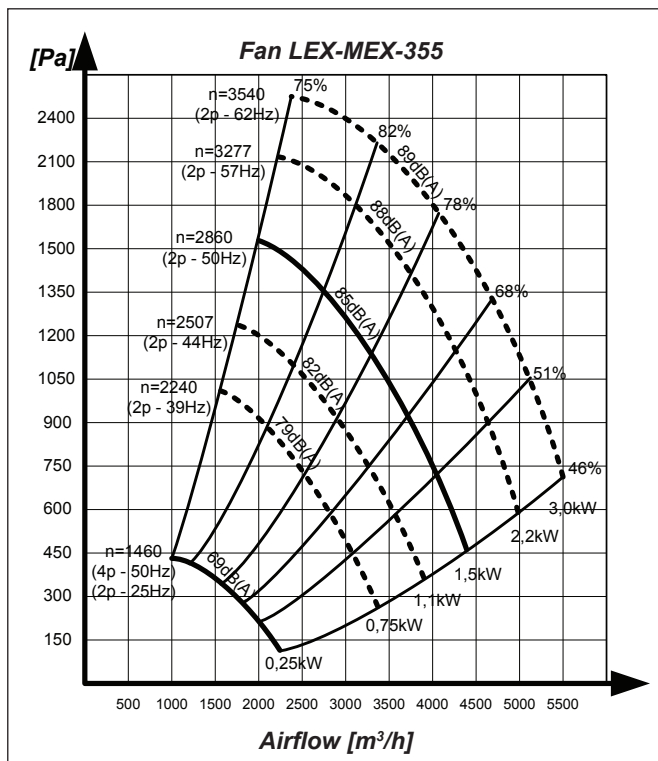
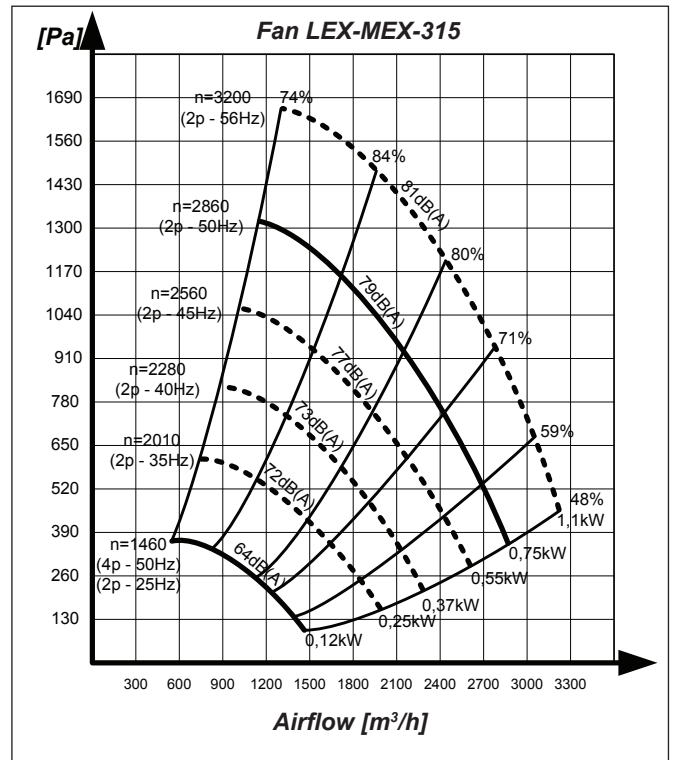
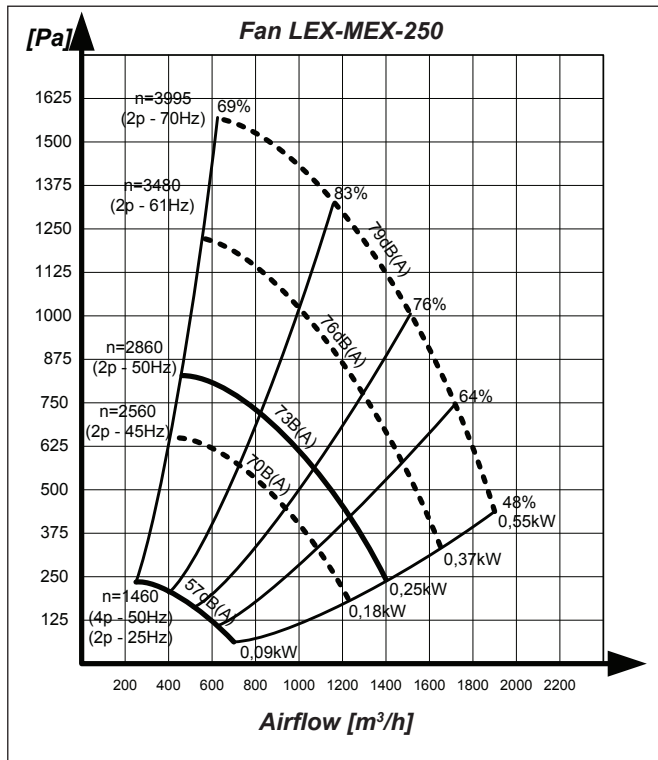
**LEX / MEX – ATEX fan with backward curved impeller. Zone 1 – Can be used with frequency**

Art. No.	Description	[kW]	[A]	Max [m <sup>3</sup> /h]	Max[Pa]
37-510DE	LEX-250-3 - Zone 1	0,25	0,75	700	230
37-520DE	MEX-250-3 - Zone 1	0,37	1,08	1080	1200
37-530DE	LEX-315-3 - Zone 1	0,25	0,90	1450	360
37-540DE	MEX-315-3 - Zone 1	0,75	1,85	2850	1330
37-550DE	LEX-355-3 - Zone 1	0,25	0,90	2250	425
37-560DE	MEX-355-3 - Zone 1	1,50	3,40	4350	1550
37-570DE	LEX-400-3 - Zone 1	0,37	1,60	3500	500
37-580DE	MEX-400-3 - Zone 1	4,00	8,00	6300	2150
37-590DE	LEX-450-3 - Zone 1	0,75	1,90	4700	700
37-591DE	MEX-450-3 - Zone 1	5,50	10,84	9000	2600
37-592DE	MEX-500-3 - Zone 1	7,50	14,30	11400	3350
37-595DE	LEX-560-3 - Zone 1	4,00	8,10	8100	1000
37-596DE	MEX-560-3 - Zone 1	18,50	33,00	18000	4500
37-593DE	LEX-630-3 - Zone 1	4,00	7,85	8100	1600

\*Ask for price



Pressure drop curves for ATEX fan LEX/MEX 250 to 400

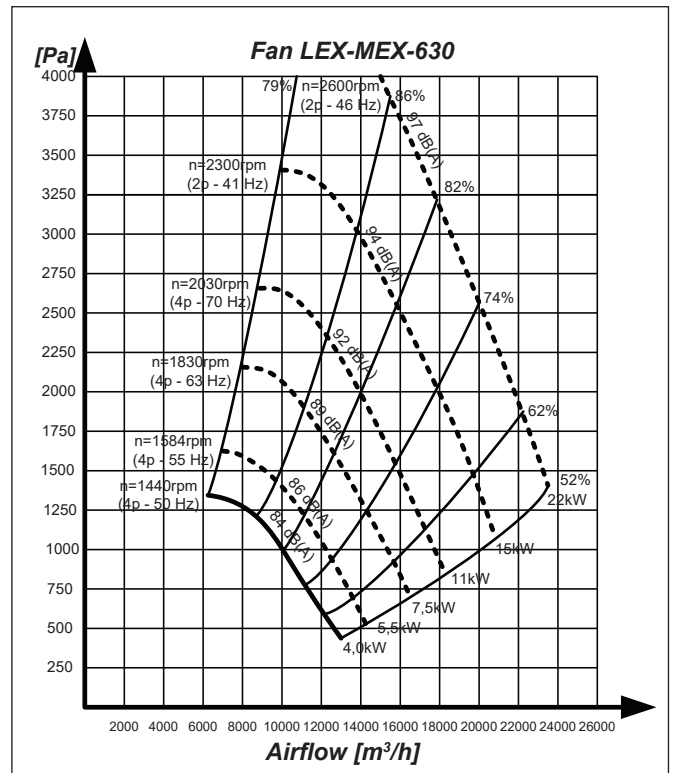
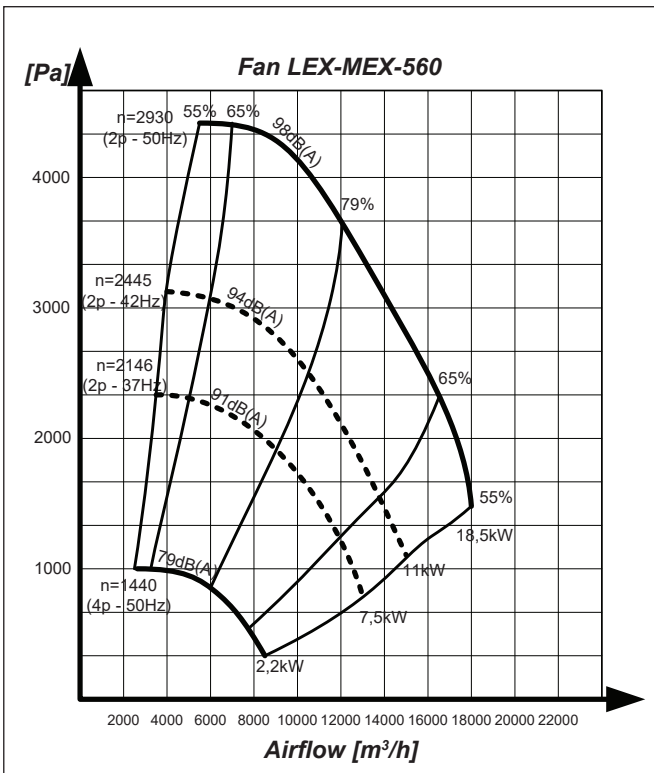
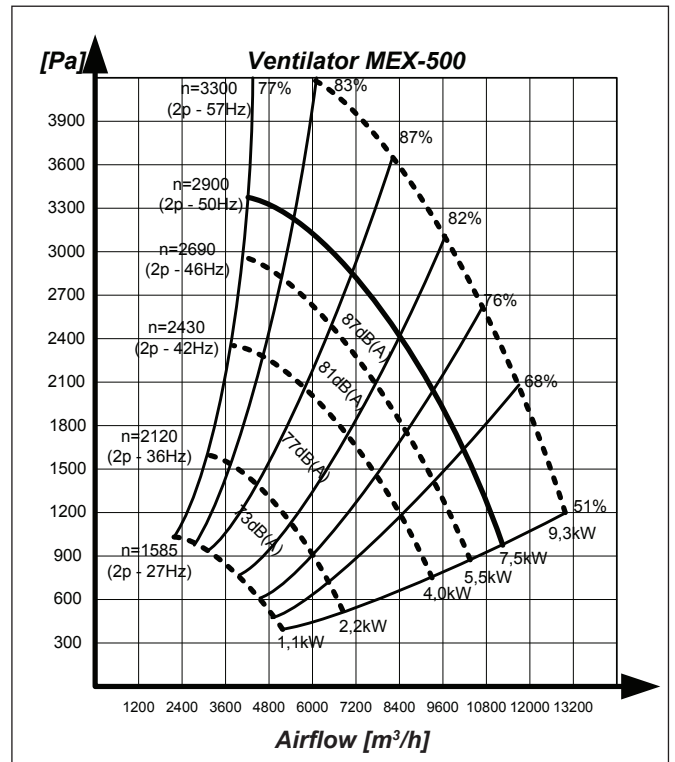
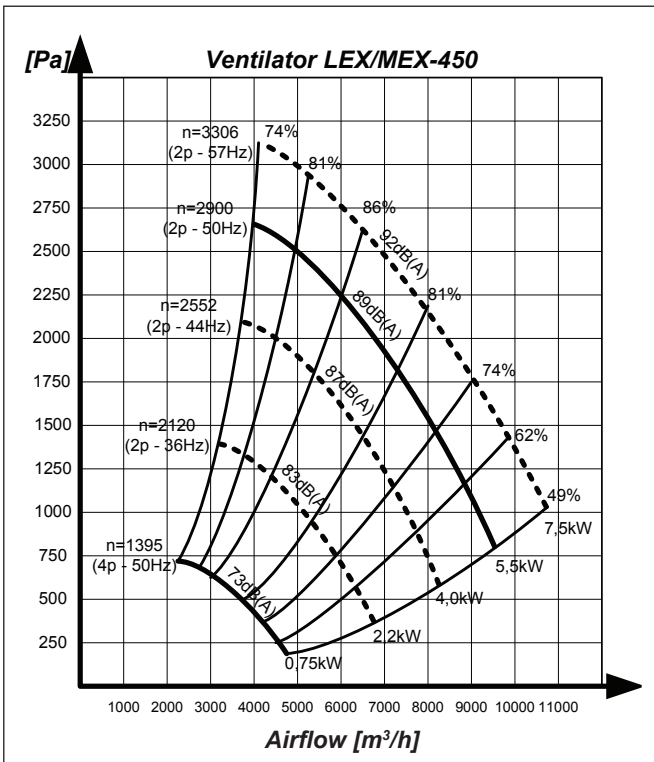


Dashed line = Requires special adjustable motor:

EX II2G Ex de IIC T4

Contact Geovent for further information

Pressure drop curves for ATEX fan LEX/MEX 450 to 630



## Fan MHFX 400 to 500 - With closed B-impeller

### Art. No. Description

37-650	MHFX-400-3 1,1kw 3x400V. Incl. outlet flange - Zone 1.
37-651	MHFX-500-3 4,1kw 3x400V. Incl. outlet flange - Zone 1.

## Plastic fan. with backward curved impeller. Zone 1



Art. No.	Description	[kW]	[A]	Max [m <sup>3</sup> /h]	Max[Pa]
38-103X	MPX-122-1	0,12	0,38	190	210
38-106X	MPX-202-3	0,18	0,50	1.080	470
38-108X	LPX-254-3	0,12	0,54	1.080	160
38-110X	MPX-252-3	0,37	1,00	2.100	750
38-112X	LPX-284-3	0,18	0,64	1.500	240
38-114X	MPX-282-3	0,75	1,80	3.360	1.100
38-116X	LPX-314-3	0,25	1,00	2.100	290
38-118X	MPX-312-3	1,50	3,40	4.260	1.320
38-120X	LPX-354-3	0,37	1,30	3.000	380
38-122X	MPX-352-3	2,20	4,80	6.720	1.700
38-126X	LPX-404-3	0,55	1,50	4.260	520
38-125X	MPX-402-3	4,00	8,40	9.000	2.050
38-134X	LPX-454-3	1,10	2,80	6.000	650
38-128X	MPX-452-3	5,50	11,40	12.000	2.550

## Accessories for frequency inverter operation



### Art. No. Description

19-287	Thermistor relay use between ATEX motor and frequency inverter
--------	--

## GeoFilter GFX2 – ATEX filter for zone 21 and 22



Art. No.	Description	Filter areal	Max m <sup>3</sup> /h
16-450	GeoFilter GFX2-3-1	30 m <sup>2</sup>	1800
16-451	GeoFilter GFX2-6-2	60 m <sup>2</sup>	3600
16-452	GeoFilter GFX2-9-3	90 m <sup>2</sup>	5400
16-453	GeoFilter GFX2-12-4	120 m <sup>2</sup>	7200

Geovent GFX2 filter is used for ATEX processes with explosive dust, making it suitable for dust applications such as aluminum dust, magnesium, flour and more in zone 21 and 22. The filter is 99,9% efficient at 0,3 µm, and is cleaned automatically by using shot valves with compressed air.

The filter is galvanized and is supplied with a 25 l collection bucket.

A GFX2 filter is supplied complete with ATEX control, explosion membrane, spark proof filter cartridges, ATEX shot valves and full ATEX documentation. KST and Pmax values stated at order.

Compressed air	Air consumption	Power supply	Temperature	Typical pressure drop	Sound level	Prtection class
3 - 6 bar clean and dry air*	3,0 liter/min per valve	24V DC or 230 V AC	-12°C - +65°C	1.000-1.500 Pa	<68 dB(A)	Class C

\*Depending on the processes

## HVUX - High vacuum units for ATEX-applications



Geovent high vacuum units (HVU and HVU Lite), are available in ATEX versions for use with dust applications. HVUX and HVUX Lite are designed for a dust filled atmosphere classified as zone 21 or 22.

HVUX og HVUX Lite are tailored to suit your needs. They are available with for example ATEX side channel blower, explosion membrane, police filer (extra protection in case of leak in the primary filter) and customized control with several alarm options.

ATEX Compliant



Rotary valve

We have a range of different emptying systems available for ATEX filters and for our standard filters. Contact us for more information.

## Explosion retention valve

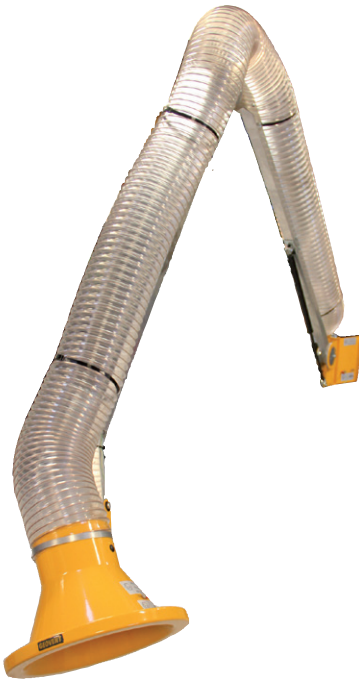


Pressure tested to 2.2 bar and approved according to 2014/34/EU (kst. 200 bar/ms). Can be added to new and existing installations. If an explosion occurs, the damper closes automatically, due to the damper plate weight. Strong steel construction and painted in RAL 5010 (blue). Other RAL colors available upon request.

Art. No.	Description
16-596	Explosion retention valve ø100 mm ST1
16-597	Explosion retention valve ø100 mm ST2
16-598	Explosion retention valve ø125 mm ST1
16-599	Explosion retention valve ø125 mm ST2
16-601	Explosion retention valve ø200 mm ST1
16-602	Explosion retention valve ø250 mm ST1
16-603	Explosion retention valve ø300 mm ST1
16-604	Explosion retention valve ø350 mm ST1
16-605	Explosion retention valve ø400 mm ST1
16-606	Explosion retention valve ø450 mm ST1
16-607	Explosion retention valve ø500 mm ST1
16-608	Explosion retention valve ø550 mm ST1
16-609	Explosion retention valve ø600 mm ST1

## ASX extraction arm with external articulated arm and gas spring

ATEX  
Compliant



Extraction arm for use in explosive atmosphere (ATEX).  
Double grounding (Resistance  $R < 108\Omega$ ) ensures that the arm will not function as ignition. This allows the arm to be used in areas with gas or dust classified as explosive area (ATEX).  
The ASX arms are based on the construction of our ASA arm.

Art. No.	Description
ASX-01	ASX arm 2,0m $\varnothing 80$ mm, complete
ASX-11	ASX arm 3,0m $\varnothing 80$ mm, complete
ASX-21	ASX arm 4,0m $\varnothing 80$ mm, complete

ASX-02	ASX arm 2,0m $\varnothing 100$ mm, complete
ASX-12	ASX arm 3,0m $\varnothing 100$ mm, complete
ASX-22	ASX arm 4,0m $\varnothing 100$ mm complete

ASX-03	ASX arm 2,0m $\varnothing 125$ mm, complete
ASX-13	ASX arm 3,0m $\varnothing 125$ mm, complete
ASX-23	ASX arm 4,0m $\varnothing 125$ mm, complete

ASX-04	ASX arm 2,0m $\varnothing 160$ mm, complete
ASX-14	ASX arm 3,0m $\varnothing 160$ mm, complete
ASX-24	ASX arm 4,0m $\varnothing 160$ mm, complete

ASX-31	ASX arm 2,0m $\varnothing 200$ mm, complete
ASX-33	ASX arm 3,0m $\varnothing 200$ mm, complete
ASX-35	ASX arm 4,0m $\varnothing 200$ mm, complete



12-005	Tight damper for hood - $\varnothing 80$ mm
12-006	Tight damper for hood - $\varnothing 100$ mm
12-012	Tight damper for hood - $\varnothing 125$ mm
12-008	Tight damper for hood - $\varnothing 160$ mm
12-009	Tight damper for hood - $\varnothing 200$ mm

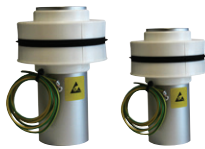
## ASX stainless extraction arm with external articulated arm and gas spring



Stainless Extraction arm for use in explosive atmosphere (ATEX).

Art. No.	Description
ASX-RF-01	ATEX ASX arm 2 m $\varnothing 80$ stainless
ASX-RF-02	ATEX ASX arm 2 m $\varnothing 100$ stainless
ASX-RF-03	ATEX ASX arm 2 m $\varnothing 125$ stainless
ASX-RF-04	ATEX ASX arm 2 m $\varnothing 160$ stainless
ASX-RF-31	ATEX ASX arm 2 m $\varnothing 200$ stainless
ASX-RF-12	ATEX ASX arm 3 m $\varnothing 100$ stainless
ASX-RF-13	ATEX ASX arm 3 m $\varnothing 125$ stainless
ASX-RF-14	ATEX ASX arm 3 m $\varnothing 160$ stainless
ASX-RF-33	ATEX ASX arm 3 m $\varnothing 200$ stainless

## PERMA arm, base/mounting bracket - ATEX/ESD



Art. No	Description
10-365	Base for wall/ceiling L:150 mm, ATEX/ESD, $\varnothing$ 57 mm, connection to $\varnothing$ 100 mm duct
10-465	Base for wall/ceiling L:150 mm, ATEX/ESD, $\varnothing$ 76 mm, connection to $\varnothing$ 100 mm duct
10-365B	Table bracket mounted directly in table, ATEX/ESD, $\varnothing$ 57 mm, hole in the table $\varnothing$ 71 mm and connection $\varnothing$ 63 mm NP. Pipe length: 260 mm
10-465B	Table bracket mounted directly in table, ATEX/ESD, $\varnothing$ 76 mm, hole in the table $\varnothing$ 88 mm and connection $\varnothing$ 80 mm NP. Pipe length: 260 mm
10-365C	Table bracket, ATEX/ESD, $\varnothing$ 57 mm, attached to the table edge and connection $\varnothing$ 63 mm, NP - Pipe length: 260 mm
10-465C	Table bracket, ATEX/ESD, $\varnothing$ 76 mm, attached to the table edge and connection $\varnothing$ 80 mm, NP - Pipe length: 260 mm

## PERMA arm $\varnothing$ 57 mm, self-supporting arm, 2 or 3 joints, ATEX/ESD - Only available in black



Art. No.	Description
10-350*	PERMA arm, L: 380 mm 2 joints, ATEX/ESD, $\varnothing$ 57 mm
10-351*	PERMA arm, L: 480 mm 2 joints, ATEX/ESD, $\varnothing$ 57 mm
10-352*	PERMA arm, L: 580 mm 2 joints, ATEX/ESD, $\varnothing$ 57 mm
10-353*	PERMA arm, L: 750 mm 3 joints, ATEX/ESD, $\varnothing$ 57 mm
10-354*	PERMA arm, L: 950 mm 3 joints, ATEX/ESD, $\varnothing$ 57 mm
10-355*	PERMA arm, L: 1150 mm 3 joints, ATEX/ESD, $\varnothing$ 57 mm
10-356*	PERMA arm, L: 1250 mm 3 joints, ATEX/ESD, $\varnothing$ 57 mm
10-357*	PERMA arm, L: 1350 mm 3 joints, ATEX/ESD, $\varnothing$ 57 mm
10-358*	PERMA arm, L: 1420 mm 3 joints, ATEX/ESD, $\varnothing$ 57 mm
10-359*	PERMA arm, L: 1490 mm 3 joints, ATEX/ESD, $\varnothing$ 57 mm

All PERMA arms are incl. damper.

\* The PERMA arms are available in 2 versions with black joints for table mounting or ceiling/wall mounting (B/L)  
Therefore, an extension to the Art. No. added: L = Ceiling/wall B = Table.

## PERMA arm $\varnothing$ 76 mm, self-supporting arm, 2 or 3 joints, ATEX/ESD - Only available in black



Art. No.	Description
10-450*	PERMA arm, L: 380 mm 2 joints, ATEX/ESD, $\varnothing$ 76 mm
10-451*	PERMA arm, L: 480 mm 2 joints, ATEX/ESD, $\varnothing$ 76 mm
10-452*	PERMA arm, L: 580 mm 2 joints, ATEX/ESD, $\varnothing$ 76 mm
10-453*	PERMA arm, L: 750 mm 3 joints, ATEX/ESD, $\varnothing$ 76 mm
10-454*	PERMA arm, L: 950 mm 3 joints, ATEX/ESD, $\varnothing$ 76 mm
10-455*	PERMA arm, L: 1150 mm 3 joints, ATEX/ESD, $\varnothing$ 76 mm
10-456*	PERMA arm, L: 1250 mm 3 joints, ATEX/ESD, $\varnothing$ 76 mm
10-457*	PERMA arm, L: 1350 mm 3 joints, ATEX/ESD, $\varnothing$ 76 mm
10-458*	PERMA arm, L: 1420 mm 3 joints, ATEX/ESD, $\varnothing$ 76 mm
10-459*	PERMA arm, L: 1490 mm 3 joints, ATEX/ESD, $\varnothing$ 76 mm

All PERMA arms are incl. damper.

\* The PERMA arms are available in 2 versions with black joints for table mounting or ceiling/wall mounting (B/L)  
Therefore, an extension to the Art. No. added: L = Ceiling/wall B = Table.

The arms can be mounted directly in spiral duct, REMEMBER grounding.

## Extraction hoods and suction pen ATEX/ESD



Art. No.	Description
10-366	Aluminum hood conical, $\varnothing$ 150 mm, ATEX/ESD, $\varnothing$ 57 mm
10-466	Aluminum hood conical, $\varnothing$ 150 mm, ATEX/ESD, $\varnothing$ 76 mm
10-374	Dome hood $\varnothing$ 380 mm, painted polycarbonate, ATEX/ESD, $\varnothing$ 57 mm
10-470	Dome hood $\varnothing$ 380 mm, painted polycarbonate, ATEX/ESD, $\varnothing$ 76 mm
10-374A	Dome hood $\varnothing$ 280 mm, painted polycarbonate, ATEX/ESD, $\varnothing$ 57 mm
10-470A	Dome hood $\varnothing$ 280 mm, painted polycarbonate, ATEX/ESD, $\varnothing$ 76 mm
10-375	Conical hood, $\varnothing$ 250 mm, painted polycarbonate, ATEX/ESD, $\varnothing$ 57 mm
10-471	Conical hood, $\varnothing$ 250 mm, painted polycarbonate, ATEX/ESD, $\varnothing$ 76 mm
10-376	Hood conical, $\varnothing$ 250 mm with flextube 300 mm, painted polycarbonate, ATEX/ESD, $\varnothing$ 57 mm
10-472	Hood conical, $\varnothing$ 250 mm with flextube 300 mm, painted polycarbonate, ATEX/ESD, $\varnothing$ 76 mm
10-377	Hood conical, straight edge, $\varnothing$ 250 mm, painted polycarbonate, ATEX/ESD, $\varnothing$ 57 mm
10-473	Hood conical, straight edge, $\varnothing$ 250 mm, painted polycarbonate, ESD, $\varnothing$ 76
10-378	Hood conical, $\varnothing$ 250 mm, with straight edge and flextube 300 mm, painted polycarbonat, ATEX/ESD, $\varnothing$ 57 mm
10-474	Hood conical, $\varnothing$ 250 mm, with straight edge and flextube 300 mm, painted polycarbonat, ATEX/ESD, $\varnothing$ 76 mm
10-382	Hood oval 140x180 mm, painted polycarbonate, ATEX/ESD, $\varnothing$ 57 mm
10-380	Flat screen 340x250 mm, painted polycarbonate, ATEX/ESD, $\varnothing$ 57 mm
10-475	Flat screen 340x250 mm, painted polycarbonate, ATEX/ESD, $\varnothing$ 76 mm
Tube 180 mm connecting the hood with the arm is included	
10-367	Suction pen alu, L: 250 mm, ATEX/ESD, $\varnothing$ 57 mm
10-467	Suction pen alu, L: 250 mm, ATEX/ESD, $\varnothing$ 76 mm
10-368	Suction pen alu, L: 350 mm, ATEX/ESD, $\varnothing$ 57 mm
10-468	Suction pen alu, L: 350 mm, ATEX/ESD, $\varnothing$ 76 mm
10-367A	Suction pen alu, L: 250 mm, with lip, ATEX/ESD, $\varnothing$ 57 mm
10-467A	Suction pen alu, L: 250 mm, with lip, ATEX/ESD, $\varnothing$ 76 mm
10-368A	Suction pen alu, L: 350 mm, with lip, ATEX/ESD $\varnothing$ 57 mm
10-468A	Suction pen alu, L: 350 mm, with lip, ATEX/ESD, $\varnothing$ 76 mm
10-369	Suction pen alu, L: 150 mm with flextube L: 300 mm, ATEX/ESD, $\varnothing$ 57 mm
10-469	Suction pen alu, L: 150 mm with flextube L: 300 mm, ATEX/ESD, $\varnothing$ 76 mm
10-369A	Suction pen alu, with lip, L: 150 with flextube L: 300 mm, ATEX/ESD, $\varnothing$ 57 mm
10-469A	Suction pen alu, with lip, L: 150 with flextube L: 300 mm, ATEX/ESD, $\varnothing$ 76 mm
10-370A	Suction pen alu, L: 150 mm with flextube L: 600 mm and damper, ATEX/ESD, $\varnothing$ 57 mm
10-371A	Suction pen alu, L: 150 mm with flextube L: 900 mm and damper, ATEX/ESD, $\varnothing$ 57 mm

# WORKPLACE DESIGN



Geovent delivers customized welding booths, welding walls/shielding and noise damping for welding stations. It can be simple walls of different types of sheets provided with curtains or more advanced walls with roof and a center column for the transfer of gases, electricity and ventilation.

If noise reduction is required, the cabinets are delivered in a modular, sandwich panel system with smooth or perforated outer- and inner panels and Rockwool in between. (Fiber cloth retains the Rockwool)

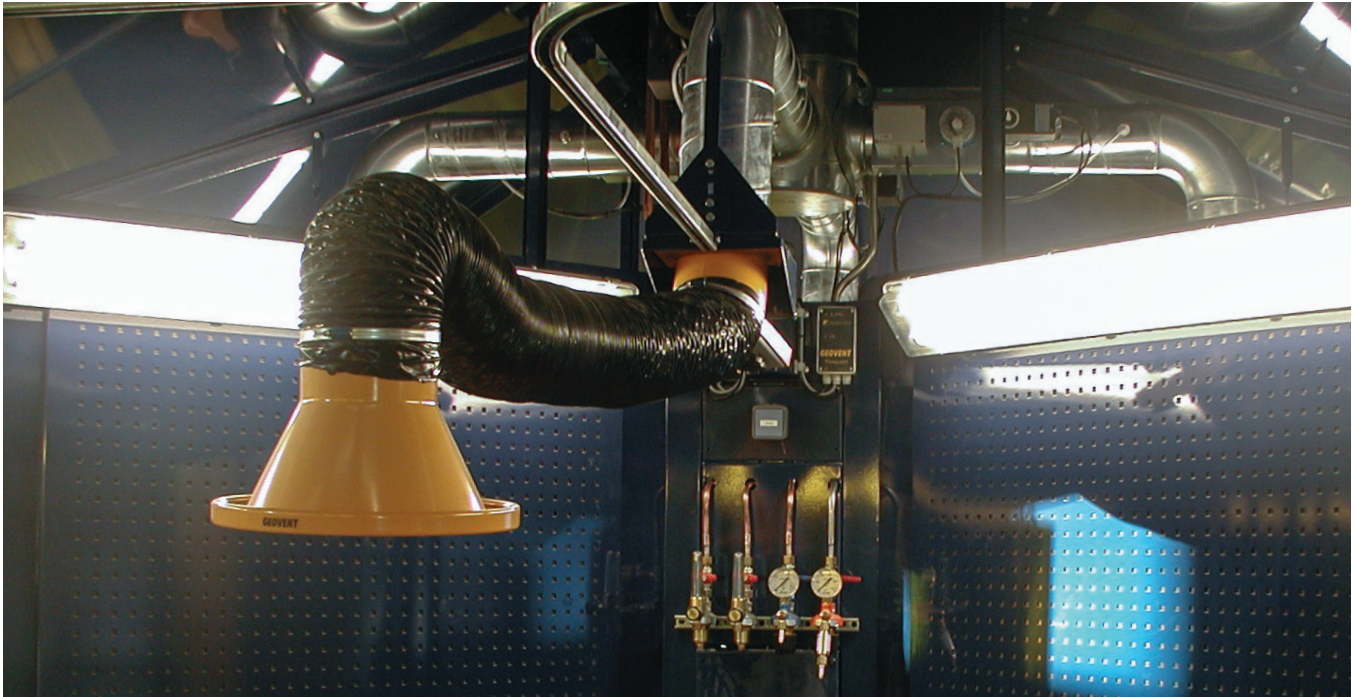
The panels are available in several sizes and designs and they are used for encapsulation of noisy machines, firewalls, paint booths, office rooms and for welding and grinding booths in industry or technical schools.

Contact Geovent for information on prices and options.



Complete construction of technical school with welding cabins and welding station.





Examples of welding booths from Geovent. Custom center column with various outlets for gas, power and extraction.

Sound/ welding cabins are used for many purposes. The primary is to define the work area, while co-workers are protected from light and noise. The cabins are always custom made and designed for the specific job.

We have extensive experience from previous projects, so use us as a competent partner for your next project.



## Welding booths

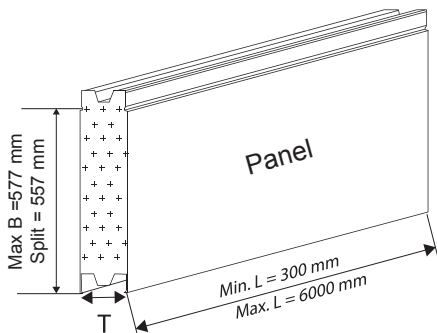


Art. No.	Description
Panel Outside/Inside	
01-303	Geo-Dan 30 Perf/Perf, 50 mm, pr. m <sup>2</sup>
01-304	Geo-Dan 60 Perf/Perf, 100 mm, pr. m <sup>2</sup>
01-305	Geo-Dan 30 PO/PO, 50 mm, pr. m <sup>2</sup>
01-306	Geo-Dan 60 PO/PO, 100 mm, pr. m <sup>2</sup>
01-307	Geo-Dan 30 PO/Perf, 50 mm, pr. m <sup>2</sup>
01-308	Geo-Dan 60 PO/Perf, 100 mm, pr. m <sup>2</sup>

U-rail for panel assembly	
01-309	U-rail, PO 50 mm, per meter
01-310	U-rail, PO 100 mm, per meter

Use one U-rail all the way around each wall (standard sizes)

## Panels for welding booths and noise damping



Geo-Dan sandwich built elements with 0,6 mm galvanised and powder coated steel sheet metal on both sides. The panels have a mineral wool core. Thicknesses: 50 and 100 mm with smooth powder coated (PO) or perforated, powder coated sheet metal. (Perf). Geo-Dan are assembled with snap lock and sealing. The panels are approved for use as fire wall according to Danish standards.

Silver (RAL 9006) by default but available in other RAL colours.



	Thickness	Heat loss	Width	Weight
Geo-Dan 30	50 mm	0,67 W/m <sup>2</sup>	557 mm	19,0 kg/m <sup>2</sup>
Geo-Dan 60	100 mm	0,34 W/m <sup>2</sup>	557 mm	26,1 kg/m <sup>2</sup>

The holes, is by standard, 1/3 part of the plate.



Panels outside/inside	Noise reduction in dB(A) ± 3							
	Hz	63	125	250	500	1000	2000	4000
Geo-Dan 30 PO/PO	dB(A)	21	25	29	32	36	38	42
Geo-Dan 60 PO/PO	dB(A)	28	30	32	36	39	44	49
Geo-Dan 30 PO/Perf	dB(A)	17	20	20	24	25	27	32
Geo-Dan 60 PO/Perf	dB(A)	23	22	22	29	29	32	39

## Accessories for welding booths

- Extra insulation to avoid thermal bridges.
- U-rails for combining several panels.
- V-rails inside and outside for extra finish.
- Windows and doors.
- Curtain and rails and more.

Please enquire for more information on drawings, prices and special requests.

## Welding curtain (translucent)



By default the curtain is green. Other colours on request.  
Standard sizes shown, special sizes on request. Soft but tough quality.

Art. No.	Description
01-320	Welding curtain 180 x 130 cm
01-322	Welding curtain 180 x 180 cm
01-328	Velcro connection 180 cm
01-325	Other sizes – per m <sup>2</sup> . min. 10 m <sup>2</sup> per curtain. Add 10% for horizontally

## Brackets and suspension



Art. No.	Description
01-340	C-rail 42x50 mm Lengths of 7m
07-828	Connector w. grub screws for 2 lengths of C-rail 42x50 mm
01-342	Arch 600 mm 42x50 mm profile
01-343	Curtain roller with hook for C-profile 42x50 mm
01-345	Rail stop
01-350A	Wall bracket for 42x50 C-profile
07-817	Ceiling bracket w. adjustment tread. Bolt M12x60 mm. Use with 01-351
01-351	Wall bracket for wall mounting

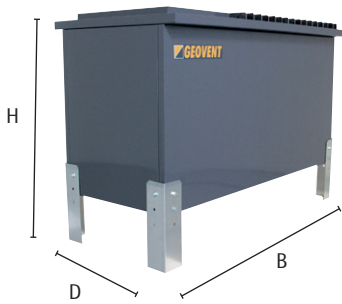
### Mounting of pipes

01-335	S-hook, galvanized 4,2x45 mm
01-335A	Curtain hook (drop shaped). Ø42 mm, l=72 mm



01-354	Welding curtain stand 200 x 180 cm. Curtain included
01-354A	Welding curtain stand 200 x 340 cm. Curtain included

## Welding table - down draft



Art. No.	Description
02-001	Welding table - 600x600x800 mm (WxDxH) Air flow needed: ca. 1.500m <sup>3</sup> /h - connector: ø200 mm
02-002	Welding table - 900x600x800 mm (WxDxH) Air flow needed: ca. 2.000m <sup>3</sup> /h - connector: ø200 mm
02-003	Welding table - 1.200x600x800 mm (WxDxH) Air flow needed: ca. 2.500m <sup>3</sup> /h - connector: ø250 mm
02-005	Welding table - 1.800x1.000x800 mm (WxDxH) Air flow needed: ca. 6.000m <sup>3</sup> /h - connector: ø315 mm
02-006	Welding table - 2.500x800x800 mm (WxDxH) Air flow needed: ca. 6.500m <sup>3</sup> /h - connector: 2xø315 mm (in both ends of the table)

Welding- and grinding tables can be specially designed. Contact us for more details.

## Backdraft extraction



Art. No.	Description
02-030	Backdraft extraction - 900x185x750 mm (WxDxH) Air flow needed: app. 1.000 - 1.500 m <sup>3</sup> /h - connector: ø200 mm with collection drawer
02-037	Corner console for Backdraft extraction
02-039	Bracket for mounting backdraft extraction on welding table (set of 4 pcs.)
02-043	Side- and backdraft panel for welding table 1.800x1.000x800 mm



02-043 Side- and backdraft panel



## Smoking cabin



Smoking cabin specially designed for use offshore and on board ships. Withstands vibrations. With EC-fans and push/pull-system. The air is filtered 99,9% through EU5, activated carbon and Hepa filters, and is recirculated. Light and fan activated using sensor.  
Capacity: 350m<sup>3</sup>/h, 1x230V 50Hz, Consumption: 175W/1,3A, 45dB(A), HxWxD: 2000x1200x1000mm

Art. No.	Description
02-100	Smoking cabin
15-499	Pre-filter for smoking cabin
15-500	Hepa filter 610-305
15-501	Activated carbon filter H13 1500

## Spray booth



Spray booth, B = 1400 mm

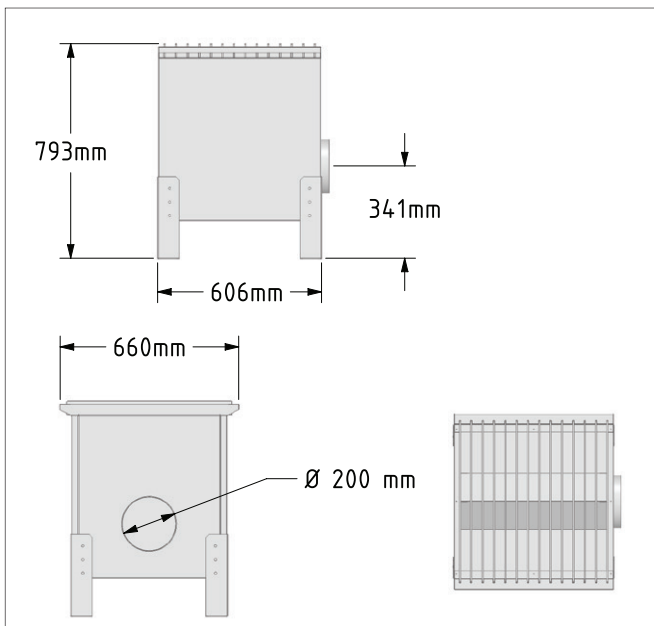
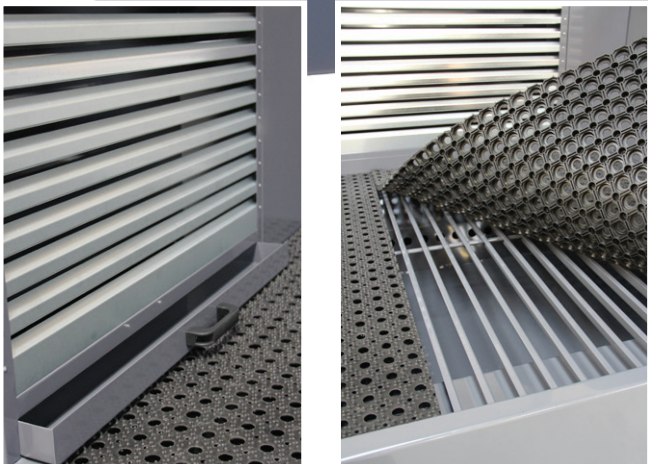
Art. No.	Description
Spray booth for smaller items. With light, Andraee-filter, wheels and drip tray. Galvanized. Airflow from 2.000 m <sup>3</sup> /h. 230V. H: 2035 mm D: 1000 mm	
01-800	Spray booth, W:1.000 mm - 2.000 m <sup>3</sup> /h. Connector ø250 mm.
01-801	Spray booth, W:1.400 mm - 2.800 m <sup>3</sup> /h. Connector ø250 mm.
01-802	Spray booth, W:1.800 mm - 3.600 m <sup>3</sup> /h. Connector 2 x ø200 mm.
15-040	Andraee-filter ECO EF 813. Price per M <sup>2</sup>

# WELDING TABLE



Customized table

Geovent solves many customer specified requests. In the pictures on the left, you see a grinding table with rubber mats. Table size above is 2.5 x 1.25 m with vacuum in table/ rear a particle trap.



02-001 Welding table



Above, standard table. Lamels are easy to move or changed if needed. Rubber mat can be order.

# GRTU ROOF TOP UNIT



GRTU Roof top ventilation units with heat recovery are designed for comfort ventilation in repair shops, warehouses and production facilities.

GRTU uses energy efficient EC fans with B-impellers. The fans comply with the latest requirements. Both fans are 100% stepless so you can achieve the desired airflow for your application.

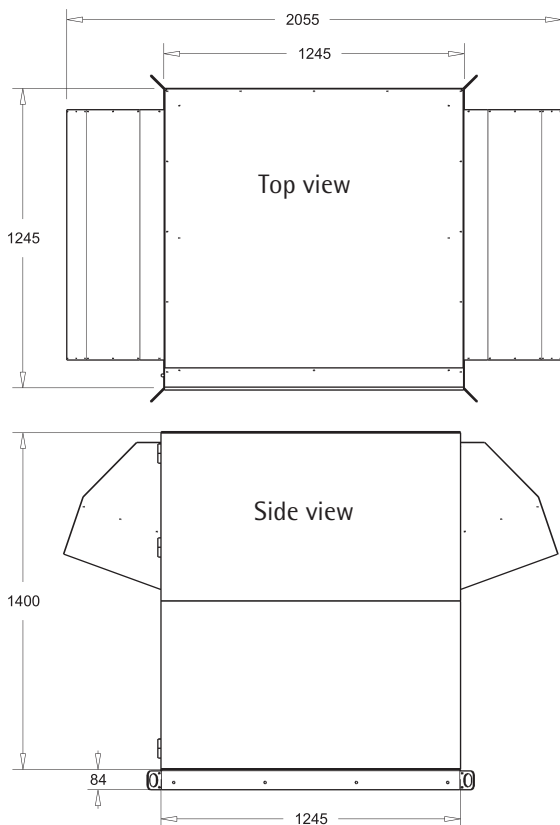
GRTU is a flexible and economically attractive solution as the roof mounting eliminates the need for ductwork.



The GRTU roof top unit is fitted with a high quality control system and can be operated by either hand terminal or computer (LAN).



Dimensions GRTU



### Flexibility without compromising on quality

The Geovent GRTU Roof Top Unit ensures steady and stable operation, as it is designed using only selected quality components.

The rotary heat exchanger has a large area for optimum performance.

The entire construction is galvanized and sealed in all joints.

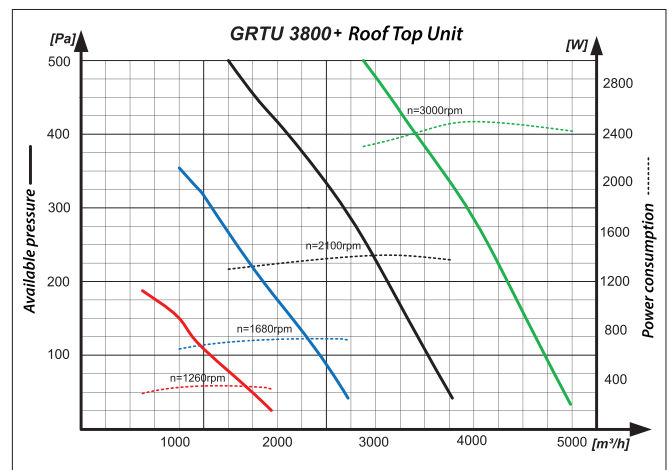
The GRTU is modular and with hatched doors for easy inspection and service.

The mounting frame makes it easy to install the unit on both a flat and a sloped roof.

The GRTU 3800+ can also be mounted indoors if required. (Must be specified when ordering.)

Extraction and air supply is in the bottom of the unit.

Choose between duct solution or diffuser solution. Normally we recommend the duct solution as it gives a better mixing of the air.



Unit weight 400 kg.

## GRTU roof top unit with heat recovery

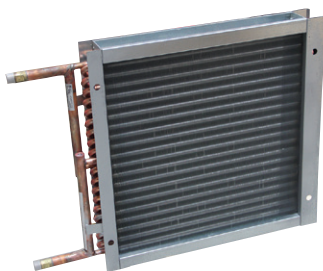


Art. No.	Description
02-602A	GRTU 3800+ standard edition. Rotor heat exchanger, 0-4.500 m <sup>3</sup> /h, pressure controlled EC-fans and digital auto-matics with operating panel. Galvanized construction, EU7 panel filters and 50 mm insulation. Up to 84% efficiency on rotor.

## Accessories for GRTU



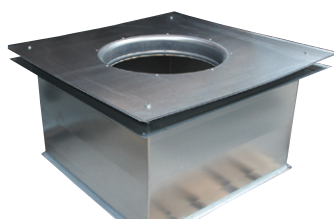
Art. No.	Description
02-703	Shut-off damper without motor. Used in air intake and outlet and as recirculation damper
02-710	Motor for damper



02-711	Heating coil. 10kW 70/40 Used where only ventilation is needed. Without duct connection. Measures: 600x600 mm. For duct mounting
02-713	Heating coil. 25kW 70/40 Used where heating and recirculation is needed. Without duct connection. Measures: 600x600 mm. For duct mounting
17-267	Heating coil AVS 500. 19kW 60/40 Used where heating and recirculation is needed. With duct connection. Measures: 599x730 mm. For duct mounting



02-712	2 way valve R210 + motor TR24 SR Suitable for 10kW heating coil
02-714	2 way valve R212 + motor TR24 SR Suitable for 25kW heating coil
02-704	Temperature sensor/Frost protection. Used with heating coil 10 and 25kW.
02-705	Room sensor. Use when heating

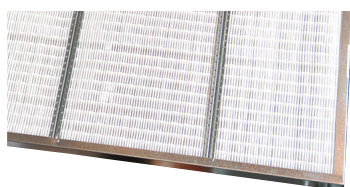


02-715	Diffusor set Reduction piece, flex hose ø500 mm with clamps and diffusor mounted on 800x800 mm rectangular duct
--------	--



02-721	Hand terminal HMI for GRTU Exclusive design with colour display and touch
--------	--

02-761	Extension duct 800x800x500 mm
02-762	Extension duct 800x800x1000 mm
09-017A	Flex hose ø500 mm, per m.



02-717	Cassette filter EU7 Set of 2 pcs.
--------	--------------------------------------



GeoFlex Exhaust (170°C - briefly 200°C)

EPDM / PP plastic coil



Use: Extraction of exhaust fumes and welding smoke.  
(May be run over to a certain extent)

Art. No.	Description	Weight	Bend
09-075A	GeoFlex Exhaust ø76 – 5 m pcs.	2,7 kg	73 mm
09-075B	GeoFlex Exhaust ø76 – 7,5 m pcs.	4,1 kg	73 mm
09-075C	GeoFlex Exhaust ø76 – 10 m pcs.	5,4 kg	73 mm
09-075D	GeoFlex Exhaust ø76 – 15 m pcs.	8,2 kg	73 mm
09-076A	GeoFlex Exhaust ø102 – 5 m pcs.	3,6 kg	71 mm
09-076B	GeoFlex Exhaust ø102 – 7,5 m pcs.	5,3 kg	71 mm
09-076C	GeoFlex Exhaust ø102 – 10 m pcs.	7,2 kg	71 mm
09-076D	GeoFlex Exhaust ø102 – 15 m pcs.	10,6 kg	71 mm
09-077A	GeoFlex Exhaust ø127 – 5 m pcs.	4,4 kg	89 mm
09-077B	GeoFlex Exhaust ø127 – 7,5 m pcs.	6,5 kg	89 mm
09-077C	GeoFlex Exhaust ø127 – 10 m pcs.	8,8 kg	89 mm
09-077D	GeoFlex Exhaust ø127 – 15 m pcs.	13,0 kg	89 mm
09-078A	GeoFlex Exhaust ø152 – 5 m pcs.	5,2 kg	106 mm
09-078B	GeoFlex Exhaust ø152 – 7,5 m pcs.	7,8 kg	106 mm
09-078C	GeoFlex Exhaust ø152 – 10 m pcs.	10,4 kg	106 mm
09-078D	GeoFlex Exhaust ø152 – 15 m pcs.	15,6 kg	106 mm
09-079A	GeoFlex Exhaust ø200 – 5 m pcs.	6,9 kg	143 mm
09-079B	GeoFlex Exhaust ø200 – 7,5 m pcs.	10,3 kg	143 mm
09-079C	GeoFlex Exhaust ø200 – 10 m pcs.	13,8 kg	143 mm
09-079D	GeoFlex Exhaust ø200 – 15 m pcs.	20,6 kg	143 mm

(May be run over to a certain extent)

GeoFlex Exhaust 220 (op til 220°C)

TPE w/steel coil



Use: Extraction of exhaust fumes and welding smoke.  
It is not crushproof.

Art. No.	Description	Weight	Bend
09-095A	GeoFlex Exhaust-220 ø76 mm x 5 meters pcs	2,4 kg	55 mm
09-095B	GeoFlex Exhaust-220 ø76 mm x 7,5 meters pcs	3,6 kg	55 mm
09-095C	GeoFlex Exhaust-220 ø76 mm x 10 meters pcs	4,8 kg	55 mm
09-095D	GeoFlex Exhaust-220 ø76 mm x 15 meters pcs	7,2 kg	55 mm
09-096A	GeoFlex Exhaust-220 ø102 mm x 5 meters pcs	3,3 kg	45 mm
09-096B	GeoFlex Exhaust-220 ø102 mm x 7,5 meters pcs	4,9 kg	45 mm
09-096C	GeoFlex Exhaust-220 ø102 mm x 10 meters pcs	6,6 kg	45 mm
09-096D	GeoFlex Exhaust-220 ø102 mm x 15 meters pcs	9,9 kg	45 mm
09-097A	GeoFlex Exhaust-220 ø127 mm x 5 meters pcs	4,5 kg	65 mm
09-097B	GeoFlex Exhaust-220 ø127 mm x 7,5 meters pcs	6,7 kg	65 mm
09-097C	GeoFlex Exhaust-220 ø127 mm x 10 meters pcs	9 kg	65 mm
09-097D	GeoFlex Exhaust-220 ø127 mm x 15 meters pcs	13,5 kg	65 mm
09-098A	GeoFlex Exhaust-220 ø152 mm x 5 meters pcs	5,75 kg	85 mm
09-098B	GeoFlex Exhaust-220 ø152 mm x 7,5 meters pcs	8,6 kg	85 mm
09-098C	GeoFlex Exhaust-220 ø152 mm x 10 meters pcs	11,5 kg	85 mm
09-098D	GeoFlex Exhaust-220 ø152 mm x 15 meters pcs	17,2 kg	85 mm
09-099A	GeoFlex Exhaust-220 ø200 mm x 5 meters pcs	7,6 kg	125 mm
09-099B	GeoFlex Exhaust-220 ø200 mm x 7,5 meters pcs	11,4 kg	125 mm
09-099C	GeoFlex Exhaust-220 ø200 mm x 10 meters pcs	15,2 kg	125 mm
09-099D	GeoFlex Exhaust-220 ø200 mm x 15 meters pcs	22,8 kg	125 mm

As standard it is delivered in black/black, but by request it can be delivered in black/yellow, black/blue, black/green or black/red, minimum buy is 30 meter. Expect a delivery time of 4 weeks.

**GeoFlex Kevlar HT (-60°C to +260°C - briefly 300°C)**

**Kevlar Silicone w/galv. steel coil**



Use:  
Extraction of hot vapours,  
exhaust or dust

Art. No.	Description	Weight	Bend
09-190	GeoFlex Kevlar ø83, per meter	0,95 kg/m	34 mm
09-191	GeoFlex Kevlar ø102, per meter	0,86 kg/m	40 mm
09-192	GeoFlex Kevlar ø127, per meter	1,07 kg/m	48 mm
09-193	GeoFlex Kevlar ø152, per meter	0,83 kg/m	55 mm
09-194	GeoFlex Kevlar ø160, per meter	0,89 kg/m	58 mm
09-195	GeoFlex Kevlar ø203, per meter	1,1 kg/m	70 mm
09-196	GeoFlex Kevlar ø254, per meter	1,4 kg/m	86 mm
09-197	GeoFlex Kevlar ø305, per meter	1,67 kg/m	102 mm

(Kevlar-reinforced 300° hose - lengths of 1 to 10 m)

**GeoFlex Exhaust HT-450 (-60°C to +450°C - briefly 500°C)**

**Silicone coated fiber glas w/galv. profile**



Use:  
Extraction of hot vapours,  
exhaust or dust

Art. No.	Description	Weight	Bend
09-130	GeoFlex Exhaust HT-450 ø102, per meter	1,29 kg/m	51 mm
09-131	GeoFlex Exhaust HT-450 ø127, per meter	1,60 kg/m	61 mm
09-132	GeoFlex Exhaust HT-450 ø152, per meter	1,34 kg/m	38 mm
09-133	GeoFlex Exhaust HT-450 ø160, per meter	1,46 kg/m	40 mm
09-134	GeoFlex Exhaust HT-450 ø203, per meter	1,81 kg/m	48 mm

Available in lengths of 1 to 10 m

**GeoFlex Exhaust HT-650 (-60°C to +600°C - briefly 700°C)**

**Special high temp-weave/stainless coil**



Use:  
Extraction of hot vapours,  
exhaust or dust

Art. No.	Description	Weight	Bend
09-159	GeoFlex Exhaust HT-650 ø102, per meter	2,1 kg/m	53 mm
09-161	GeoFlex Exhaust HT-650 ø127, per meter	2,6 kg/m	63 mm
09-163	GeoFlex Exhaust HT-650 ø152, per meter	2,11 kg/m	73 mm
09-164	GeoFlex Exhaust HT-650 ø160, per meter	2,25 kg/m	77 mm
09-165	GeoFlex Exhaust HT-650 ø203, per meter	2,79 kg/m	93 mm
09-166	GeoFlex Exhaust HT-650 ø250, per meter	3,53 kg/m	115 mm
09-169	GeoFlex Exhaust HT-650 ø315, per meter	4,35 kg/m	139 mm

Available in lengths of 1 to 10 m

**GeoFlex Exhaust HT-1100 (-60°C to +900°C - briefly 1100°C)**

**3 ply special high temp-weave/stainless coil**



Use:  
Extraction of for ex. exhaust from  
locomotives, tanks and more with  
very high temperatures.

Art. No.	Description	Weight	Bend
09-140	GeoFlex Exhaust HT-1100 ø102, per meter	2,8 kg/m	64 mm
09-141	GeoFlex Exhaust HT-1100 ø127, per meter	3,43 kg/m	77 mm
09-142	GeoFlex Exhaust HT-1100 ø152, per meter	3,07 kg/m	89 mm
09-143	GeoFlex Exhaust HT-1100 ø160, per meter	3,27 kg/m	94 mm
09-144	GeoFlex Exhaust HT-1100 ø203, per meter	4,03 kg/m	114 mm

Available in lengths of 1 to 10 m

**GeoFlex Standard (-30°C to +140°C)**

**PVC / ALU**



Use:  
Extraction of air, welding smoke and fumes.

Art. No.	Description	Weight	Bend
09-012	GeoFlex Standard ø50, 10 meter pcs	0,14 kg/m	29 mm
09-002	GeoFlex Standard ø82, 10 meter pcs	0,16 kg/m	48 mm
09-003	GeoFlex Standard ø102, 10 meter pcs	0,17 kg/m	59 mm
09-005	GeoFlex Standard ø127, 10 meter pcs	0,21 kg/m	74 mm
09-001	GeoFlex Standard ø152, 10 meter pcs	0,32 kg/m	88 mm
09-004	GeoFlex Standard ø160, 10 meter pcs	0,35 kg/m	93 mm
09-000	GeoFlex Standard ø203, 10 meter pcs	0,46 kg/m	118 mm
09-019	GeoFlex Standard ø254, 10 meter pcs	0,61 kg/m	147 mm

**GeoFlex Weld (-10°C to +60°C - briefly 110°C)**

**PVC / Polyester weave steel coil**



Use:  
Extraction of wood dust, metal dust, oil and petrol fumes.  
Suitable for wood- food- and pharmaceutical industry.

Art. No.	Description	Weight	Bend
09-306	GeoFlex Weld ø80	0,19 kg/m	43 mm
09-307	GeoFlex Weld ø102	0,24 kg/m	54 mm
09-310	GeoFlex Weld ø127	0,32 kg/m	67 mm
09-312	GeoFlex Weld ø152	0,37 kg/m	79 mm
09-313	GeoFlex Weld ø165	0,46 kg/m	86 mm
09-314	GeoFlex Weld ø203	0,60 kg/m	105 mm
09-315	GeoFlex Weld ø250	0,77 kg/m	129 mm

Available in lengths of 2, 3, 4, 5 or 10 m. Price per meter.

**GeoFlex PUR (-40°C to +90°C - briefly 125°C)**

**PUR, antistatic**



Use: Extraction of wood dust, flour dust oil and petrol fumes.  
Suitable for wood- food- and pharmaceutical industry.

Art. No.	Description	Weight	Bend
09-403	GeoFlex PUR ø50	0,37 kg/m	33 mm
09-407	GeoFlex PUR ø80	0,57 kg/m	48 mm
09-408	GeoFlex PUR ø100	0,67 kg/m	58 mm
09-410	GeoFlex PUR ø125	0,83 kg/m	71 mm
09-412	GeoFlex PUR ø150	0,99 kg/m	83 mm
09-412A	GeoFlex PUR ø160	1,05 kg/m	88 mm
09-414	GeoFlex PUR ø200	1,33 kg/m	108 mm
09-415	GeoFlex PUR ø250	1,64 kg/m	133 mm

Available in lengths of 5, 10 or 15 m. Price per meter.

**GeoFlex High (-40°C to +60°C) Black, antistatic**

**EVA**



Use: Extraction of exhaust, dust, air and welding fumes.

Art. No.	Description	Weight	Bend
09-007	GeoFlex High ø32 - up to 20m	0,27 kg/m	80 mm
09-008	GeoFlex High ø38 - up to 20m	0,32 kg/m	100 mm
09-009	GeoFlex High ø51 - up to 20m	0,44 kg/m	150 mm
09-082	GeoFlex High ø64 - up to 15m	0,54 kg/m	250 mm

Lengths: Per meter, up to 20 m. Price per meters

**GeoFlex High (-40°C to +60°C) Yellow, not antistatic**

**EVA**



Art. No.	Description	Weight	Bend
09-020	GeoFlex High ø45 - up to 20m	0,38 kg/m	125 mm
09-010	GeoFlex High ø76 - up to 10m	0,65 kg/m	300 mm

Lengths: Per meter, up to 20 m. Price per. meters

## Connection piece for connecting 2 hoses



Art. No.	Description
57-002	Connecting piece ø80 mm
57-003	Connecting piece ø100 mm
57-001	Connecting piece ø125 mm
57-013	Connecting piece ø150 mm
57-004	Connecting piece ø160 mm
57-005	Connecting piece ø200 mm

## Hose clamps



Art. No.	Description
09-033	Hose clamp ø70 – 90 mm
09-034	Hose clamp ø90 – 110 mm
09-035	Hose clamp ø120 – 140 mm
09-036	Hose clamp ø150 – 170 mm
09-037	Hose clamp ø190 – 210 mm

01-499	Rubber band ø125-160 black
01-498	Rubber band ø200 black

## Quick coupling for medium pressure



Art. No.	Description
05-005	Quick coupling 80V for wall mounting
05-008	Quick coupling 80L hanging
05-006	Quick coupling 100V for wall mounting
05-009	Quick coupling 100L hanging
05-011	Hose piece for quick coupling 80V/L
05-014	Hose piece for quick coupling 100V/L
05-013	Hose piece 80/100 for quick coupling 80V/L
06-400	Quick coupling 80 VL with end cover
06-401	Quick coupling 100 VL with end cover
06-402	Quick coupling 125 VL with end cover
06-403	Quick coupling 150 VL with end cover
06-404	Quick coupling 160 VL with end cover
06-405	Quick coupling 200 VL with end cover
06-409	Switch for Quick coupling
06-410	Hose piece 80 VL
06-411	Hose piece 100 VL
06-412	Hose piece 125 VL
06-413	Hose piece 150 VL
06-414	Hose piece 160 VL
06-415	Hose piece 200 VL
91-285	Quick coupling ø80 VL
91-286	Quick coupling ø100 VL
91-287	Quick coupling ø125 VL
91-288	Quick coupling ø150 VL
91-289	Quick coupling ø160 VL
91-290	Quick coupling ø200 VL

## Hose holder



Art. No.	Description
07-016A	Hose holder ø100/150 mm - wall mounted

## Duct and accessories



Spiro duct



Support Bracket



T-piece



90° bend



45° bend



30° bend



RCL reduction

### Duct

Art. No.	Description
50-002	Spiro duct ø80
50-003	Spiro duct ø100
50-001	Spiro duct ø125
50-004	Spiro duct ø160
50-005	Spiro duct ø200
50-006	Spiro duct ø250
50-007	Spiro duct ø315
50-008	Spiro duct ø400

### Support bracket

Art. No.	Description
07-002	Support bracket FA-80
07-003	Support bracket FA-100
07-001	Support bracket FA-125
07-004	Support bracket FA-160
07-005	Support bracket FA-200
07-006	Support bracket FA-250
07-007	Support bracket FA-315
07-008	Support bracket FA-400

### T-piece

Art. No.	Description
54-022	T-piece 80-80-80
54-032	T-piece 100-80-100
54-033	T-piece 100-100-100
54-012	T-piece 125-80-125
54-013	T-piece 125-100-125
54-011	T-piece 125-125-125
54-042	T-piece 160-80-160
54-043	T-piece 160-100-160
54-015	T-piece 160-125-160
54-044	T-piece 160-160-160
54-052	T-piece 200-80-200
54-053	T-piece 200-100-200
54-016	T-piece 200-125-200
54-054	T-piece 200-160-200
54-055	T-piece 200-200-200
54-062	T-piece 250-80-250
54-063	T-piece 250-100-250
54-017	T-piece 250-125-250
54-064	T-piece 250-160-250
54-065	T-piece 250-200-250

### T-piece

Art. No.	Description
54-066	T-piece 250-250-250
54-074	T-piece 315-160-315
54-075	T-piece 315-200-315
54-076	T-piece 315-250-315
54-077	T-piece 315-315-315
54-088	T-piece 400-400-400

### Bends

Art. No.	Description
51-002	90° bend ø80 mm
51-003	90° bend ø100 mm
51-001	90° bend ø125 mm
51-004	90° bend ø160 mm
51-005	90° bend ø200 mm
51-006	90° bend ø250 mm
51-007	90° bend ø315 mm
51-008	90° bend ø400 mm

52-002	45° bend ø80 mm
52-003	45° bend ø100 mm
52-001	45° bend ø125 mm
52-004	45° bend ø160 mm
52-005	45° bend ø200 mm
52-006	45° bend ø250 mm
52-007	45° bend ø315 mm
52-008	45° bend ø400 mm

53-002	30° bend ø80 mm
53-003	30° bend ø100 mm
53-001	30° bend ø125 mm
53-004	30° bend ø160 mm
53-005	30° bend ø200 mm
53-006	30° bend ø250 mm
53-007	30° bend ø315 mm
53-008	30° bend ø400 mm

### Reductions NP/NP

Art. No.	Description
55-032	Reduction 100-80
55-012	Reduction 125-80
55-013	Reduction 125-100
55-042	Reduction 160-80
55-043	Reduction 160-100

## Duct and accessories



Saddle



Conn. nipple



Conn. muff



End cap NP



Adjustment damper



Shut-off damper



Outlet hoods

### Reductions NP/NP

Art. No.	Description
55-041	Reduction 160-125
55-044	Reduction 160-150
55-053	Reduction 200-100
55-051	Reduction 200-125
55-054	Reduction 200-160
55-061	Reduction 250-125
55-064	Reduction 250-160
55-065	Reduction 250-200
55-074	Reduction 315-160
55-075	Reduction 315-200
55-076	Reduction 315-250
55-085	Reduction 400-200
55-086	Reduction 400-250
55-087	Reduction 400-315

### Saddle

Art. No.	Description
62-022	Saddle 80-80
62-032	Saddle 100-80
62-033	Saddle 100-100
62-012	Saddle 125-80
62-013	Saddle 125-100
62-011	Saddle 125-125
62-042	Saddle 160-80
62-043	Saddle 160-100
62-041	Saddle 160-125
62-044	Saddle 160-160
62-052	Saddle 200-80
62-053	Saddle 200-100
62-051	Saddle 200-125
62-054	Saddle 200-160
62-055	Saddle 200-200
62-062	Saddle 250-80
62-063	Saddle 250-100
62-061	Saddle 250-125
62-064	Saddle 250-160
62-065	Saddle 250-200
62-066	Saddle 250-250
62-073	Saddle 315-100

### Saddle

Art. No.	Description
62-071	Saddle 315-125
62-074	Saddle 315-160
62-075	Saddle 315-200
62-076	Saddle 315-250
62-077	Saddle 315-315
62-081	Saddle 400-125
62-084	Saddle 400-160
62-085	Saddle 400-200
62-086	Saddle 400-250
62-087	Saddle 400-315

### Nipples and muffs

Art. No.	Description
57-002	Connecting nipple 80 mm
57-003	Connecting nipple 100 mm
57-001	Connecting nipple 125 mm
57-004	Connecting nipple 160 mm
57-005	Connecting nipple 200 mm
57-006	Connecting nipple 250 mm
57-007	Connecting nipple 315 mm
57-008	Connecting nipple 400 mm

58-002	Connecting muff 80 mm
58-003	Connecting muff 100 mm
58-001	Connecting muff 125 mm
58-004	Connecting muff 160 mm
58-005	Connecting muff 200 mm
58-006	Connecting muff 250 mm
58-007	Connecting muff 315 mm
58-008	Connecting muff 400 mm

59-002	End cap nipple 80 mm
59-003	End cap nipple 100 mm
59-001	End cap nipple 125 mm
59-004	End cap nipple 160 mm
59-005	End cap nipple 200 mm
59-006	End cap nipple 250 mm
59-007	End cap nipple 315 mm
59-008	End cap nipple 400 mm

60-002	End cap muff 80 mm
60-003	End cap muff 100 mm
60-001	End cap muff 125 mm
60-004	End cap muff 160 mm

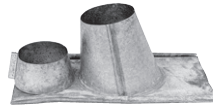
## Duct and accessories



End cap MF



Sliding damper



Roof transition



Silencer



Louvred grille

### Nipples and muff

Art. No.	Description
60-005	End cap muff 200 mm
60-006	End cap muff 250 mm
60-007	End cap muff 315 mm
60-008	End cap muff 400 mm

### Damper

Art. No.	Description
61-002	Adjustment damper 80 mm
61-003	Adjustment damper 100 mm
61-001	Adjustment damper 125 mm
61-004	Adjustment damper 160 mm
61-005	Adjustment damper 200 mm
61-006	Adjustment damper 250 mm
61-007	Adjustment damper 315 mm
61-008	Adjustment damper 400 mm

61-022	Shut-off damper 80 tight
61-023	Shut-off damper 100 tight
61-021	Shut-off damper 125 tight
61-024	Shut-off damper 160 tight
61-025	Shut-off damper 200 tight
61-026	Shut-off damper 250 tight
61-027	Shut-off damper 315 tight
61-028	Shut-off damper 400 tight

61-102	Sliding damper 80 mm
61-103	Sliding damper 100 mm
61-101	Sliding damper 125 mm
61-086	Sliding damper 160 mm
61-087	Sliding damper 200 mm
61-106	Sliding damper 250 mm
61-107	Sliding damper 315 mm

### Roof transitions

Art. No.	Description
08-070	Roof transition 100-0°
08-071	Roof transition 125-0°
08-072	Roof transition 160-0°
08-073	Roof transition 200-0°
08-074	Roof transition 250-0°
08-075	Roof transition 315-0°
08-076	Roof transition 400-0°

### Roof transitions

Art. No.	Description
08-077	Roof transition 100-1-20°
08-078	Roof transition 125-1-20°
08-079	Roof transition 160-1-20°
08-080	Roof transition 200-1-20°
08-081	Roof transition 250-1-20°
08-082	Roof transition 315-1-20°
08-083	Roof transition 400-1-20°

(inform roof angle!)

### Outlet hoods

Art. No.	Description
08-029	Deflector Cap 100 mm
08-027	Deflector Cap 125 mm
08-030	Deflector Cap 160 mm
08-031	Deflector Cap 200 mm
08-032	Deflector Cap 250 mm
08-033	Deflector Cap 315 mm
08-034	Deflector Cap 400 mm

### Silencer

Art. No.	Description
63-013	Silencer ø100 L=600
63-022	Silencer ø125 L=600
63-024	Silencer ø160 L=900
63-025	Silencer ø200 L=900
63-026	Silencer ø250 L=900
63-027	Silencer ø315 L=900
63-028	Silencer ø400 L=900

### Louvred grille

Art. No.	Description
64-000	Louvred grille ø100 mm
64-001	Louvred grille ø125 mm
64-002	Louvred grille ø160 mm
64-003	Louvred grille ø200 mm
64-004	Louvred grille ø250 mm
64-005	Louvred grille ø315 mm
64-006	Louvred grille ø400 mm

## SALES AND DELIVERY TERMS

### 1. In general:

1.1 These conditions of sale and delivery shall apply to all quotes, orders, order confirmations and deliveries from GEOVENT A/S (hereinafter GEOVENT) unless otherwise agreed in writing.  
1.2 The purchasing/ordering customer is hereinafter referred to as the "Purchaser". GEOVENT and the Purchaser is jointly referred to as "Parties" or "the Parties". No end Purchaser/end user can be treated more favourably than the Purchaser pursuant to these conditions.

### 2. Conclusion of agreements:

2.1 GEOVENT will not be contractually bound towards the Purchaser until the Purchaser has received GEOVENT's written order confirmation or delivery has been effected. This applies regardless whether a quote or a similar statement has been provided, and regardless whether the Purchaser has accepted such quote or statement.  
2.2 The Purchaser is responsible for the correctness of the information and specifications in orders, including specifications in drawings and similar documents.

### 3. Power of attorney:

3.1 No individual person/company, who is an agent, representative or broker, is empowered to commit GEOVENT without prior written agreement.

### 4. Prices:

4.1 All prices in price lists are current prices, excluding VAT, other public duties and transport packaging.  
4.2 GEOVENT may, at any time and without notice, adjust prices in price lists, catalogues and quotes based on changes in exchange rates, duties, insurance, freight and purchase costs.  
4.3 After signing of an agreement, GEOVENT is furthermore entitled to amend the price offered, in case price increases of more than 5% occur in manufacturing and delivery costs in the period from submission of the order confirmation and until delivery. This applies for instance, but not exclusively, to exchange rate fluctuations, duties, insurance, freight and purchase costs.  
4.4 GEOVENT reserves the right to charge a handling fee of EUR 20.00 for orders below EUR 70.00. Likewise, GEOVENT reserves the right to charge an invoicing fee.

### 5. Place and time of delivery:

5.1 Deliveries are subject to the terms stated in our order confirmation, either Incoterms 2010 DAP to "the confirmed delivery address", after which the Purchaser carries the risk and any additional costs, or Incoterms 2010 EXW, DK-Løgstrop after which – when the goods is ready for delivery – carries the risk and all delivery costs, including freight charges. In due time, When the delivery is EXW, the purchaser is liable to inform GEOVENT A/S of the transport method, which he intends to make use of. Otherwise, GEOVENT A/S is entitled to select transport method and transport route.  
5.2 If a fixed delivery time has been agreed, GEOVENT is entitled to postpone delivery in the following situations: a) in case of force majeure, cf. clause 10; b) in case of delay caused by GEOVENT's sub-suppliers, transporters and other third parties; and c) unusual weather and climate impact; d) industrial conflicts, regardless of the reason; e) public orders or injunctions, which GEOVENT should not have foreseen at the time of conclusion of the agreement.  
5.3 In case of significant delay, the Purchaser is entitled to terminate the agreement with immediate effect. Significant delay cannot be demonstrated until at least 30 days after the agreed time of delivery.  
5.4 In case the Purchaser does not accept delivery at the time of delivery, including failure to perform its collection obligation, GEOVENT is entitled to terminate the agreement with immediate effect and claim compensation.  
5.5 Furthermore, GEOVENT is entitled to sell or stock the products at the Purchaser's expense. When storing the products, they are stored at the Purchaser's risk. The return of products and packaging is conditional upon prior written agreement and will be at the Purchaser's expense. Freight and pallets, boxes or similar packaging, which is debited separately, will not be credited. GEOVENT reserves the right to charge a return fee for returned goods that are not defective on the part of GEOVENT or our suppliers.

### 6. Payment and default interest:

6.1 The purchase price falls due for payment on the agreed due date. This applies even if delivery cannot take place as agreed if this is due to matters for which the Purchaser is responsible.  
6.2 If the Purchaser does not pay in due time and such delay is not caused by matters for which GEOVENT is responsible, GEOVENT is entitled to charge default interest of 1.5% per month or fraction of a month from the due date, and to charge payment for all invoiced and delivered goods, regardless of any previously agreed credit terms, as well as GEOVENT is entitled to terminate the agreement with immediate effect.  
6.3 In the event of Purchaser's payment default, GEOVENT is furthermore entitled to withhold any additional deliveries to the Purchaser. This applies even if the deliveries are mutually interrelated.  
6.4 GEOVENT is at any time entitled to claim sufficient security from the Purchaser for payment of the purchase price and other costs.  
6.5 GEOVENT is entitled, in total or in part, to transfer any claims against the Purchaser to a third party without obtaining a separate consent from the Purchaser.

### 7. Ownership reservation:

7.1 GEOVENT maintains ownership of the goods until the full purchase price has been paid, with the addition of interest and costs and any expenses relating to the goods paid by GEOVENT on behalf of the Purchaser.  
7.2 Until the right of ownership has passed to the Purchaser, the products shall be insured by the Purchaser and stored separately. The Purchaser undertakes not to move, pledge, lease, lend out or in any other way dispose of the goods without GEOVENT's consent until ownership has passed to the Purchaser. Furthermore, the Purchaser cannot make any amendments of the delivered goods.

### 8. Complaints, defects and duty of inspection:

8.1 The goods are only covered by a guarantee if the Purchaser has received a separate guarantee document, as well as such guarantee is only valid for one year from delivery. In any case, the guarantee does not cover electric cables, hydraulic cables, pneumatic cables or hoses for extraction, wearing parts or normal wear and tear.  
8.2 In addition to this, GEOVENT is only responsible for products that are proven to be substantially defective or faulty, due to inadequate manufacturing or due to the use of faulty materials supplied by GEOVENT.  
8.3 GEOVENT's defects liability only applies if the goods are stored safely and have been used correctly and in a normal manner by the Purchaser in accordance with our specifications. GEOVENT cannot be held liable for any errors and defects caused by inadequate maintenance, incorrect installation by the Purchaser, for changes made without our written consent, or for repairs, which the Purchaser has made in an imperfect way.  
8.4 The Purchaser is requested to follow any user instructions, catalogues and brochures for the delivered goods and to obtain any required information about the scope of application and the correct use of the delivered goods.  
8.5 Immediately upon delivery or receipt, and always before the goods are put into use, processed or incorporated, the Purchaser must examine and inspect the delivered goods in order to ensure that they are operational and in accordance with the delivered descriptions/specifications.  
8.6 The Purchaser must immediately and no later than eight days after delivery submit a complaint of any defects. If the Purchaser does not comply with this deadline, the right to claim notice of defects is lost.  
8.7 If the goods have any material errors or defects, GEOVENT is obliged and entitled – at its own option – to remedy the defect, make a redelivery, offer a proportionate reduction of the price or to claim compensation, cf., however, clause 14.3. Transport costs, insurance costs, travelling expenses, installation costs and other costs in connection with the repair or a replacement supply are to be paid by the Purchaser.

### 9. Product liability:

GEOVENT is only liable for personal injury or material damage caused by our goods, in case it can be substantiated that the injury or damage was caused by fault or negligence of a product supplied by GEOVENT, and if it is substantiated that the product is defective, that the injury or damage was caused by this defect, and that there is causal relation between the injury or damage and the defect. GEOVENT cannot be held liable in damages for any operating loss, loss of time, loss of profits, loss of earnings or any indirect or consequential loss.

### 10. Force majeure:

10.1 If delivery, timely delivery or faultless delivery is prevented or delayed due to events beyond GEOVENT's control, including but not limited to industrial conflicts, interruptions of operation, epidemics, transport difficulties or other third-party failure, including a supplier's or (sub)manufacturer's insolvency or similar, GEOVENT may, without incurring any responsibility, postpone delivery or cancel the Purchaser's order in total or in part at its own option by notifying the Purchaser as soon as possible.

### 11. Product information:

11.1 The technical specifications and other indicated measurements in catalogues are of guiding character, and GEOVENT accepts no responsibility for errors in this kind of documentation. All information and data stated in this documentation, including price lists, are only binding to the extent that the agreement explicitly refers to such specifications.

### 12. Protection of rights:

12.1 The Purchaser does not obtain any right to the industrial rights of GEOVENT via this present agreement, and the Purchaser is unauthorised to use any information about the product and/or the actual product in such a way that GEOVENT's rights are violated. The Purchaser is responsible for ensuring that products manufactured pursuant to the Purchaser's directions do not infringe the rights of a third party.

### 13. Drawings and descriptions:

13.1 All drawings and technical documents regarding the material or the preparation thereof, which have been passed on to the Purchaser before or after conclusion of the agreement, belong to GEOVENT and cannot be used, copied, reproduced or passed on or in any other way be communicated to a third party without our prior acceptance. At our request, such material must be returned.

### 14. Exclusion and limitation of liability

14.1 If not otherwise provided in the agreement between the Parties, GEOVENT is liable in damages pursuant to the ordinary rules of Danish law. GEOVENT cannot be held liable in damages for any operating loss, loss of time, loss of profits, loss of earnings or any indirect or consequential loss.  
14.2 GEOVENT's total liability in damages, including defects liability and product liability, is, however, limited to a maximum amount of DKK 5,000,000 where legislation allows.  
14.3 However, liability in damages for any defects and/or delays can never exceed the invoice amount for the delivery to which any liability relates.  
14.4 Any damage which the Purchaser intends to hold GEOVENT responsible for must immediately be claimed in writing towards GEOVENT and no later than one year after the damage has occurred.

### 15. Disputes

15.1 Any dispute arising between the Parties shall be settled out of court. In the event that the dispute cannot be settled out of court, the dispute shall be settled by arbitration, unless GEOVENT determines that the matter is to be settled by the ordinary courts of law. All disputes shall be settled in accordance with these General terms and conditions of sale and delivery and pursuant to Danish law.  
15.2 If the matter is settled by the ordinary courts of law, proceedings shall be commenced in the venue in which GEOVENT's headquarters are located, without having regard to where the Purchaser resides or has its habitual place of residence.



Process	Air flow per outlet [m <sup>3</sup> /h]	Hose dimension [mm]	Capture velocity [m/s]	Air velocity in duct on unfiltered side [m/s]	Filter necessary	Air velocity in outlet duct [m/s]	Chimney height [m]	Suitable Geovent products	Remark
Grinding dust bench grinder/belt grinder	150	80	-	20 - 25	Yes	8 - 10	2 m above roof ridge	Ask	
Grinding dust rotary grinder and more	100	28 - 32	-	20 - 25	Yes	8 - 10	2 m above roof ridge	HVU	
Welding smoke non-alloyed steel(TIG)	1000	160	0,5	10 - 15	No	8 - 10	2 m above roof ridge	WING, COMPACT, MEF and GeoFilter GFB2	Demand control recommended
Welding smoke non-alloyed steel (MMA, FCA, MIG/MAG)	1000	160	0,5	10 - 15	Yes, depending on local regulation	8 - 10	2 m above roof ridge	WING, COMPACT, MEF and GeoFilter GFB2	Demand control recommended
Welding smoke alloyed steel (TIG)	1000	200	0,5	10 - 15	No	8 - 10	2 m above roof ridge	WING, COMPACT, MEF and GeoFilter GFB2	Demand control recommended
Welding smoke alloyed steel(MMA, FCA, MIG/MAG)	1500	200	0,5	10 - 15	Yes	8 - 10	2 m above roof ridge	WING, COMPACT, MEF and GeoFilter GFB2	Demand control recommended
Welding smoke aluminium (MIG/MAG, TIG)	1500	200	0,5	10 - 15	Yes, depending on local regulation	8 - 10	2 m above roof ridge	WING, COMPACT, MEF and GeoFilter GFB2	Demand control recommended
Laser/plasma cutting	Depending on size of cutting table [m <sup>2</sup> ]	-	1-2 m/s at cutting place	15 - 20	Yes	8 - 10	2 m above roof ridge	MEF, GeoFilter GFB2 and GFH	
Exhaust gases - motor < 3000 cm <sup>2</sup>	400	100	-	10 - 12	No	5 - 8	2 m above roof ridge	Hose reels GTS/GTE or Channel Duct 25	Only idle operation
Exhaust gases Motor > 3000cm <sup>2</sup>	1000	150	-	10 - 12	No	5 - 8	2 m above roof ridge	Hose reels GTS/GTE or Channel Duct 25	Only idle operation
Exhaust gases Test stand	2000	200	-	10 - 12	No	5 - 8	2 m above roof ridge	GeoFlex HT and AU2 hood	
Fumes from organic solvents and glue	2000	200	0,5	10 - 12	No	5 - 8	1 m above roof ridge	Hose reels GTS/GTE or Channel Duct 25	Fan must be EEXe-II T3
Oil mists, CNC milling machines	600	160	0,3	10 - 15	Yes	5 - 8	1 m above roof ridge	GeoFilter OIL 160	One filter per extraction point
Oil mists, conventional machines	200	100	0,3	10 - 15	Yes	5 - 8	1 m above roof ridge	GeoFilter OIL100 and ASA-3/ASA4	One filter per extraction point
Soldering fumes	200	100	0,3	10 - 12	No	5 - 8	1 m above roof ridge	FLEXI or MINI	
Laboratory/hospital	Enquire	Enquire	Enquire	10 - 12	No	5 - 8	1 m above roof ridge	FLEXI	



[www.vent24.com.pl](http://www.vent24.com.pl) - @: [techvent24@gmail.com](mailto:techvent24@gmail.com) - telefon +48 799 923 945

Geovent A/S · Hovedgaden 86 · DK-8831 Løgstrup · Tlf.: (+45) 8664 2211 · [www.geovent.com](http://www.geovent.com) · [salg@geovent.dk](mailto:salg@geovent.dk)